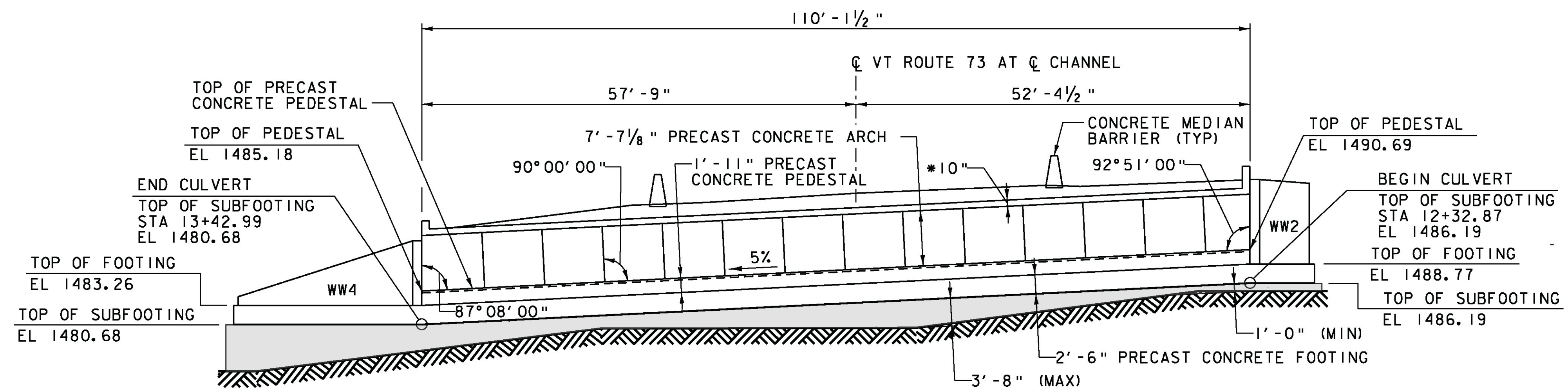


ABUTMENT NO 1 ELEVATION
SCALE 1" = 10'-0"



* - FOR ESTIMATING PURPOSES ONLY. ACTUAL DIMENSIONS SHALL BE DETERMINED BY THE FABRICATOR.

ABUTMENT NO 2 ELEVATION
SCALE 1" = 10'-0"



PROJECT NAME:	ROCHESTER
PROJECT NUMBER:	ER STP 0162(19)
FILE NAME:	zllc334sub.dgn
PROJECT LEADER:	S.E. BURBANK
DESIGNED BY:	E.A. FIALA
BR 13 ABUTMENT ELEVATIONS	
PLOT DATE:	8/19/2013
DRAWN BY:	E.A. FIALA
CHECKED BY:	L.S. CHERVINCKY
SHEET	42 OF 238