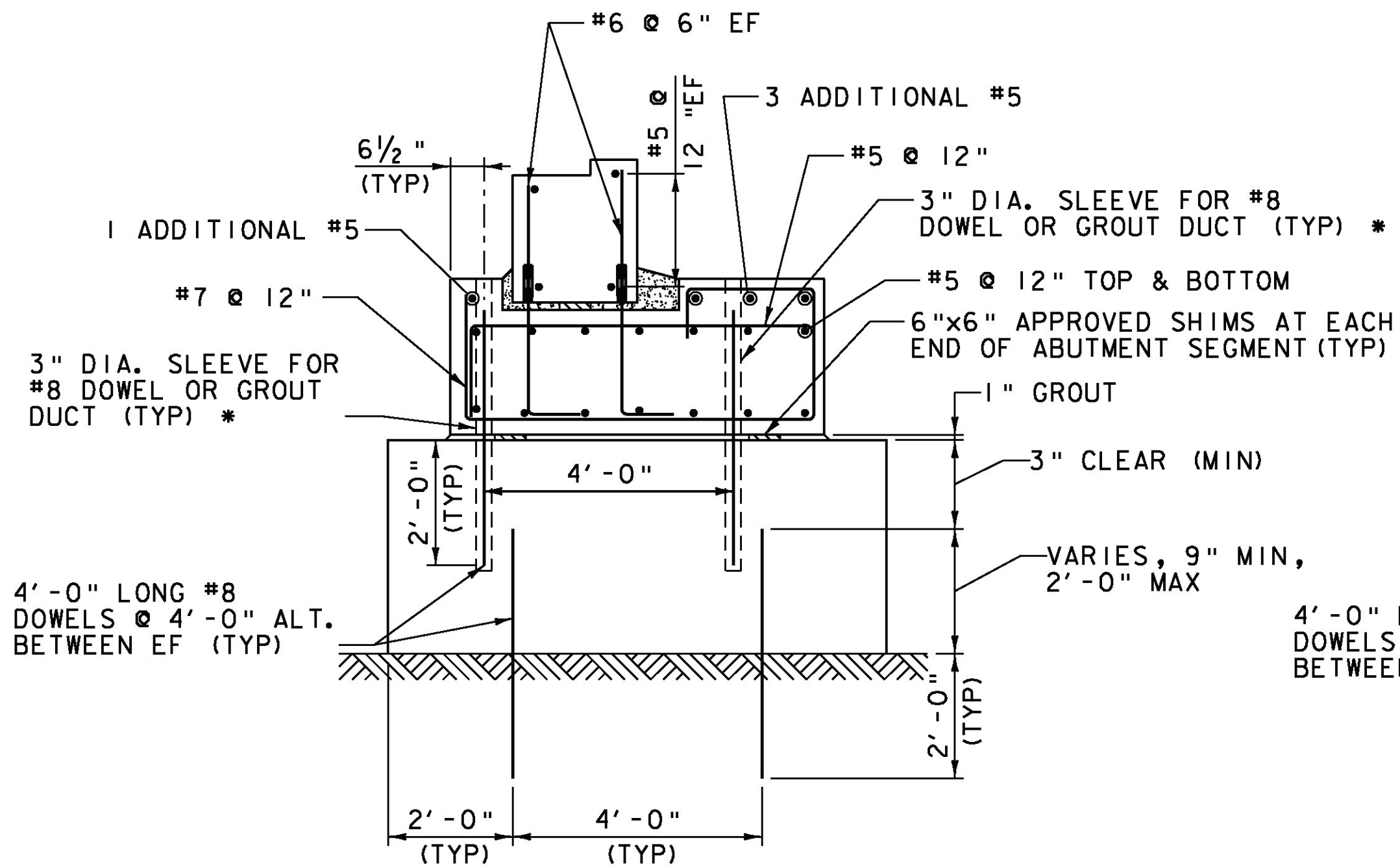
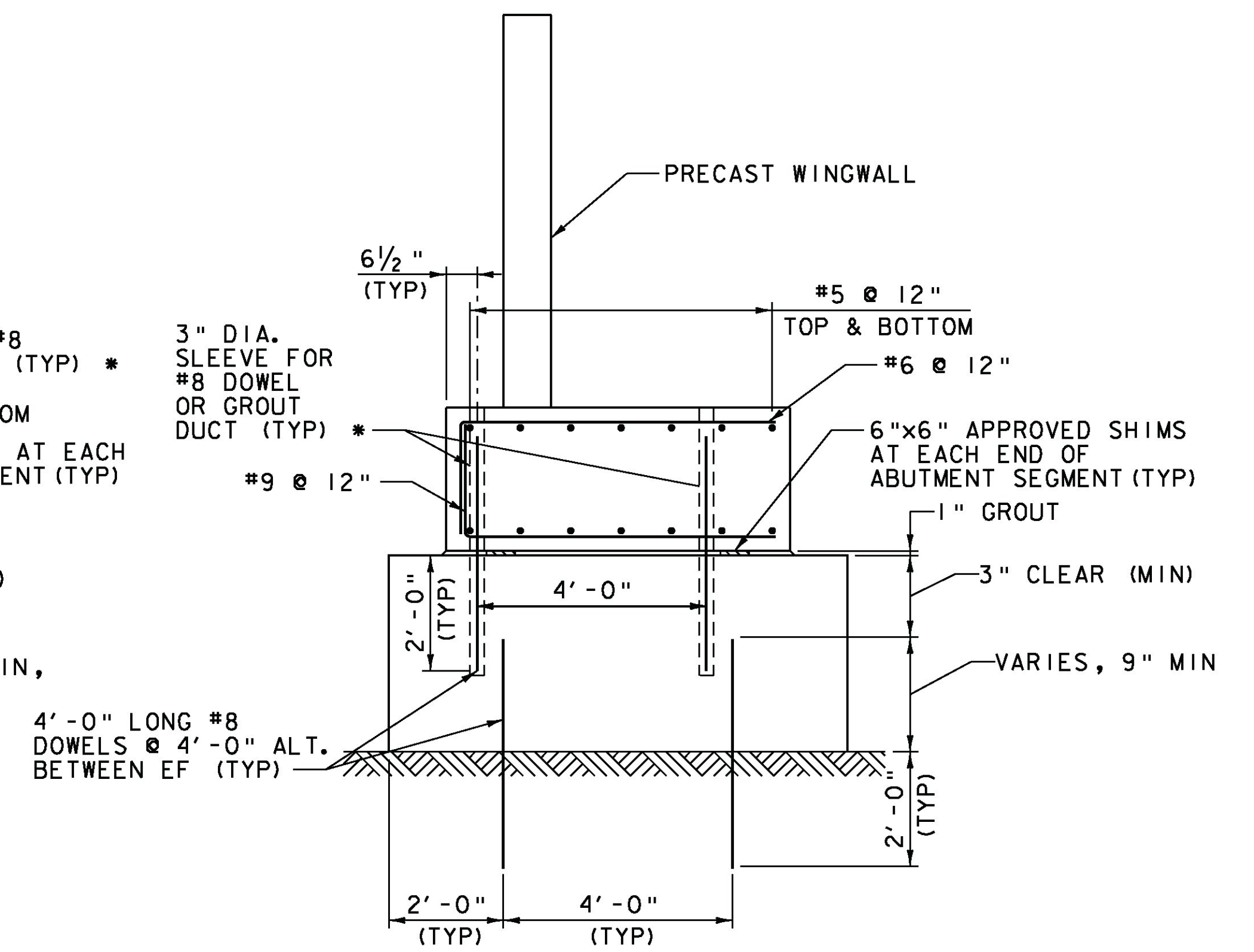


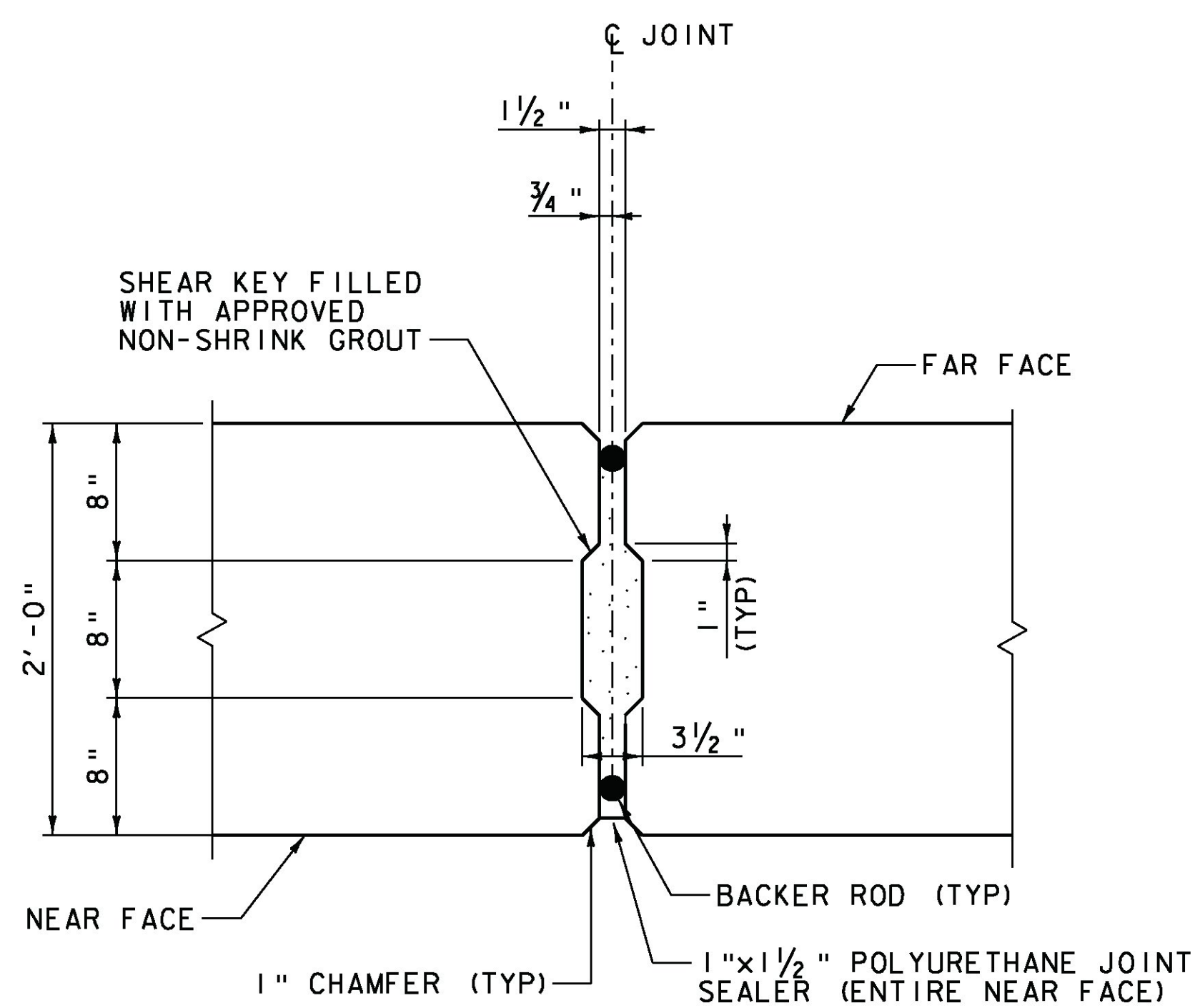
SECTION A-A
ABUTMENT NO 1 REINFORCING
SCALE 1/2" = 1'-0"



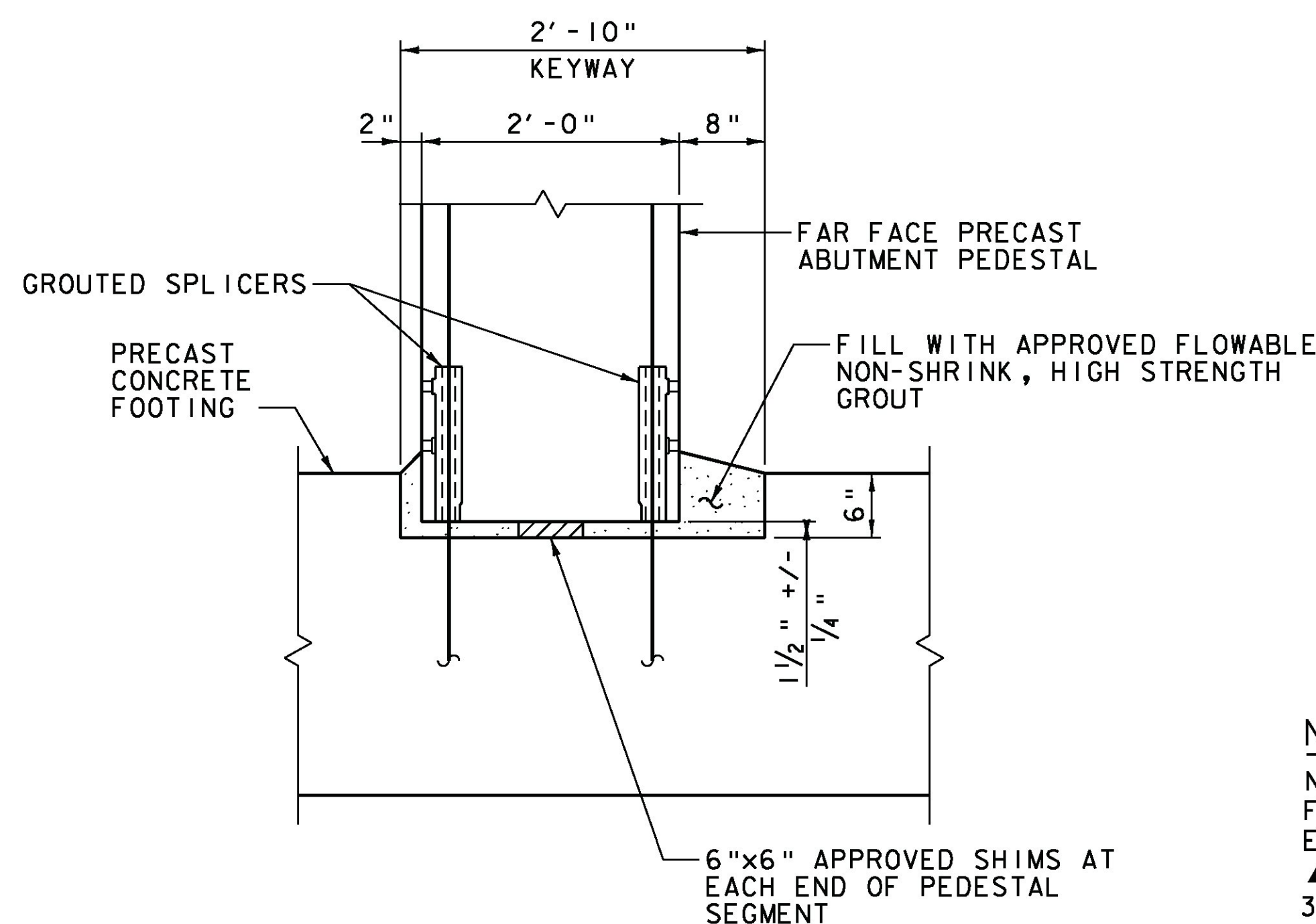
SECTION B-B
ABUTMENT NO 2 REINFORCING
SCALE 1/2" = 1'-0"



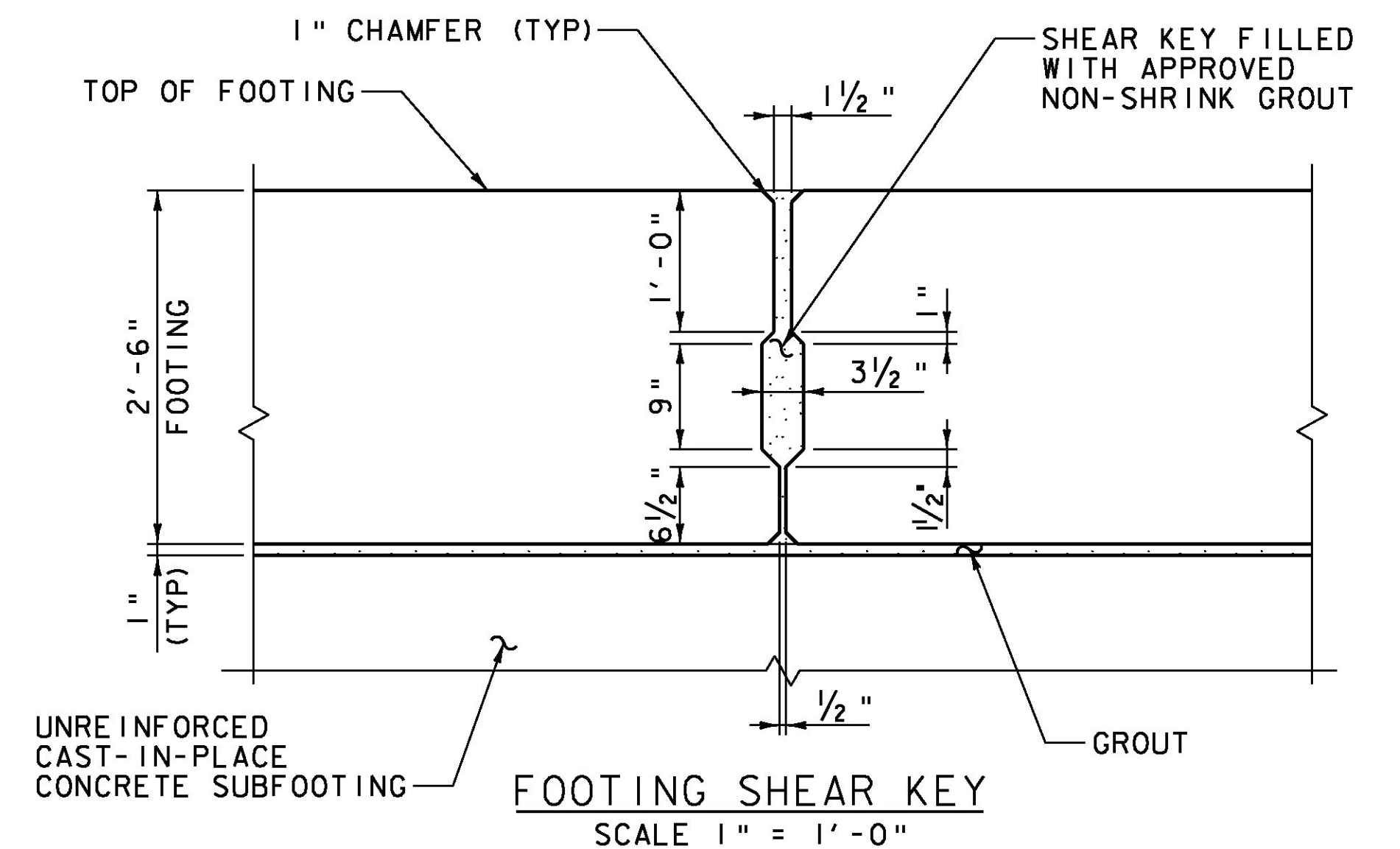
SECTION C-C
TYPICAL WINGWALL REINFORCING
SCALE 1/2" = 1'-0"



PEDESTAL VERTICAL JOINT
SCALE 1/2" = 1'-0"



PEDESTAL FOOTING CONNECTION
SCALE 1" = 1'-0"



FOOTING SHEAR KEY
SCALE 1" = 1'-0"

NOTE:

NF = NEAR FACE
FF = FAR FACE
EF = EACH FACE
▲ = CUT TO FIT IN FIELD
3" CLEAR, UNLESS OTHERWISE SPECIFIED ON THE PLANS.
2'-2" BAR LAP UNLESS OTHERWISE SPECIFIED ON THE PLANS.

NOTE: ALL COSTS ASSOCIATED WITH INSTALLING JOINTS, SHEAR KEYS, AND CONNECTIONS WILL BE CONSIDERED INCIDENTAL TO CONTRACT ITEM 540.10.

PROJECT NAME: ROCHESTER
PROJECT NUMBER: ER STP 0162(19)

FILE NAME: zllc334sub.dgn
PROJECT LEADER: G.S. GOODRICH
DESIGNED BY: E.A. FIALA
BR 13 FOOTING REINFORCEMENT

PLOT DATE: 8/19/2013
DRAWN BY: E.A. FIALA
CHECKED BY: L.S. CHERVINCKY
SHEET 41 OF 238