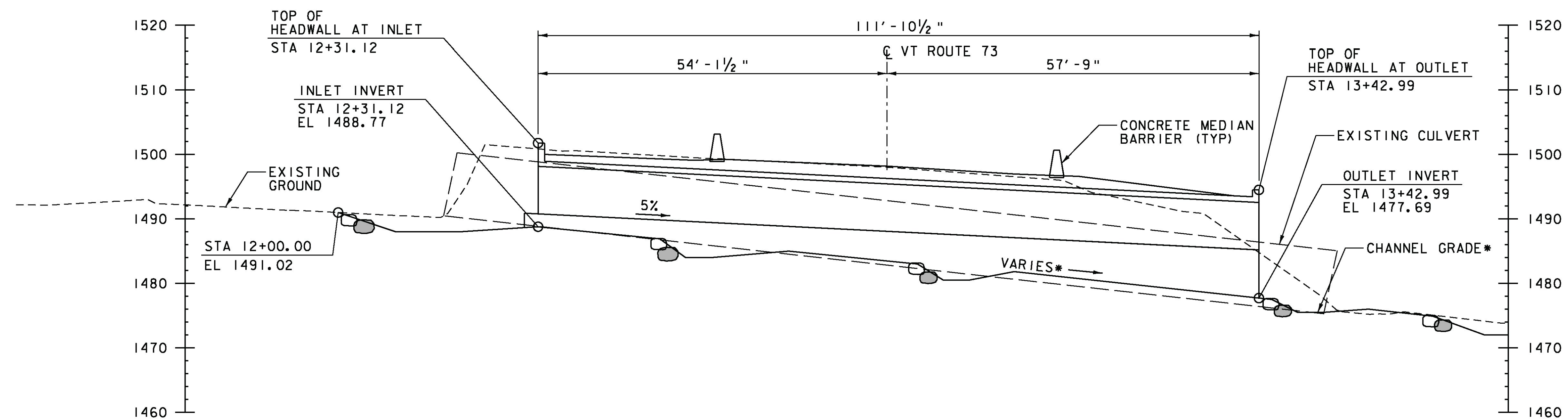


PLAN
SCALE 1" = 10'-0"
10 0 10



* SEE CHANNEL PROFILE SHEET

LONGITUDINAL SECTION ALONG CHANNEL LINE

SCALE 1" = 1'-0"

PROJECT NAME:	ROCHESTER
PROJECT NUMBER:	ER STP 0162(19)
FILE NAME:	zllc334pe.dgn
PROJECT LEADER:	S.E. BURBANK
DESIGNED BY:	E.A. FIALA
BR 13 PLAN AND LONGITUDINAL SECTION	CHECKED BY: S.E. BURBANK
	PLOT DATE: 8/19/2013
	DRAWN BY: E.A. FIALA
	SHEET 38 OF 238

