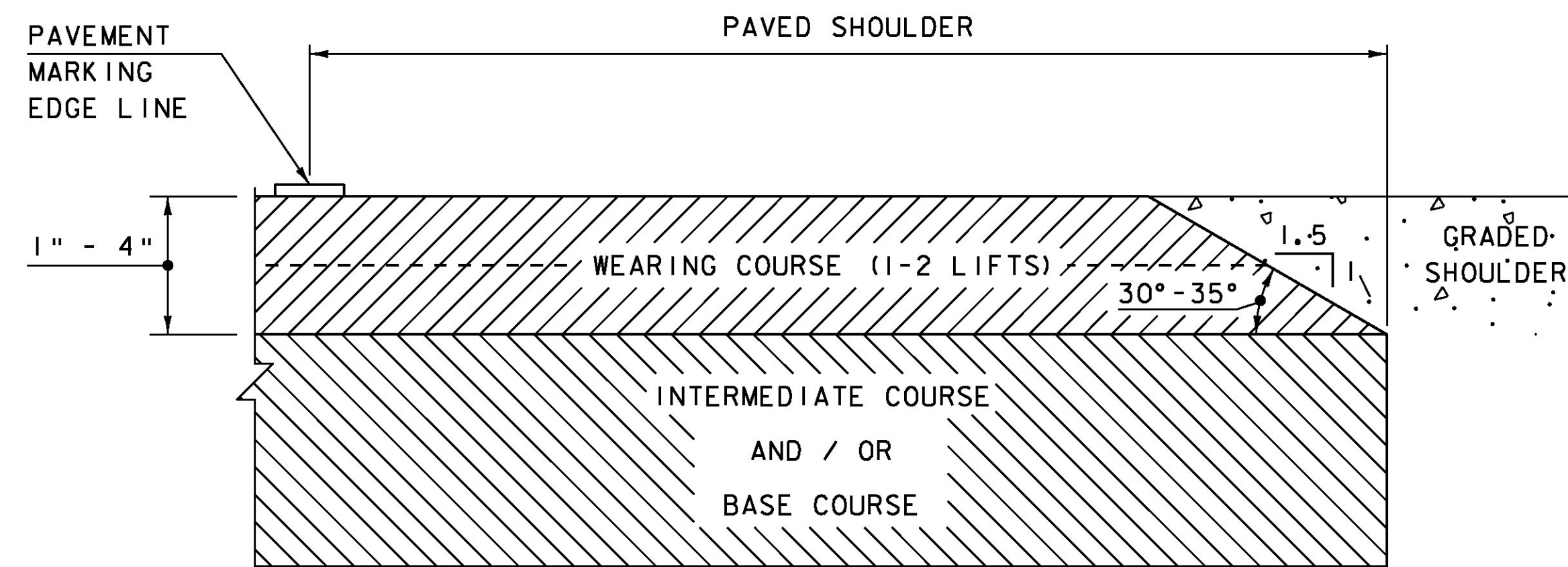


\* (2) - 1 1/2" LIFTS OF TYPE IVS OVER  
 (1) - 3" LIFT OF TYPE IIS  
 \*\* SEE BANKING DIAGRAM ON PROFILE SHEET.

**VT 73 TYPICAL ROADWAY SECTION**  
 SCALE 1/4" = 1'-0"

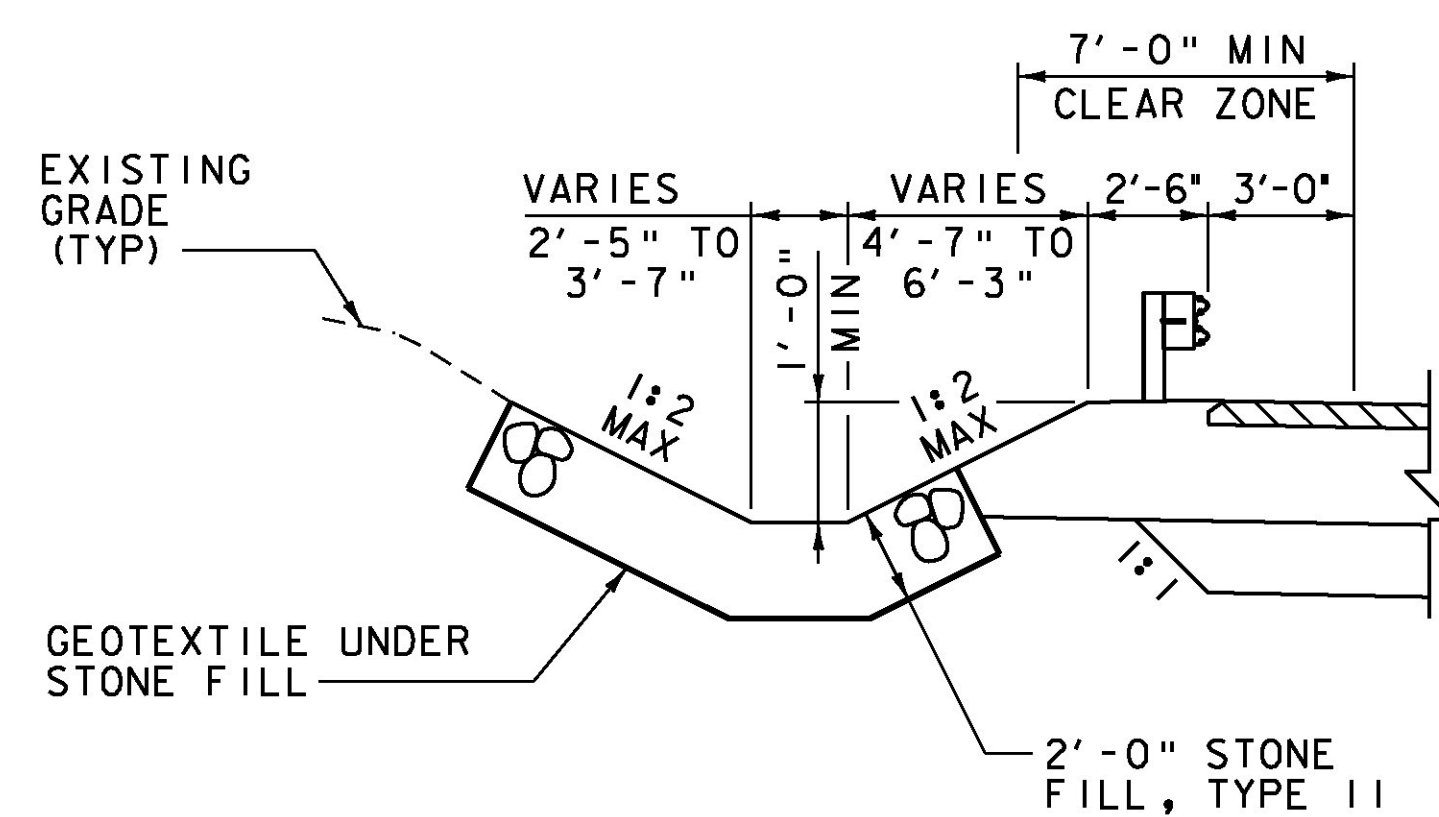
**MATERIAL TOLERANCES**  
 (IF USED ON PROJECT)

SURFACE	
PAVEMENT (TOTAL THICKNESS)	+/- 1/4"
SUBBASE	+/- 1"
SAND BORROW	+/- 1"

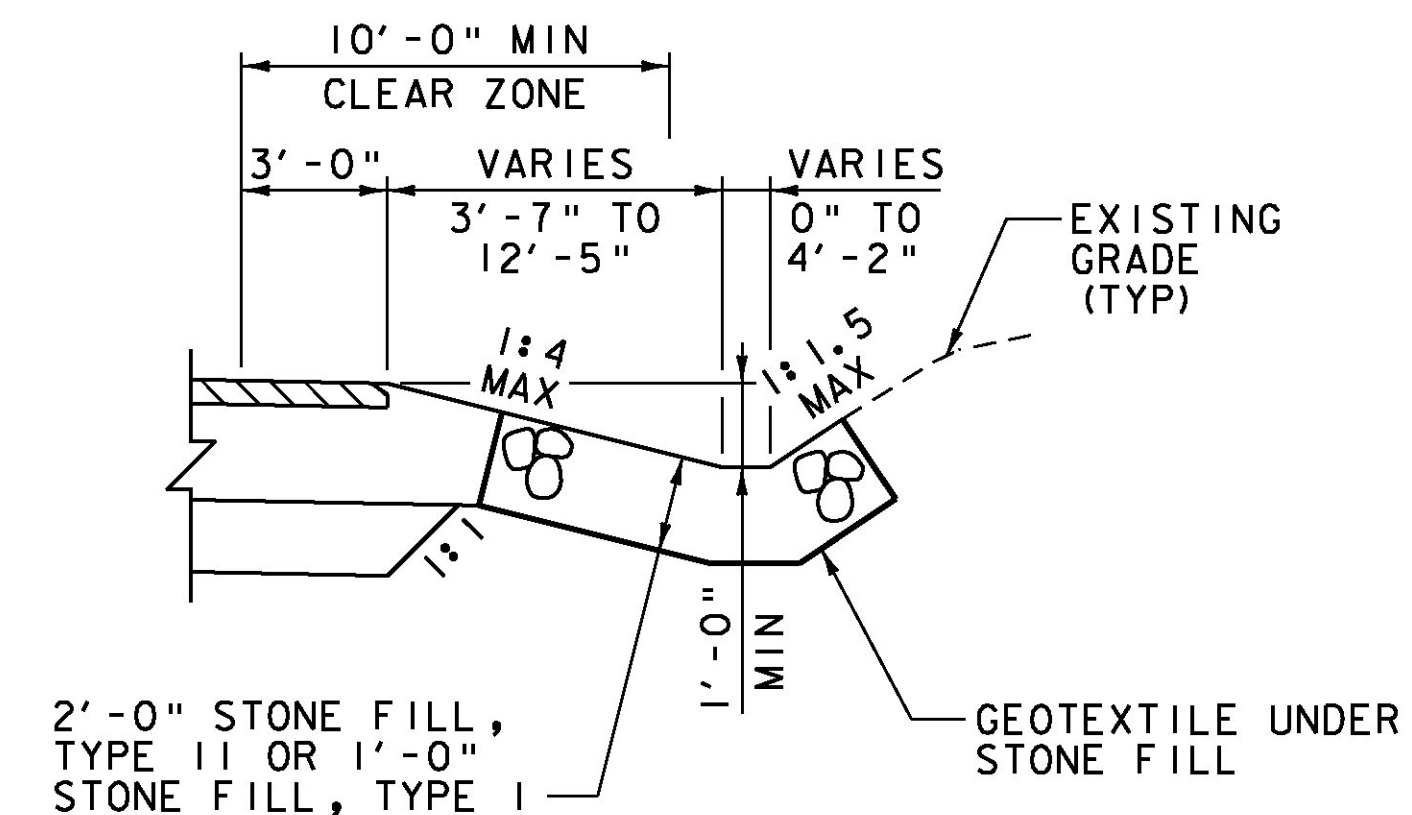


**SAFETY EDGE DETAIL**  
 NOT TO SCALE

NOTE: LEVELING COURSE MAY INCLUDE THE "SAFETY EDGE" AT THE CONTRACTOR'S CHOICE.



**VT 73 TYPICAL DITCH SECTION, LT**  
 SCALE 1/4" = 1'-0"



**VT 73 TYPICAL DITCH SECTION, RT**  
 SCALE 1/4" = 1'-0"



PROJECT NAME: ROCHESTER	PLOT DATE: 8/19/2013
PROJECT NUMBER: ER STP 0162(19)	DRAWN BY: C.L. CILLEY
FILE NAME: zllc334typ.dgn	DESIGNED BY: C.L. CILLEY
PROJECT LEADER: S.E. BURBANK	CHECKED BY: D.M. PECK
BR 13 TYPICAL ROADWAY SECTIONS	SHEET 16 OF 238