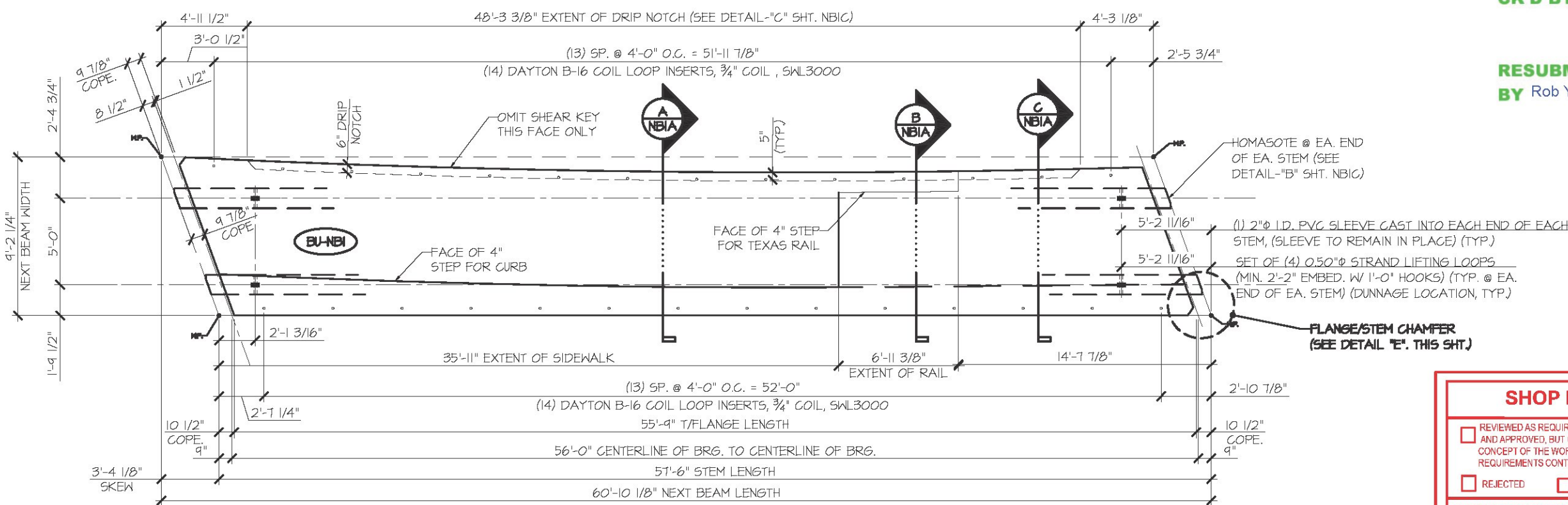


Vermont Agency of Transportation
RECEIVED

CK'D BY **OK'D BY** Rob Young

May 1, 2015

RESUBMIT No **Approved**
BY Rob Young DATE 05/04/2015



1 NBIA
DIMENSIONAL PLAN VIEW IN FORM
3/8\"/>

SHOP DRAWING REVIEW

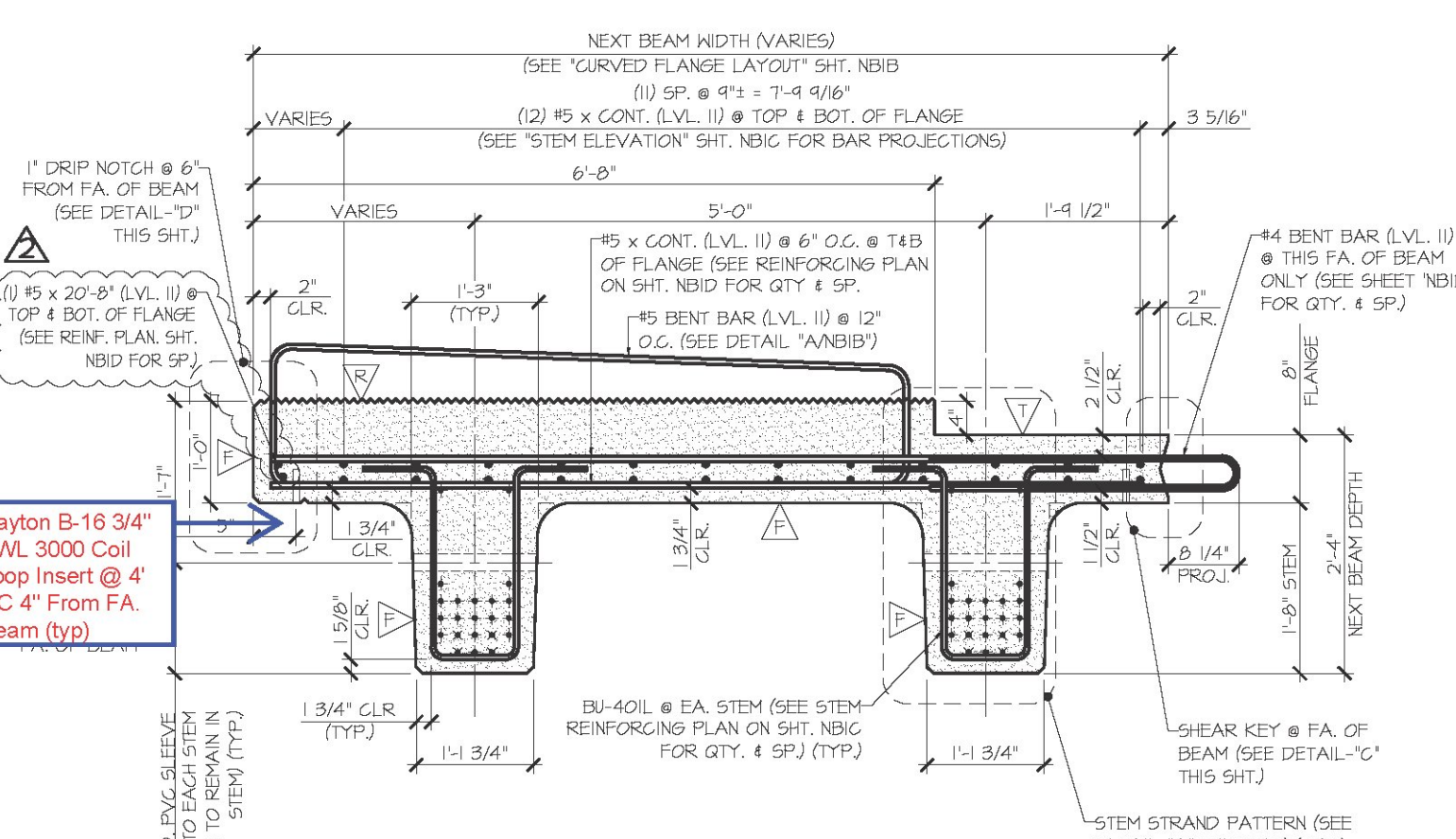
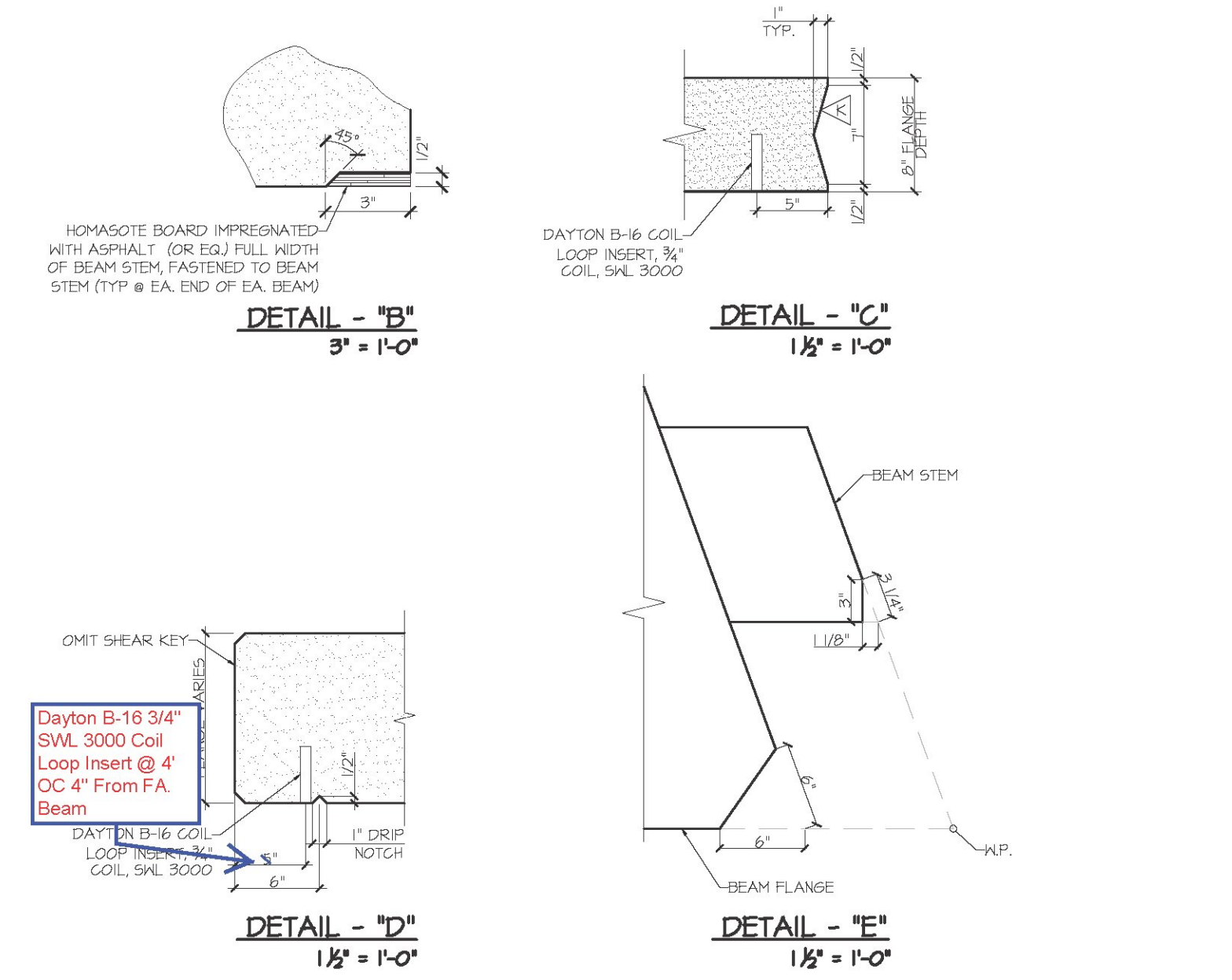
REVIEWED AS REQUIRED BY THE CONSTRUCTION CONTRACT DOCUMENTS AND APPROVED, BUT ONLY FOR CONFORMANCE TO THE DESIGN CONCEPT OF THE WORK AND SUBJECT TO FURTHER LIMITATIONS AND REQUIREMENTS CONTAINED IN THE CONSTRUCTION CONTRACT DOCUMENTS.

REJECTED REVISE AND RESUBMIT APPROVED AS NOTED

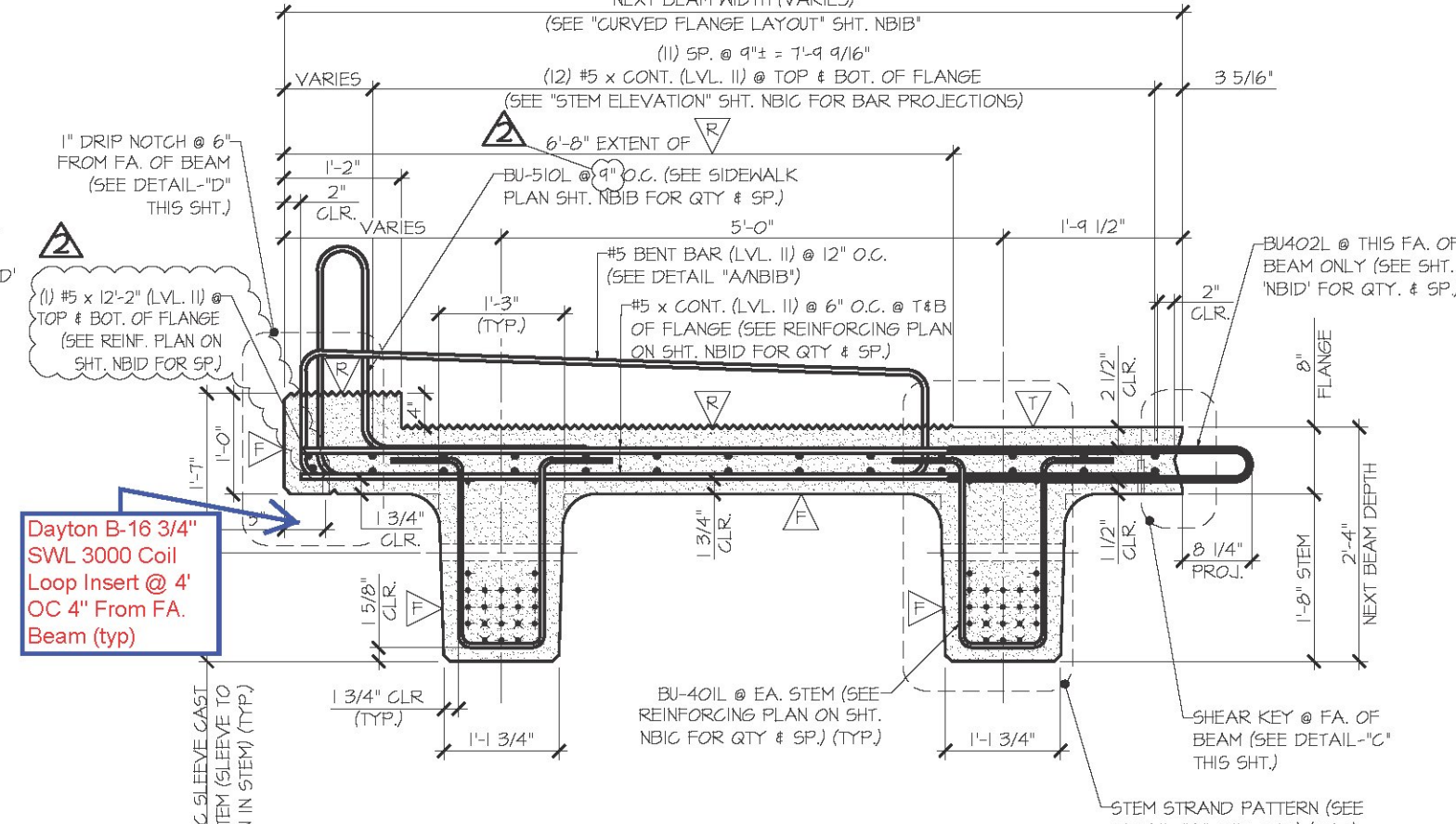
CORRECTIONS OR COMMENTS MADE ON THIS SHOP DRAWING DURING THIS REVIEW DO NOT RELIEVE CONTRACTOR FROM OBLIGATION TO BE RESPONSIBLE OF THE DRAWINGS AND SPECIFICATIONS. THIS CHECK IS ONLY FOR REVIEW OF GENERAL CONFORMANCE WITH THE DESIGN CONCEPT OF THE PROJECT AND GENERAL COMPLIANCE WITH THE INFORMATION GIVEN IN THE CONTRACT DOCUMENTS. THE CONTRACTOR IS RESPONSIBLE FOR CONFIRMING AND CORRELATING ALL QUANTITIES AND DIMENSIONS, SELECTING FABRICATION PROCESSES AND TECHNIQUES OF CONSTRUCTION, COORDINATING THEIR WORK WITH THAT OF ALL OTHER TRADES AND PERFORMING THEIR WORK IN A SAFE AND SATISFACTORY MANNER.

CLD C.L.D. Consulting Engineers
140 Commercial Street
Burlington, VT 05401
802-488-6200

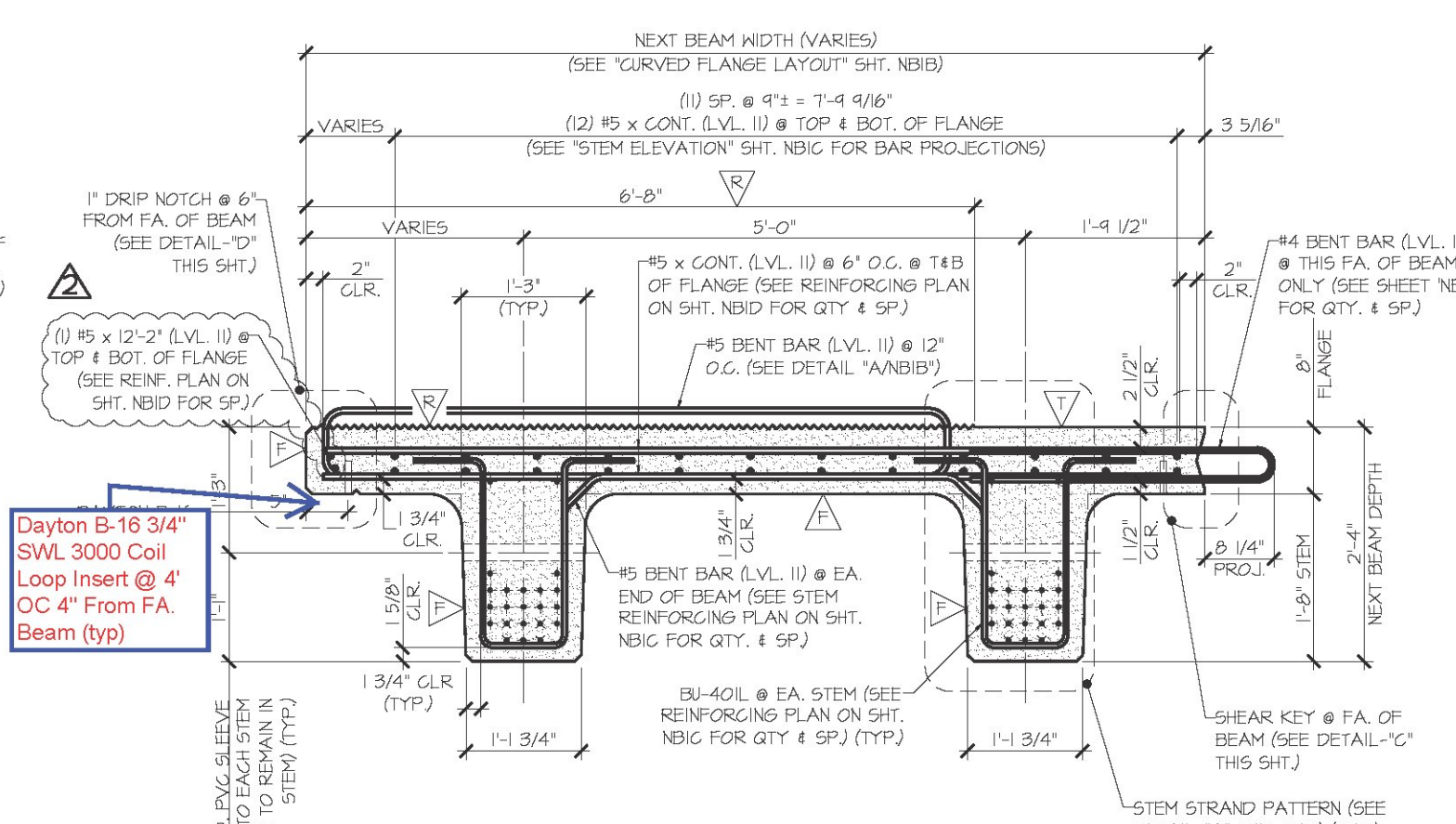
Job Number: 120121
Submitted by: SRS
Date: 05/03/2015



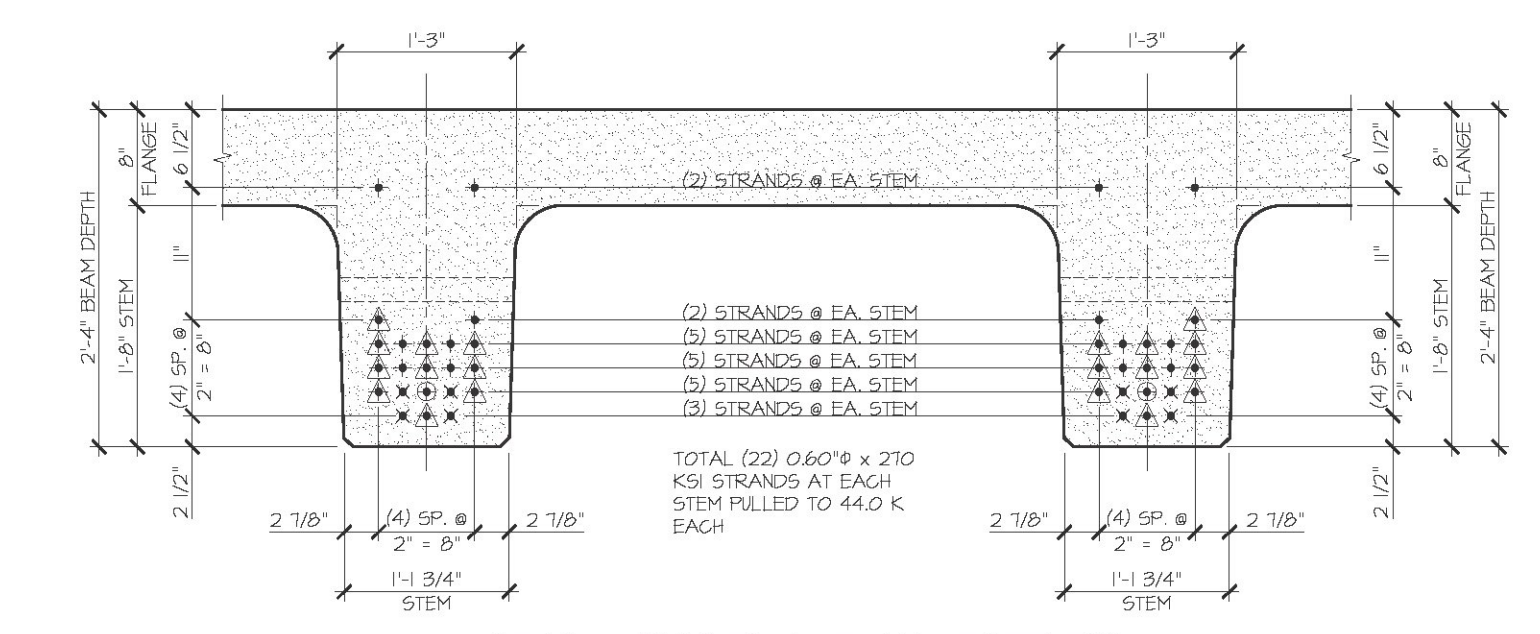
A NBIA
DIMENSIONAL & REINFORCING SECTION
3/8\"/>



B NBIA
DIMENSIONAL & REINFORCING SECTION
3/8\"/>



C NBIA
DIMENSIONAL & REINFORCING SECTION
3/8\"/>



DETAIL - "A" (STEM STRAND PATTERN)
1\"/>

- PRESTRESSING NOTATIONS**
- + DENOTES STRAIGHT STRAND TO BE CUT FLUSH WITH EA. END OF EA. STEM
 - x DENOTES STRAIGHT STRAND TO EXTEND 2'-0\"/>
 - ⊕ DENOTES STRAIGHT STRANDS TO BE DEBONDED 2'-0\"/>
 - ⚠ DENOTES STRAIGHT STRANDS TO BE DEBONDED 0'-6\"/>

DETENSIONING SCHEDULE
N.T.S.

①	③	④	②
⑤	⑥	⑦	⑧
⑨	⑩	⑪	⑫
⑬	⑭	⑮	⑯
⑰	⑱	⑲	⑳
㉑	㉒	㉓	㉔
㉕	㉖	㉗	㉘
㉙	㉚	㉛	㉜
㉝	㉞	㉟	㊱
㊲	㊳	㊴	㊵
㊶	㊷	㊸	㊹
㊺	㊻	㊼	㊽
㊾	㊿		

- △ DENOTES FORM FINISH
- △ DENOTES SMOOTH SCREED FINISH
- △ DENOTES ROUGHENED FINISH (1/2\"/>
- △ DENOTES ROUGHENED FINISH (1/2\"/>

MARK: BU-NBI	QTY: 1	WT: 47.52 T	VOL: 23.47 CY
--------------	--------	-------------	---------------

APPROVAL STAMP:

J.P. CARRARA & SONS INC. Precast & Prestress Manufacturer <small>264 DEE ST., WOODBURY, VERMONT 05753 Phone: (802)388-6361 Fax: (802)388-6010</small>	T. BUCK CONSTRUCTION, INC. CONTRACTOR AUBURN, MAINE
	DATE: MAR. 26, 2015 SCALE: NOTED CHKD: DFTM: JDK JOB NO: 23454-015
STATE OF VERMONT AGENCY OF TRANSPORTATION COUNTY OF CALEDONIA	PROJECT NO.: BRF 0269(13)
TOWN OF BURKE VERMONT ROUTE 114 BRIDGE NO.: 13	PROJECT NO.: BRF 0269(13)
PRESTRESSED NEXT BEAM DETAILS	
DWG. NO: NBIA	