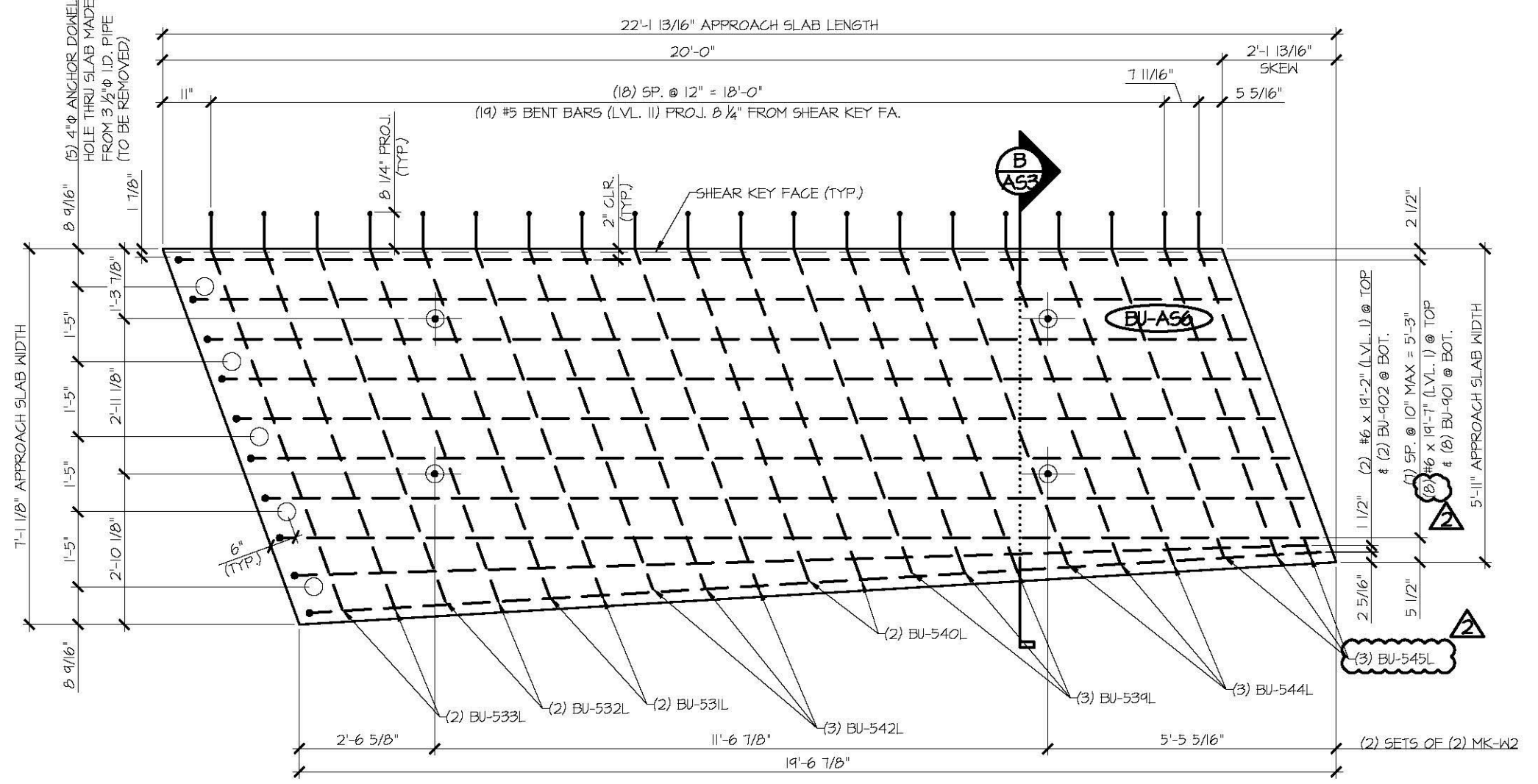
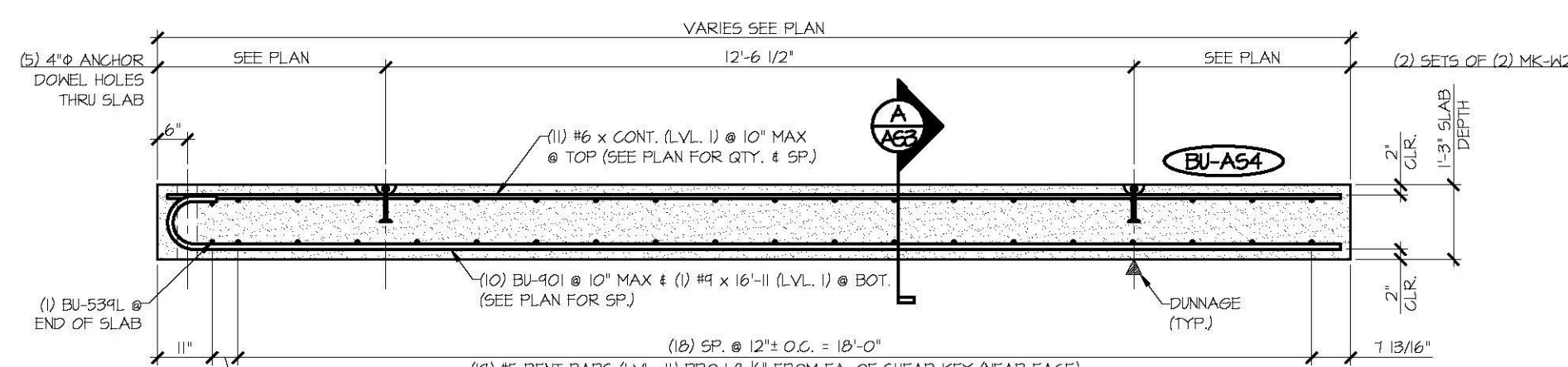


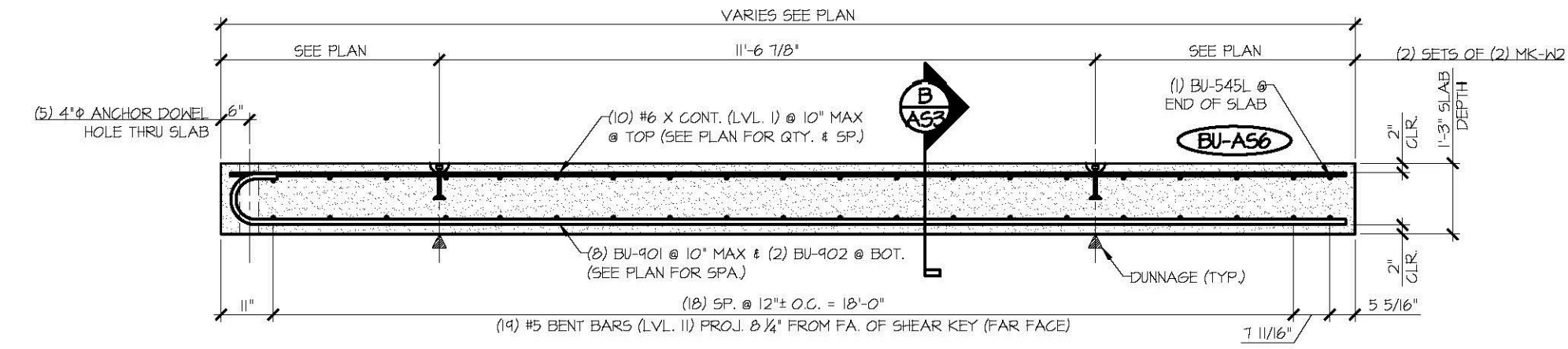
1 PLAN VIEW IN FORM
 A63
 1/2" = 1'-0"



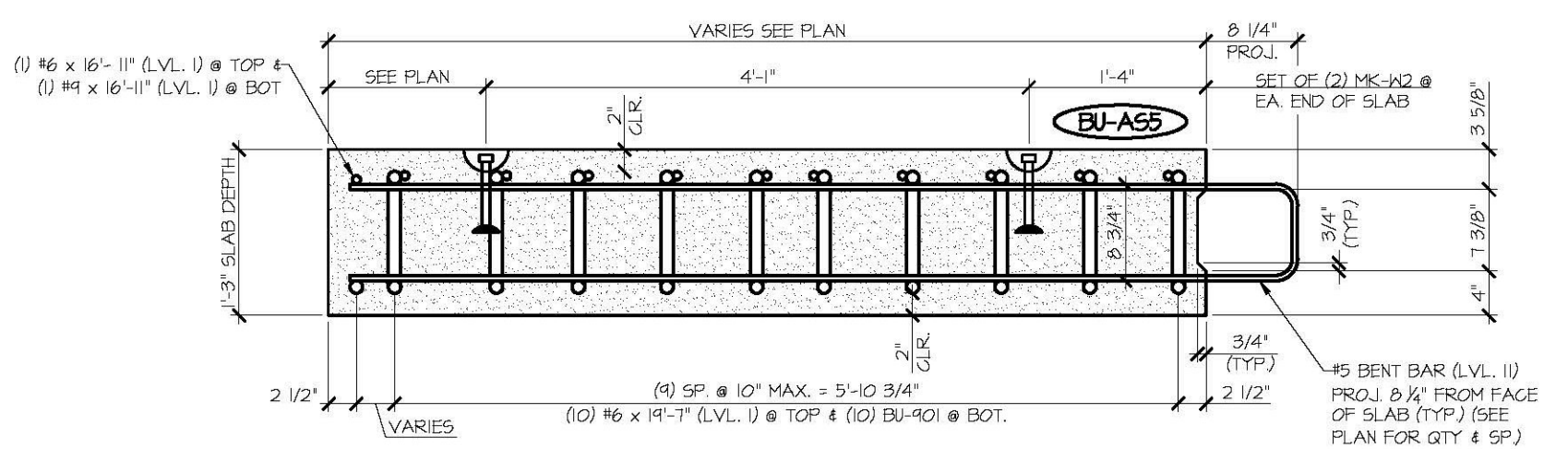
3 PLAN VIEW IN FORM
 A53
 1/2" = 1'-0"



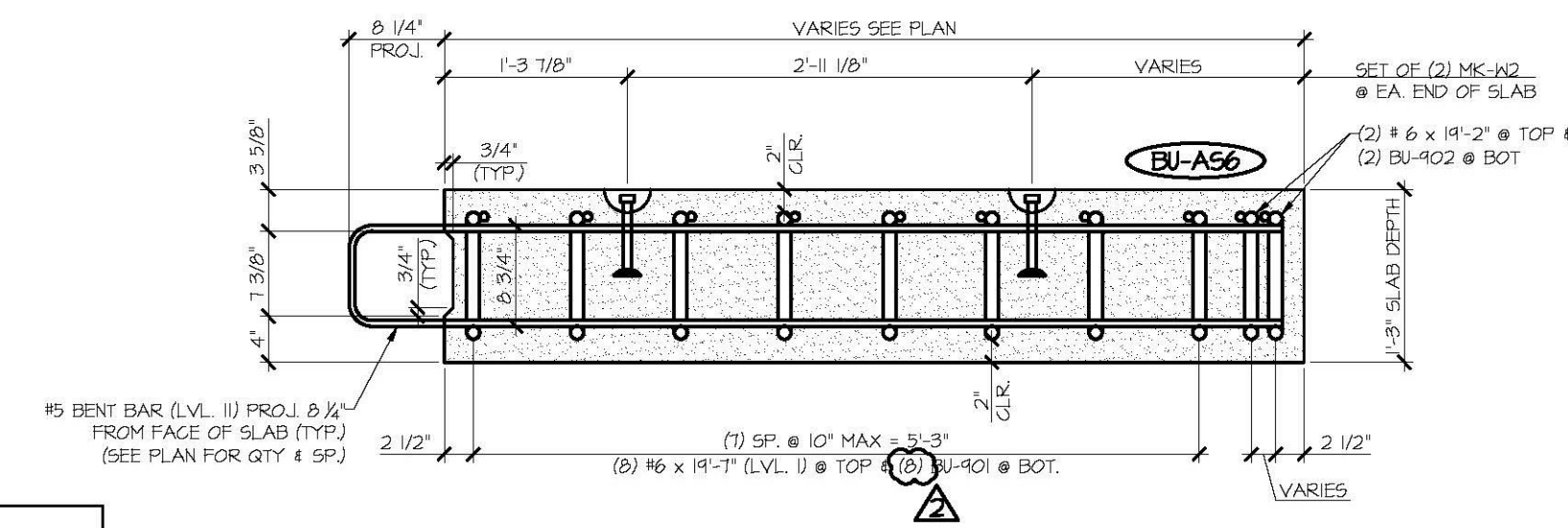
2 LONGITUDINAL SECTION
 A63
 1/2" = 1'-0"



4 LONGITUDINAL SECTION
 A53
 1/2" = 1'-0"



A APPROACH SLAB SECTION
 A63
 1" = 1'-0"



B APPROACH SLAB SECTION
 A53
 1" = 1'-0"

MATERIAL LIST / APPROACH SLAB			
ITEM	MARK	DESCRIPTION	QTY.
1	BU-533L	#5 BENT BAR (LEVEL II, DUAL COATED)	3
2	BU-532L	#5 BENT BAR (LEVEL II, DUAL COATED)	2
3	BU-534L	#5 BENT BAR (LEVEL II, DUAL COATED)	2
4	BU-539L	#5 BENT BAR (LEVEL II, DUAL COATED)	3
5	BU-542L	#5 BENT BAR (LEVEL II, DUAL COATED)	2
6	BU-541L	#5 BENT BAR (LEVEL II, DUAL COATED)	3
7	BU-542L	#5 BENT BAR (LEVEL II, DUAL COATED)	2
8	BU-543L	#5 BENT BAR (LEVEL II, DUAL COATED)	3
9		#6 x 16'-11" (LEVEL I)	1
10		#6 x 19'-7" (LEVEL I)	10
11	BU-401	#4 BENT BAR (LEVEL I)	10
12		#4 x 16'-11" (LEVEL I)	1
13	MK-K2	4T x 7 1/8" SWIFT LIFT LIFTER	4

MATERIAL LIST / APPROACH SLAB			
ITEM	MARK	DESCRIPTION	QTY.
1	BU-533L	#5 BENT BAR (LEVEL II, DUAL COATED)	2
2	BU-532L	#5 BENT BAR (LEVEL II, DUAL COATED)	2
3	BU-534L	#5 BENT BAR (LEVEL II, DUAL COATED)	2
4	BU-539L	#5 BENT BAR (LEVEL II, DUAL COATED)	3
5	BU-542L	#5 BENT BAR (LEVEL II, DUAL COATED)	2
6	BU-541L	#5 BENT BAR (LEVEL II, DUAL COATED)	3
7	BU-544L	#5 BENT BAR (LEVEL II, DUAL COATED)	3
8	BU-545L	#5 BENT BAR (LEVEL II, DUAL COATED)	3
9		#6 x 19'-2" (LEVEL I)	2
10		#6 x 19'-7" (LEVEL I)	8
11	BU-401	#4 BENT BAR (LEVEL I)	8
12	BU-402	#4 BENT BAR (LEVEL I)	2
14	MK-K2	4T x 7 1/8" SWIFT LIFT LIFTER	4

SHOP DRAWING REVIEW

REVIEWED AS REQUIRED BY THE CONSTRUCTION CONTRACT DOCUMENTS AND APPROVED, BUT ONLY FOR CONFORMANCE TO THE DESIGN CONCEPT OF THE WORK, AND SUBJECT TO FURTHER LIMITATIONS AND REQUIREMENTS CONTAINED IN THE CONSTRUCTION CONTRACT DOCUMENTS.

REJECTED REVISE AND RESUBMIT APPROVED AS NOTED

CORRECTIONS OR COMMENTS MADE ON THE SHOP DRAWINGS DURING THIS REVIEW DO NOT RELIEVE CONTRACTOR FROM COMPLIANCE WITH REQUIREMENTS OF THE DRAWINGS AND SPECIFICATIONS. THIS CHECK IS ONLY FOR REVIEW OF GENERAL CONFORMANCE WITH THE DESIGN CONCEPT OF THE PROJECT AND GENERAL COMPLIANCE WITH THE INFORMATION GIVEN IN THE CONTRACT DOCUMENTS. THE CONTRACTOR IS RESPONSIBLE FOR CONFIRMING AND CORRECTING ALL QUANTITIES AND DIMENSIONS SELECTED FOR CONSTRUCTION, PROCESSING AND TECHNIQUES OF CONSTRUCTION, COORDINATING THEIR WORK WITH THAT OF ALL OTHER TRADES AND PERFORMING THEIR WORK IN A SAFE AND SATISFACTORY MANNER.

CLD Consulting Engineers
 245 Commercial Street
 Montpelier, VT 05701
 802-882-2522

Job Number: 120121
 Reviewed by: SRB
 Date: 04/10/2015

RECEIVED
 Vermont Agency of Transportation
 OK'D BY: [Signature]
 APR 6 2015
 Approved/Assisted
 BY: [Signature]
 DATE: 04/05/2015

APPROVAL STAMP:

J.P. CARRARA & SONS INC.
 Precast & Prestress Manufacturer
 244 DEX ST., WOODBURY, VERMONT 05095 Phone: (802)388-6361 Fax: (802)388-9810

T. BUCK CONSTRUCTION, INC.
 CONTRACTOR
 AUBURN, MAINE

STATE OF VERMONT AGENCY OF TRANSPORTATION
 COUNTY OF CALEDONIA

TOWN OF BURKE
 VERMONT ROUTE 114
 BRIDGE NO.: 13 PROJECT NO.: BRF 0269(13)

DATE: MAR. 26, 2015
 SCALE: NOTED
 CHKD: DFTM: JOK
 JOB NO: 23454-015

PRECAST APPROACH SLAB DETAILS
 DWG. NO: A53