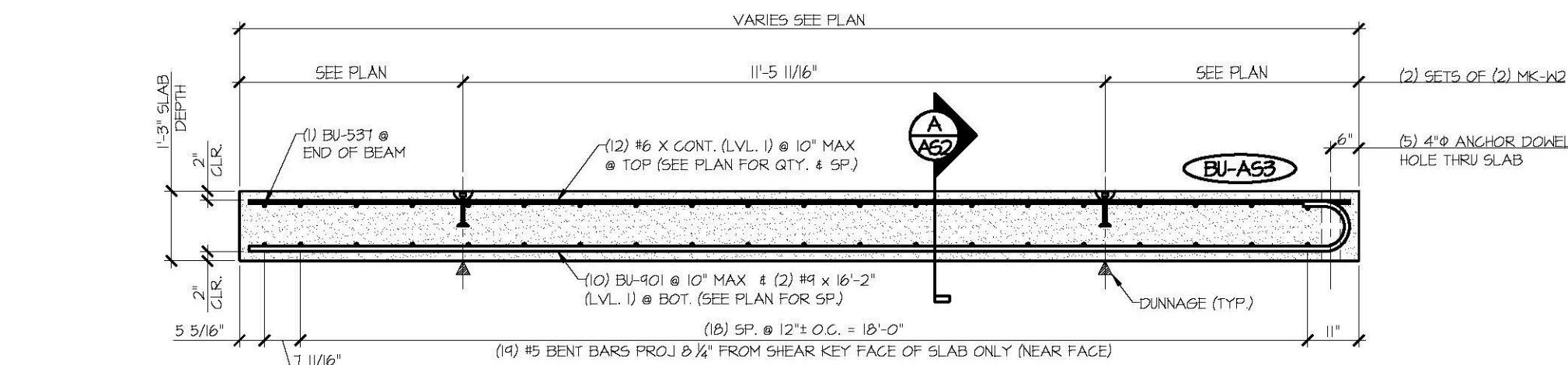
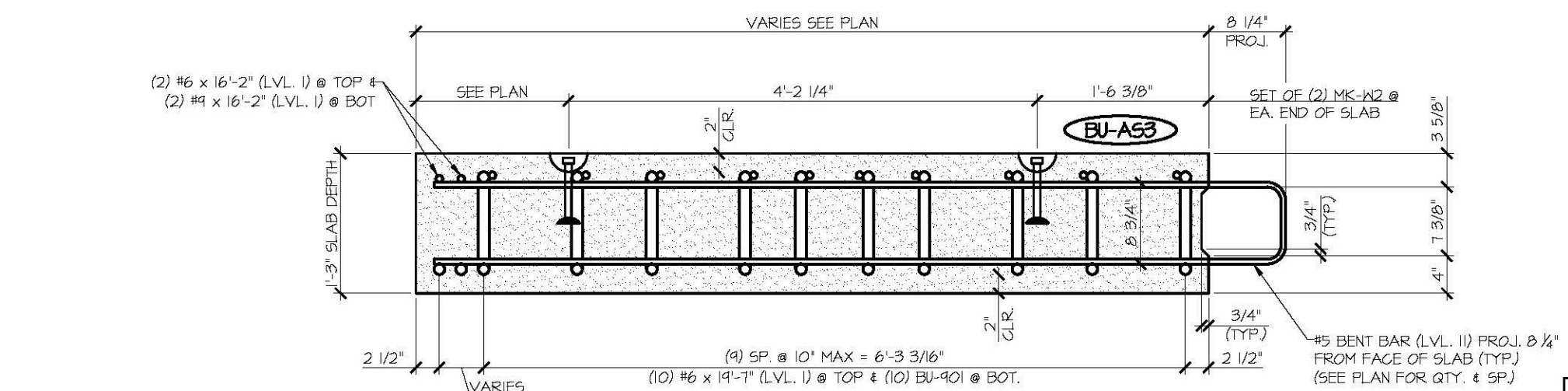


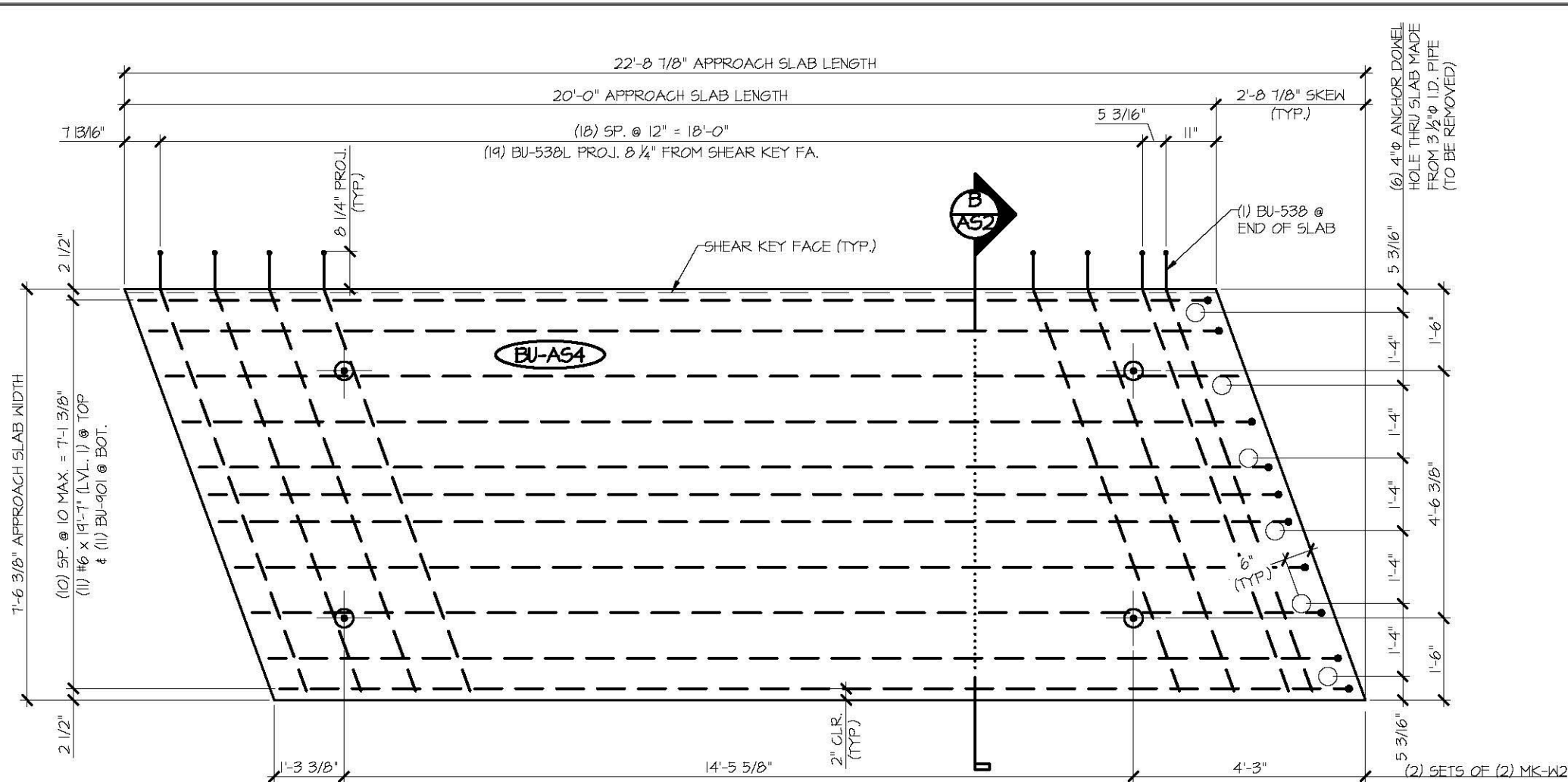
1 PLAN VIEW IN FORM
1/2" = 1'-0"



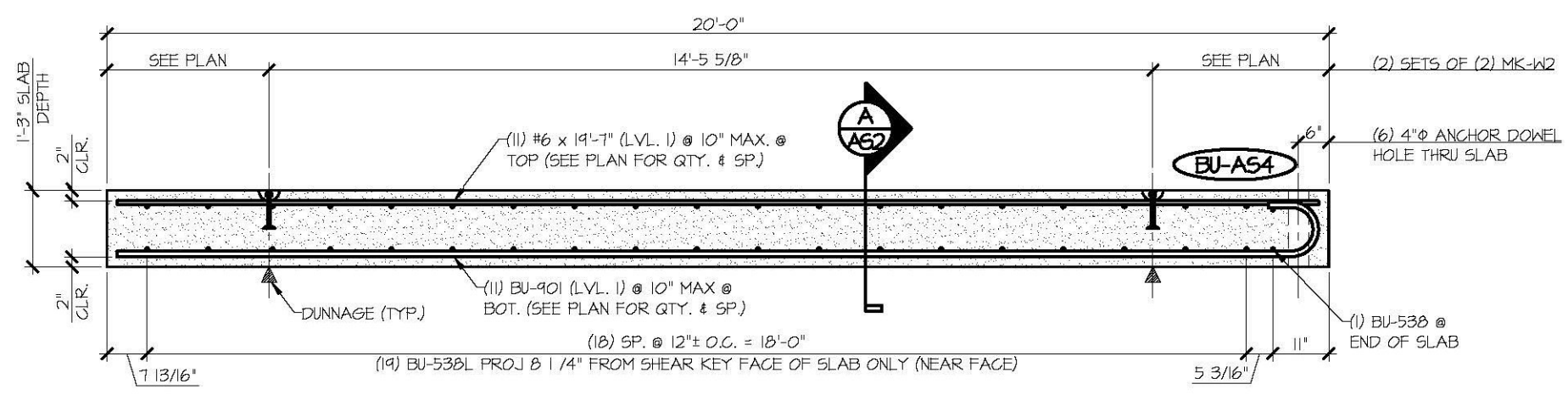
2 LONGITUDINAL SECTION
1/2" = 1'-0"



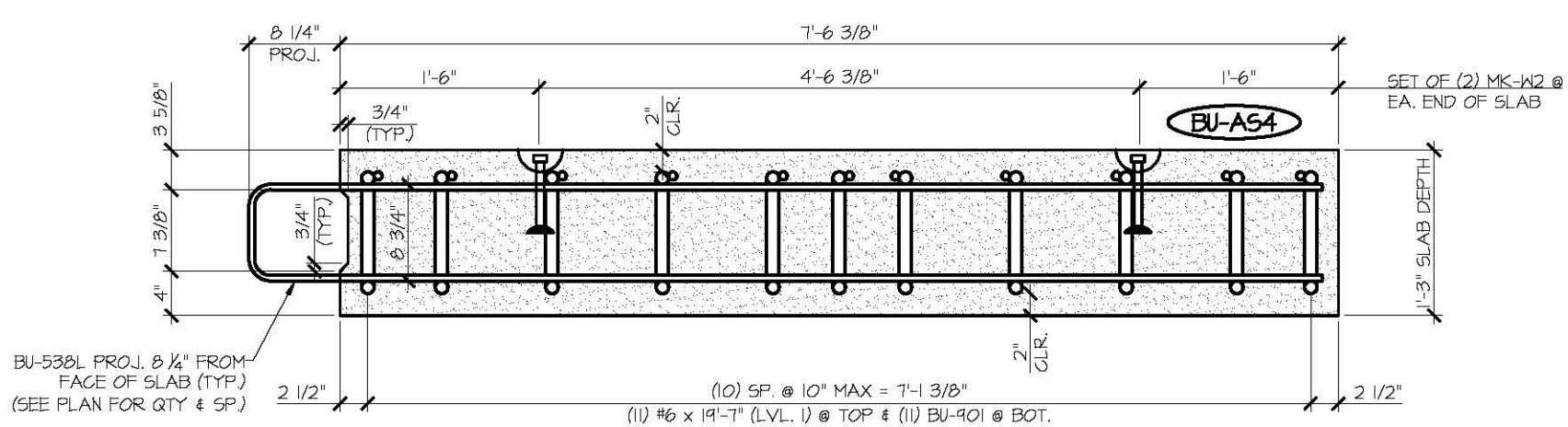
A APPROACH SLAB SECTION
1" = 1'-0"



3 PLAN VIEW IN FORM
1/2" = 1'-0"



4 LONGITUDINAL SECTION
1/2" = 1'-0"



B APPROACH SLAB SECTION
1" = 1'-0"

MATERIAL LIST / APPROACH SLAB			
ITEM	MARK	DESCRIPTION	QTY.
1	BU-531L	#5 BENT BAR (LEVEL II, DUAL COATED)	3
2	BU-532L	#5 BENT BAR (LEVEL II, DUAL COATED)	2
3	BU-533L	#5 BENT BAR (LEVEL II, DUAL COATED)	3
4	BU-534L	#5 BENT BAR (LEVEL II, DUAL COATED)	3
5	BU-535L	#5 BENT BAR (LEVEL II, DUAL COATED)	3
6	BU-536L	#5 BENT BAR (LEVEL II, DUAL COATED)	3
7	BU-531L	#5 BENT BAR (LEVEL II, DUAL COATED)	3
8		#6 x 19'-7" (LEVEL I)	10
9		#6 x 16'-2" (LEVEL I)	2
10	BU-401	#4 BENT BAR (LEVEL I)	10
11		#4 x 16'-2" (LEVEL I)	2
12	MK-K2	4T x 1 1/2" SWIFT LIFT LIFTER	4

MATERIAL LIST / APPROACH SLAB			
ITEM	MARK	DESCRIPTION	QTY.
1	BU-530	#5 BENT BAR (LEVEL II, DUAL COATED)	20
2		#6 x 19'-7" (LEVEL I)	11
3	BU-401	#4 BENT BAR (LEVEL I)	11
4	MK-K2	4T x 1 1/2" SWIFT LIFT LIFTER	4

SHOP DRAWING REVIEW

REVIEWED AS REQUIRED BY THE CONSTRUCTION CONTRACT DOCUMENTS AND APPROVED, BUT ONLY FOR CONFORMANCE TO THE DESIGN CONCEPT OF THE WORK, AND SUBJECT TO FURTHER LIMITATIONS AND REQUIREMENTS CONTAINED IN THE CONSTRUCTION CONTRACT DOCUMENTS.

REJECTED REVISE AND RESUBMIT APPROVED AS NOTED

CORRECTIONS OR COMMENTS MADE ON THE SHOP DRAWINGS DURING THIS REVIEW DO NOT RELIEVE CONTRACTOR FROM COMPLIANCE WITH REQUIREMENTS OF THE DRAWINGS AND SPECIFICATIONS. THIS CHECK IS ONLY FOR REVIEW OF GENERAL CONFORMANCE WITH THE DESIGN CONCEPT OF THE PROJECT AND GENERAL COMPLIANCE WITH THE INFORMATION GIVEN IN THE CONTRACT DOCUMENTS. THE CONTRACTOR IS RESPONSIBLE FOR CONFIRMING AND CORRELATING ALL QUANTITIES AND DIMENSIONS, SELECTING FABRICATION PROCESSES AND TECHNIQUES OF CONSTRUCTION, COORDINATING THEIR WORK WITH THAT OF ALL OTHER TRADES, AND PERFORMING THEIR WORK IN A SAFE AND SATISFACTORY MANNER.

OLD Consulting Engineers Inc. Job Number: 120121
Reviewed by: SRB
Date: 04/10/2015

RECEIVED

Vermont Agency of Transportation

April 6, 2015

Approved As Noted

DATE 04/10/2015

APPROVAL STAMP:

J.P. CARRARA & SONS INC.
Precast & Prestress Manufacturer
244 DREW ST., WOODBURY, VERMONT 05553 Phone: (802) 388-6361 Fax: (802) 388-9010

T. BUCK CONSTRUCTION, INC.
CONTRACTOR
AUBURN, MAINE

STATE OF VERMONT AGENCY OF TRANSPORTATION
COUNTY OF CALEDONIA

TOWN OF BURKE
VERMONT ROUTE 114
BRIDGE NO.: 13 PROJECT NO.: BRF 0269(13)

DATE: MAR. 26, 2015
SCALE: NOTED
CHKD: DFTM: JOK
JOB NO: 23454-015

PRECAST APPROACH SLAB DETAILS
DWG. NO: A52