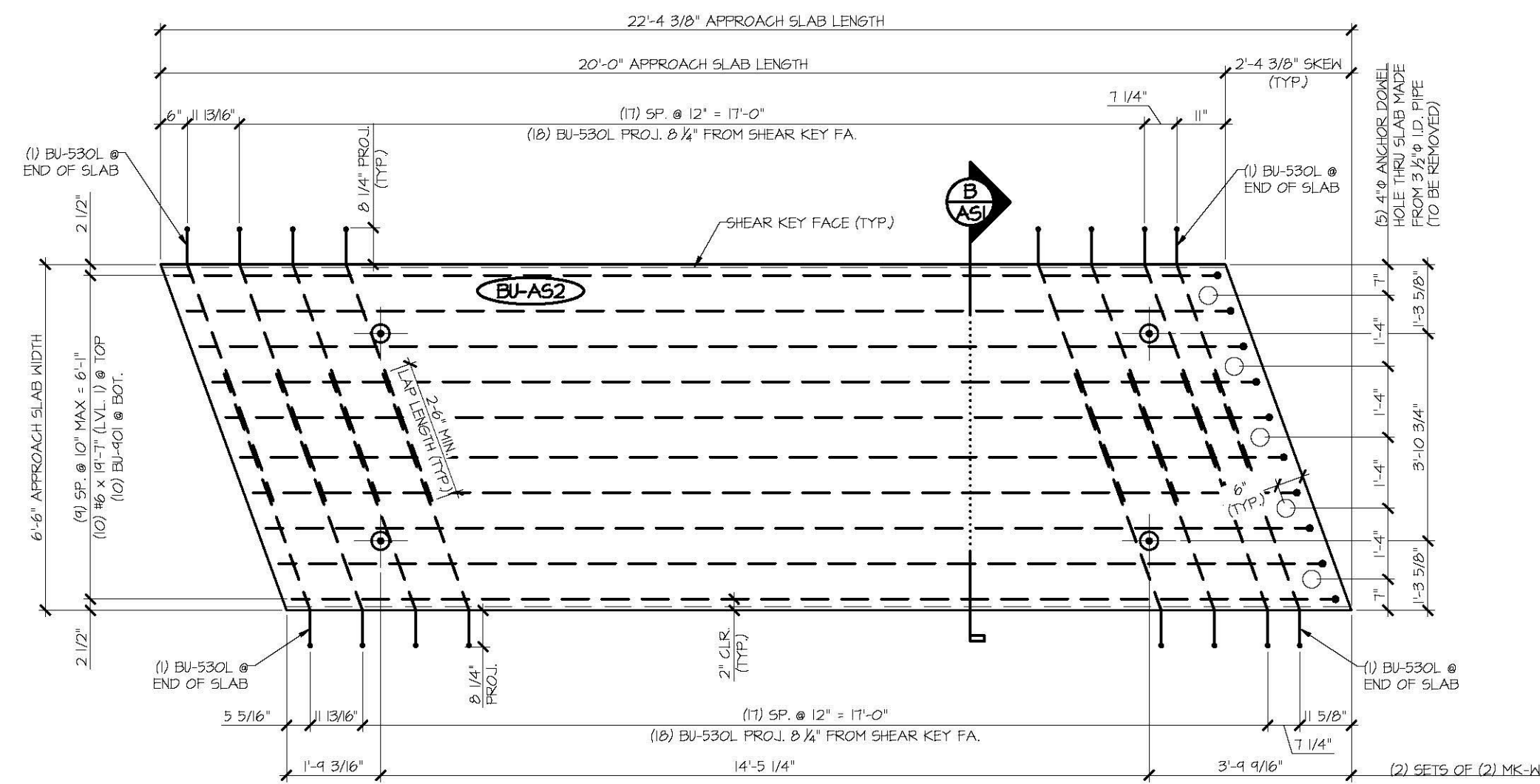
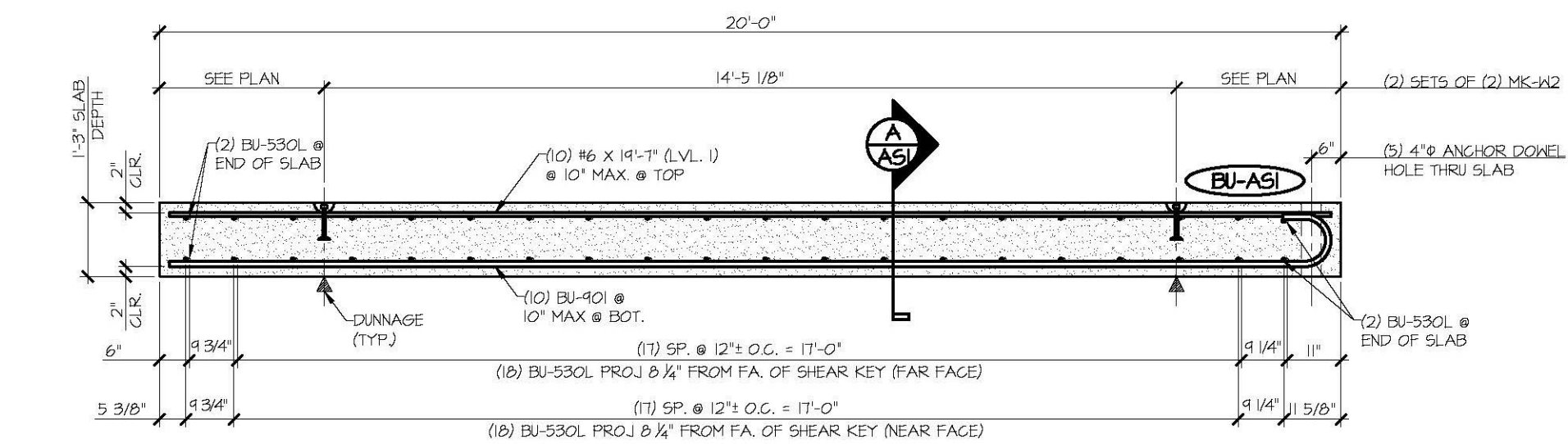


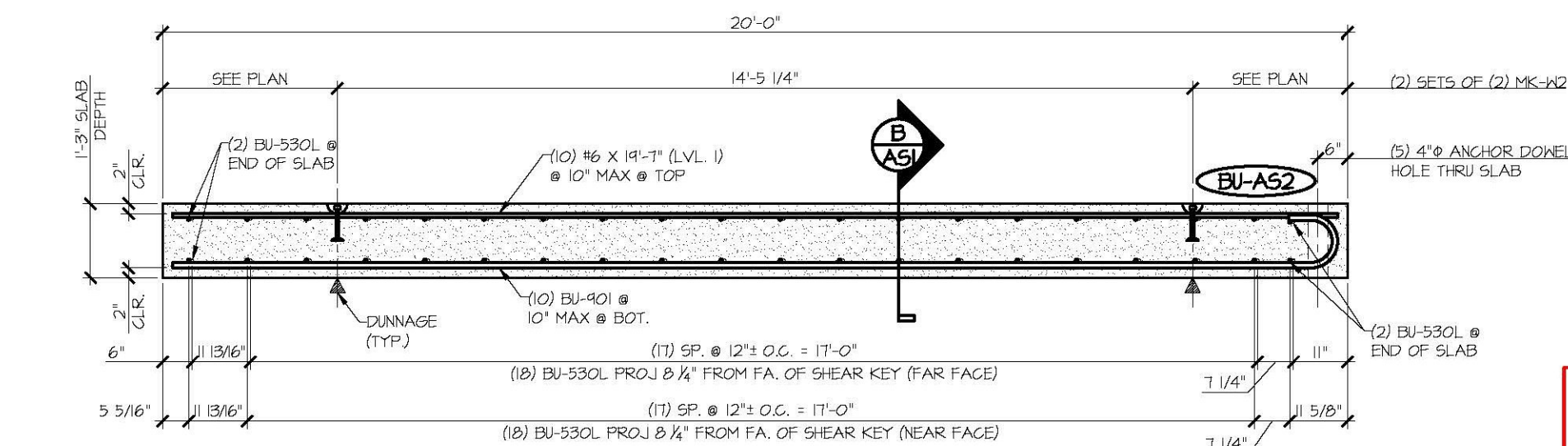
1 PLAN VIEW IN FORM
1/2" = 1'-0"



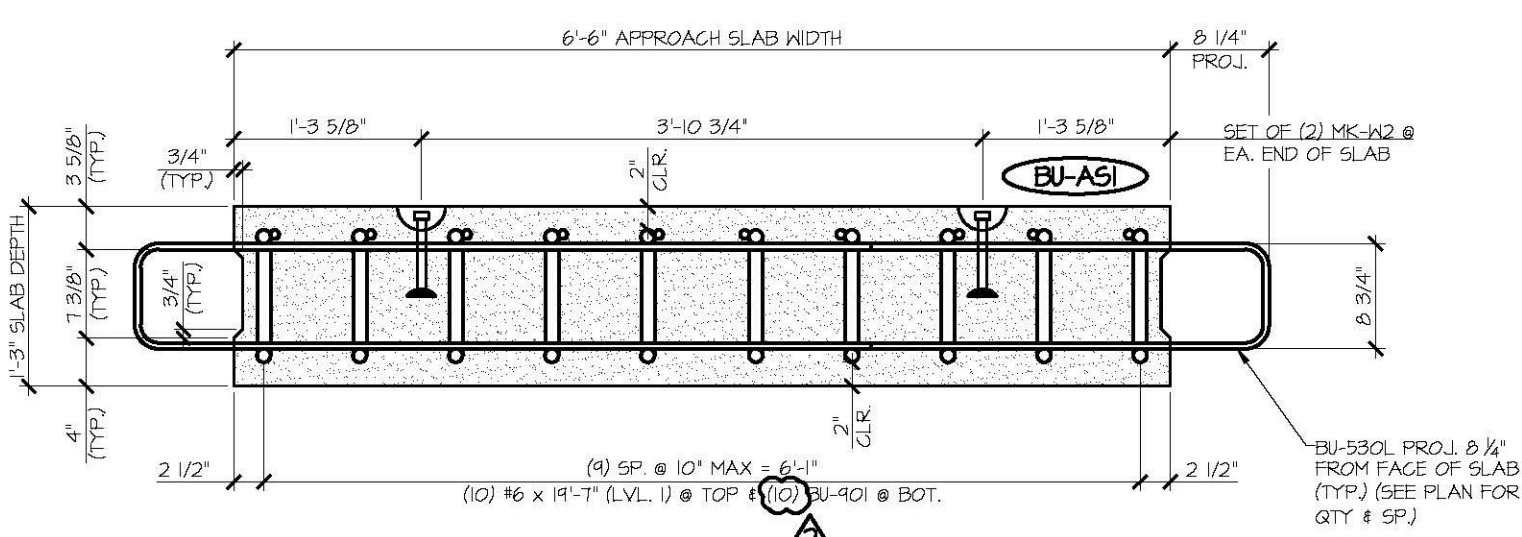
3 PLAN VIEW IN FORM
1/2" = 1'-0"



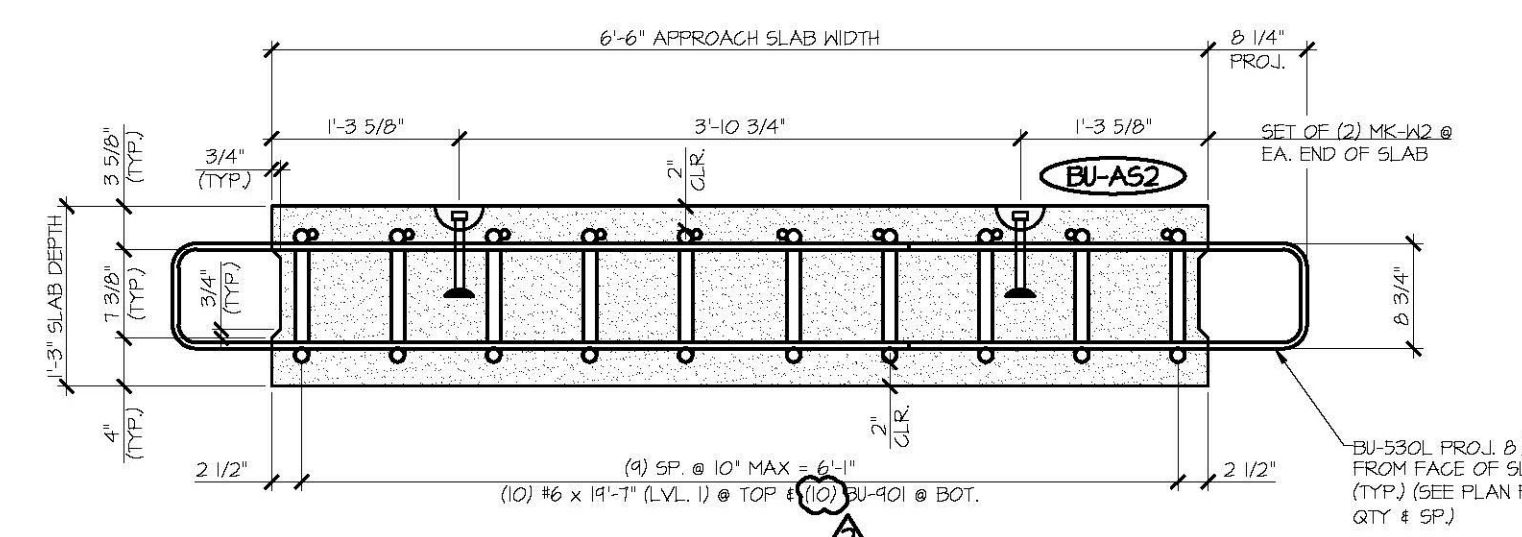
2 LONGITUDINAL SECTION
1/2" = 1'-0"



4 LONGITUDINAL SECTION
1/2" = 1'-0"



A APPROACH SLAB SECTION
1" = 1'-0"



A APPROACH SLAB SECTION
1" = 1'-0"

Vermont Agency of Transportation
RECEIVED
CK'D BY _____ OK'D BY _____
April 6, 2015
RESUBMIT No _____ Approved AsNoted
BY Rob Young DATE 04/10/2015

SHOP DRAWING REVIEW

REVIEWED AS REQUIRED BY THE CONSTRUCTION CONTRACT DOCUMENTS AND APPROVED, BUT ONLY FOR CONFORMANCE TO THE DESIGN CONCEPT OF THE WORK, AND SUBJECT TO FURTHER LIMITATIONS AND REQUIREMENTS CONTAINED IN THE CONSTRUCTION CONTRACT DOCUMENTS.

REJECTED REVISE AND RESUBMIT APPROVED AS NOTED

CORRECTIONS OR COMMENTS MADE ON THE SHOP DRAWINGS DURING THIS REVIEW DO NOT RELIEVE CONTRACTOR FROM COMPLIANCE WITH REQUIREMENTS OF THE DRAWINGS AND SPECIFICATIONS. THIS CHECK IS ONLY FOR REVIEW OF GENERAL CONFORMANCE WITH THE DESIGN CONCEPT OF THE PROJECT AND GENERAL COMPLIANCE WITH THE INFORMATION GIVEN IN THE CONTRACT DOCUMENTS. THE CONTRACTOR IS RESPONSIBLE FOR CORRECTING AND CORRELATING ALL QUANTITIES AND DIMENSIONS, SELECTING FABRICATION PROCESSES AND TECHNIQUES OF CONSTRUCTION, COORDINATING THEIR WORK WITH THAT OF ALL OTHER TRADES AND PERFORMING THEIR WORK IN A SAFE AND SATISFACTORY MANNER.

CLD Consulting Engineers
42 Commercial Street
North Ferrisburgh, VT 05701
802-888-5522

Job Number: 120121
Reviewed by: SRE
Date: 04/10/2015

MARK: BU-AS1	QTY.: 2	WT: 12.09T	VOL: 5.97 CY
MATERIAL LIST / APPROACH SLAB			
ITEM	MARK	DESCRIPTION	QTY.
1	BU-530L	#5 BENT BAR (LEVEL II, DUAL COATED)	40
2	BU-401	#6 x 19'-1" (LEVEL I)	10
3	BU-401	#1 BENT BAR (LEVEL I)	10
4	MK-H2	41 x 7 1/2" SNIFT LIFT LIFTER	4

MARK: BU-AS2	QTY.: 2	WT: 12.09T	VOL: 5.97 CY
MATERIAL LIST / APPROACH SLAB			
ITEM	MARK	DESCRIPTION	QTY.
1	BU-530L	#5 BENT BAR (LEVEL II, DUAL COATED)	40
2	BU-401	#6 x 19'-1" (LEVEL I)	10
3	BU-401	#1 BENT BAR (LEVEL I)	10
4	MK-H2	41 x 7 1/2" SNIFT LIFT LIFTER	4

APPROVAL STAMP:

J.P. CARRARA & SONS INC. Precast & Prestress Manufacturer
284 ONE STA. WOODWAY, WINDSOR 05751 Phone: (802)388-6361 Fax: (802)388-6010

T. BUCK CONSTRUCTION, INC. CONTRACTOR
AUBURN, MAINE

STATE OF VERMONT AGENCY OF TRANSPORTATION COUNTY OF CALEDONIA DATE: MAR. 26, 2015
SCALE: NOTED

TOWN OF BURKE VERMONT ROUTE 114 CHKD: DFTM: JDK
BRIDGE NO.: 13 PROJECT NO.: BRF 0269(13) JOB NO: 23454-015

PRECAST APPROACH SLAB DETAILS DWG. NO: ASI