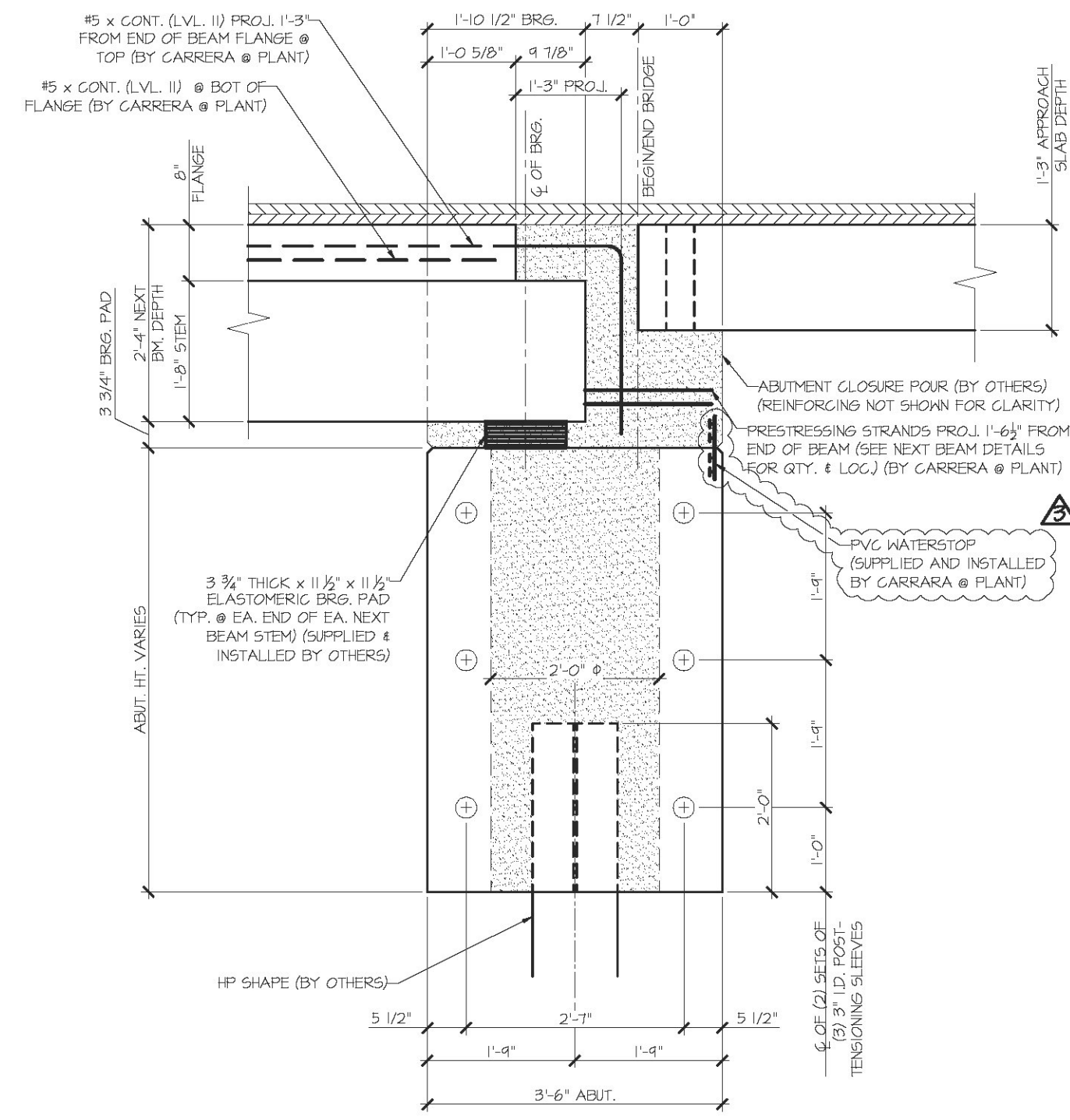
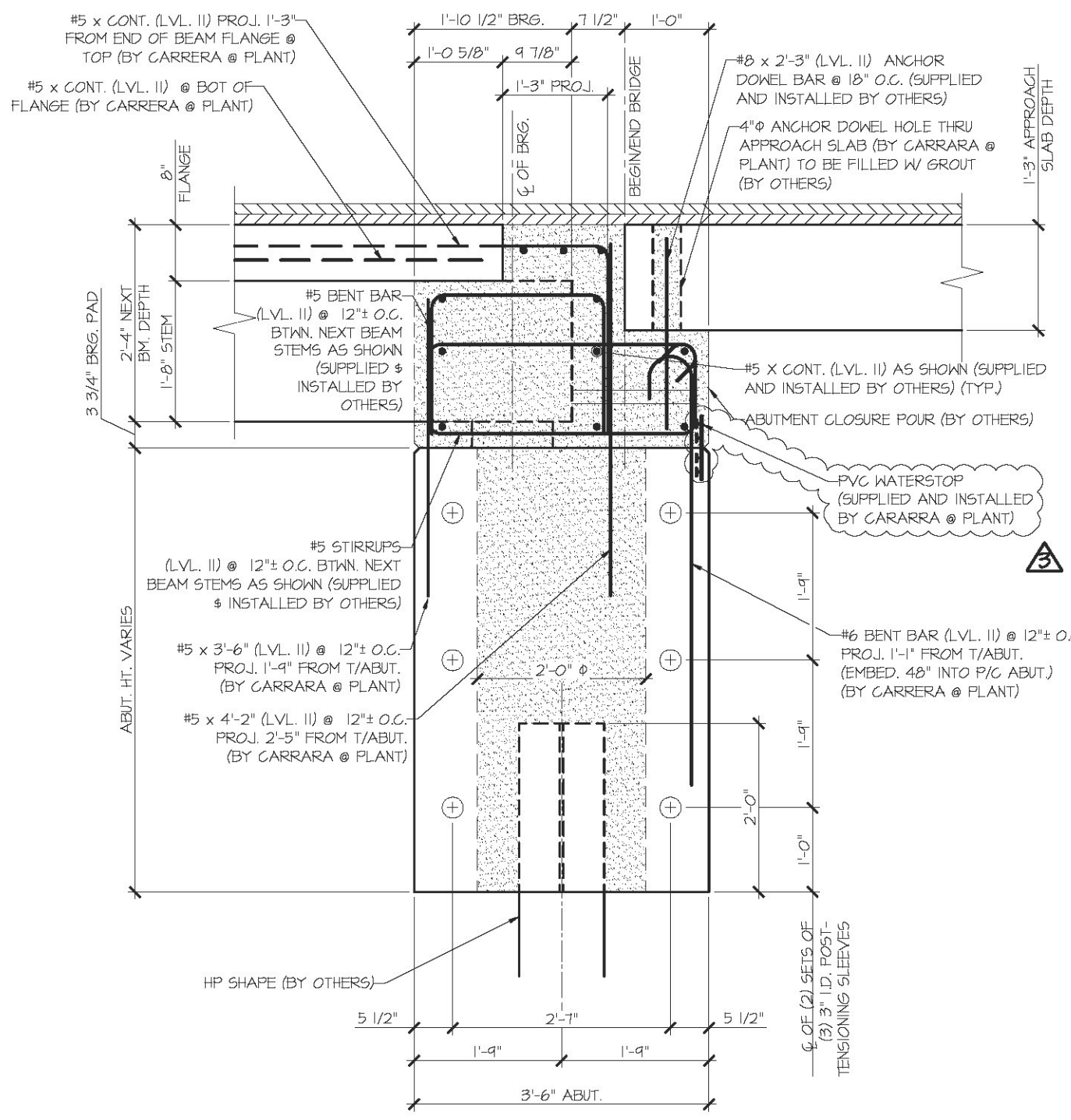


**1**  
**F2** ABUTMENT #1 ELEVATION  
1/2" = 1'-0"



**A**  
**F2** BEARING SECTION  
3/4" = 1'-0"  
NEXT BEAM STEM BEARING



**AI**  
**F2** BEARING SECTION  
3/4" = 1'-0"  
BETWEEN NEXT BEAM STEM BEARING

Vermont Agency of Transportation  
**RECEIVED**  
CK'D BY May 1, 2015  
RESUBMIT No Approved  
BY Rob Young DATE 05/04/2015

**SHOP DRAWING REVIEW**

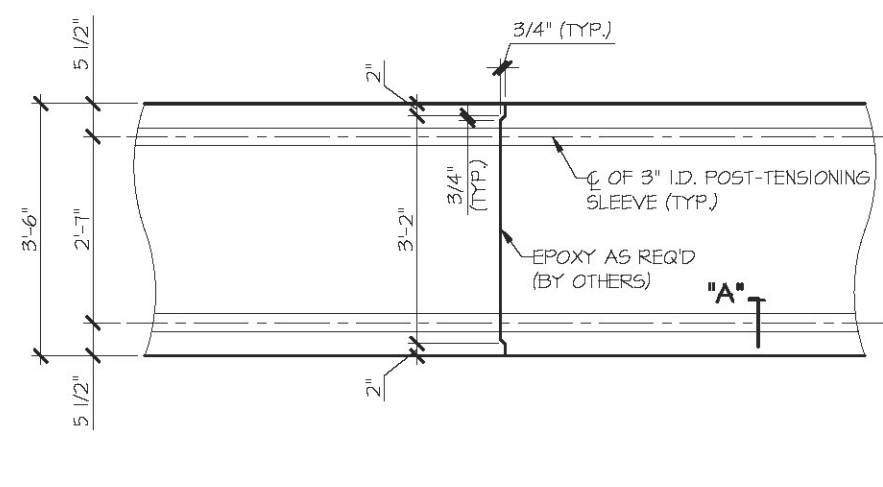
REVIEWED AS REQUIRED BY THE CONSTRUCTION CONTRACT DOCUMENTS AND APPROVED, BUT ONLY FOR CONFORMANCE TO THE GENERAL CONCEPT OF THE WORK AND SUBJECT TO FURTHER LIMITATIONS AND REQUIREMENTS CONTAINED IN THE CONSTRUCTION CONTRACT DOCUMENTS.

REJECTED  REVISE AND RESUBMIT  APPROVED AS NOTED

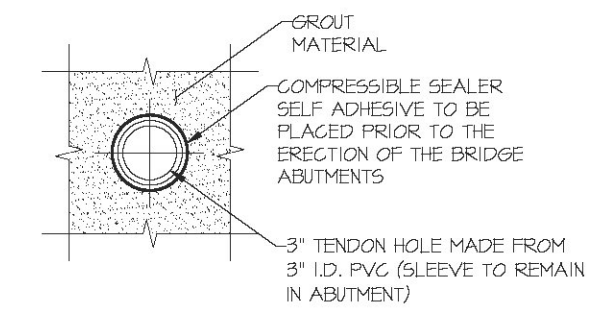
CORRECTIONS OR COMMENTS MADE ON THE SHOP DRAWINGS DURING THIS REVIEW DO NOT RELIEVE CONTRACTOR FROM COMPLIANCE WITH REQUIREMENTS OF THE DRAWINGS AND SPECIFICATIONS. THE CHECK IS ONLY FOR REVIEW OF GENERAL CONFORMANCE WITH THE GENERAL CONCEPT OF THE PROJECT AND GENERAL COMPLIANCE WITH THE INFORMATION GIVEN IN THE CONTRACT DOCUMENTS. THE CONTRACTOR IS RESPONSIBLE FOR CORRECTING AND CORRECTING ALL QUANTITIES AND DIMENSIONS, SELECTING FABRICATION PROCESSES AND TENSILES OF CONSTRUCTION COORDINATING THEIR WORK WITH THAT OF ALL OTHER TRADES AND PERFORMING THEIR WORK IN A SAFE AND SATISFACTORY MANNER.

CLD Consulting Engineers  
140 COMMERCE STREET  
SUITE 200  
AUBURN, MA 01501  
Tel: 603.888.5258

Job Number: 1201121  
Reviewed by: SREB  
Date: 05/03/2015



**B**  
**F2** MATCH CAST SECTION @  
P.T. SLEEVE 1/2" = 1'-0"



**SECTION - "A"**  
1/2" = 1'-0"

APPROVAL STAMP:	<b>J.P. CARRARA &amp; SONS INC.</b> Precast & Prestress Manufacturer 244 SAGE ST. WILTON, NH 03095 Phone: (603)388-6361 Fax: (603)388-6010	<b>T. BUCK CONSTRUCTION, INC.</b> CONTRACTOR AUBURN, MAINE
	STATE OF VERMONT AGENCY OF TRANSPORTATION COUNTY OF CALEDONIA	DATE: MAR. 26, 2015 SCALE: NOTED
	TOWN OF BURKE VERMONT ROUTE 114 BRIDGE NO.: 13 PROJECT NO.: BRP 0269(13)	CHKD: DFTM: JJK JOB NO.: 23454-015
	PRECAST ABUTMENT #1 ELEVATION & SECTIONS	DWG. NO: <b>F2</b>