

GENERAL NOTES

- ALL BEARINGS SHALL CONFORM TO THE STATE OF VERMONT AGENCY OF TRANSPORTATION STANDARD SPECIFICATIONS, LATEST EDITION, SECTIONS 531 AND 731 AND THE CONTRACT PRINTS, UNLESS NOTED OTHERWISE.
-
- MATERIALS:**
 ELASTOMER.....60 DURO NATURAL, GRADE 3 OR BETTER (130-200 psi)
 CARBON STEEL SHIMS.....ASTM A1011, GR. 40
 PLATE.....ASTM A709 GR. 36 (A36)
- TOLERANCES:**
LAMINATED ELASTOMERIC PADS:
 DUROMETER.....± 5
 OVERALL THICKNESS (VERTICAL) OVER 1 1/4".....-0, +1/4"
 OVERALL LENGTH & WIDTH (HORIZONTAL) 36" OR LESS.....-0, +1/4"
 THICKNESS OF INDIVIDUAL LAYERS OF ELASTOMER.....± 1/8"
 PARALLELISM:
 TOP.....0.005 rad
 SIDES.....1/4"
 EDGE COVER.....-0, +1/8"
PLATES:
 OVERALL THICKNESS (VERTICAL).....±1/16"
 OVERALL LENGTH & WIDTH (HORIZONTAL).....±1/4"
 FLATNESS.....1/16"
- MARKINGS:**
 EACH BEARING SHALL BE PERMANENTLY MARKED IN A LOCATION THAT IS VISIBLE WHEN THE DEVICE IS INSTALLED IN THE COMPLETED STRUCTURE. MARKING SHALL BE SEP STANDARD:
 CONTRACT/ORDER #
 LOT #
 BEARING ID # (MK. #)
 LOCATION/BRIDGE #
 ELASTOMER TYPE AND GRADE
 ORIENTATION (WHERE APPLICABLE)
- TESTING:** PER SPECIFICATIONS CITED IN GENERAL NOTE #1.
- PAINT/FINISH:** LOOSE SHIMS PLATES TO BE GALVANIZED PER ASTM A123.
- SEP TO PROVIDE ONLY THE ITEMS SHOWN ON THIS DRAWING.
- SHIPPING:** BEARINGS SHALL BE PACKAGED IN SUCH A MANNER TO ENSURE THAT DURING SHIPMENT AND STORAGE THE BEARINGS WILL BE PROTECTED AGAINST DAMAGE FROM HANDLING, WEATHER OR ANY NORMAL HAZARD.
- REPRESENTATIVE**
 CUSTOMER SERVICE: STEVE BOWMAN.....903-677-4318
 TECHNICAL: MIKE SPELLMAN.....903-677-4342

SHOP DRAWING REVIEW

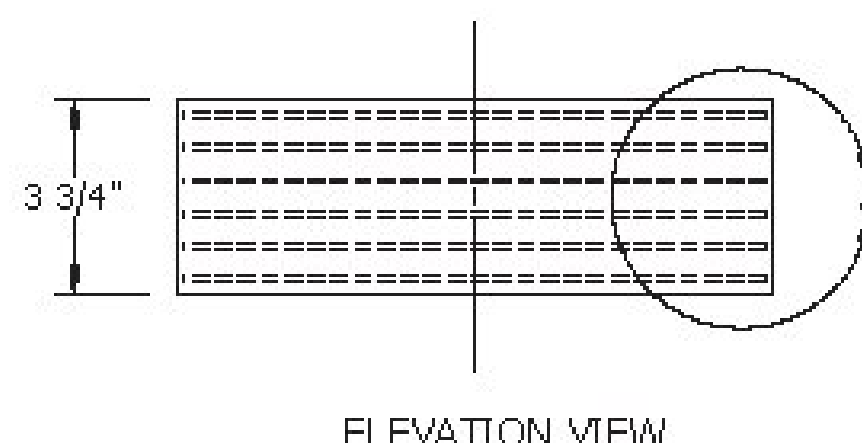
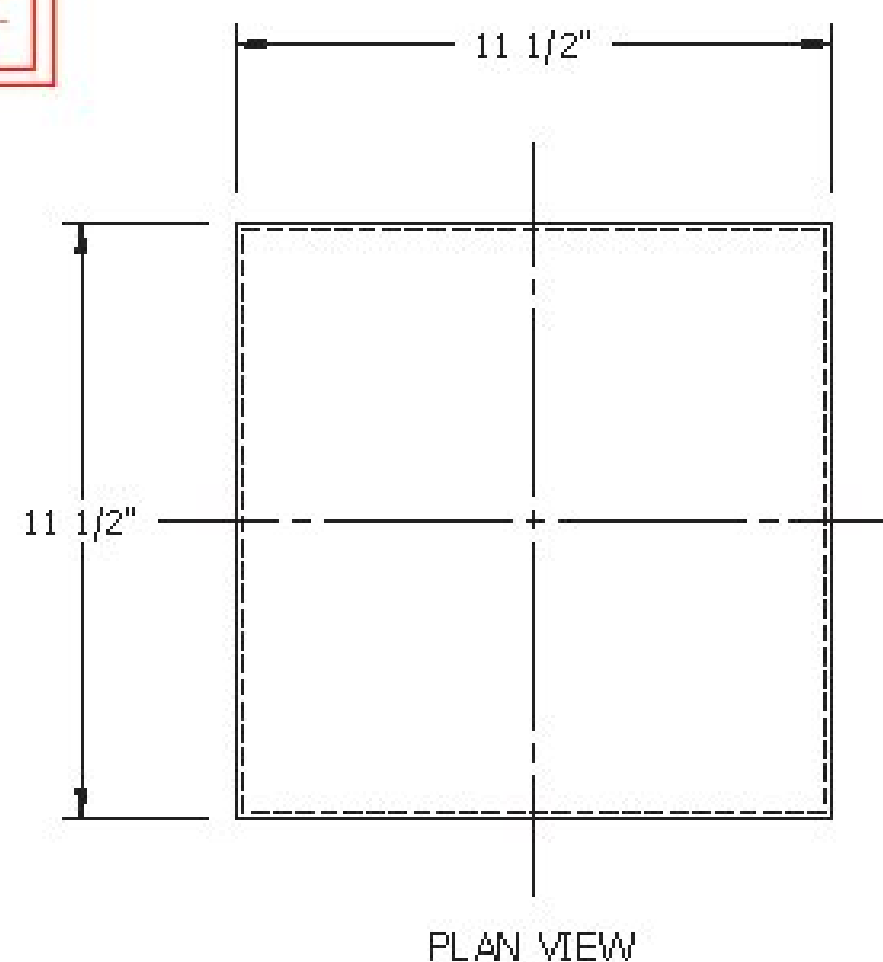
FIELD CHECKED BY THE CONSTRUCTION CONTRACT DOCUMENTS (AS APPROVED, BUT ONLY FOR CONFORMANCE TO THE DESIGN SCOPE OF THE WORK, AND SUBJECT TO THE CONSTRUCTION CONTRACT DOCUMENTS AND REQUIREMENTS CONTAINED IN THE CONSTRUCTION CONTRACT DOCUMENTS)
 REVISIONS HYDRO-ABRASION RESIST FINISHES (AS NOTED)

CORRECTIONS OR COMMENTS MADE ON THE SHOP DRAWINGS DURING THIS REVIEW SHALL BE IN BLUE INK. CORRECTIONS SHALL BE MADE WITH NO DIMENSIONS OF THE DRAWINGS AND SPECIFICATIONS. THIS CHECK IS ONLY FOR REVIEW OF GENERAL CONFORMANCE WITH THE DESIGN CONCEPT OF THE PROJECT AND GENERAL CONFORMANCE WITH THE INFORMATION IN THE CONTRACT DOCUMENTS. THE CONTRACTOR IS RESPONSIBLE FOR CORRECTING AND CORRECTING ALL QUANTITIES AND DIMENSIONS SELECTING APPROPRIATE PACKAGES AND COMPLETION OF CONSTRUCTION. COORDINATED WITH WORK WITH THAT OF ALL OTHER TRADES AND PERFORMING THEIR WORK IN A SAFE AND MANNER.

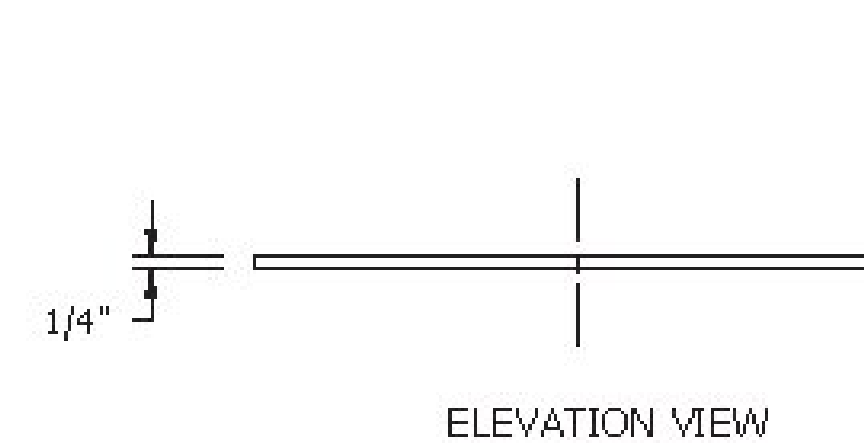
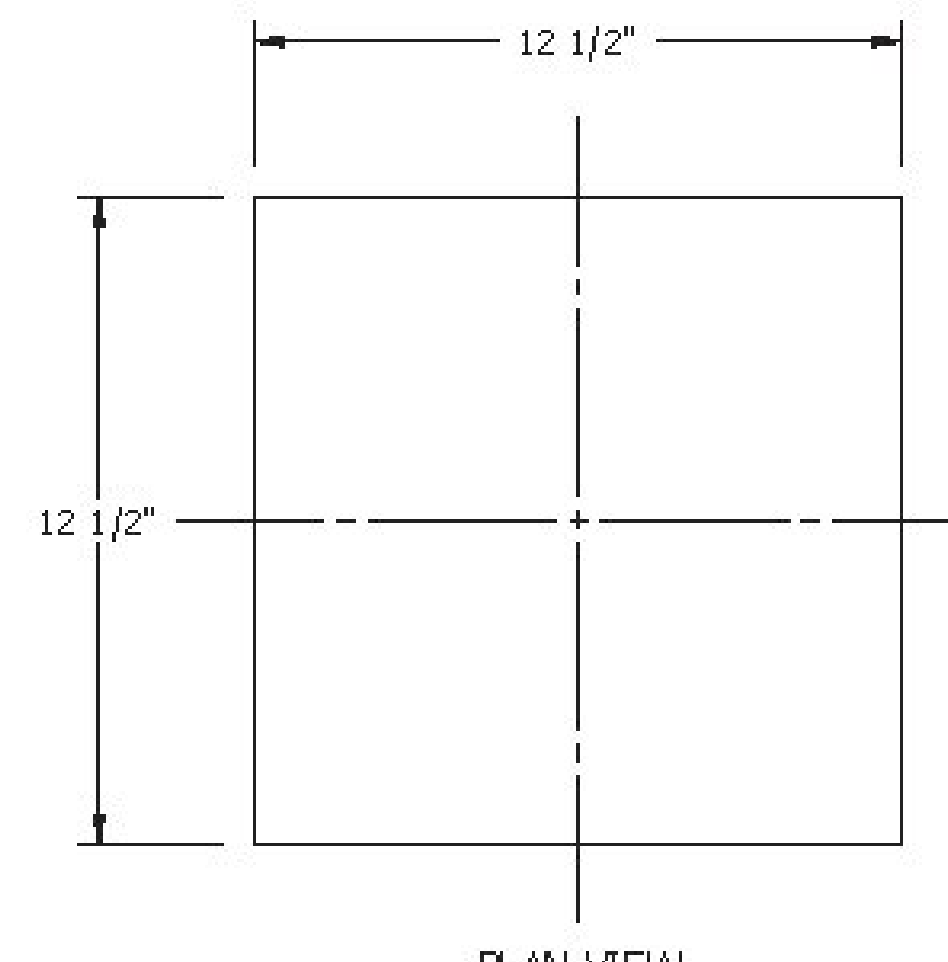
ELD Engineering & Design
 120121
 Reviewed by: S.E.R.
 Date: 02/20/2015

Vermont Agency of Transportation
RECEIVED
 ON: February 9, 2015
 and Checked for
CONFORMANCE
 BY: Rob young DATE: 02/20/2015

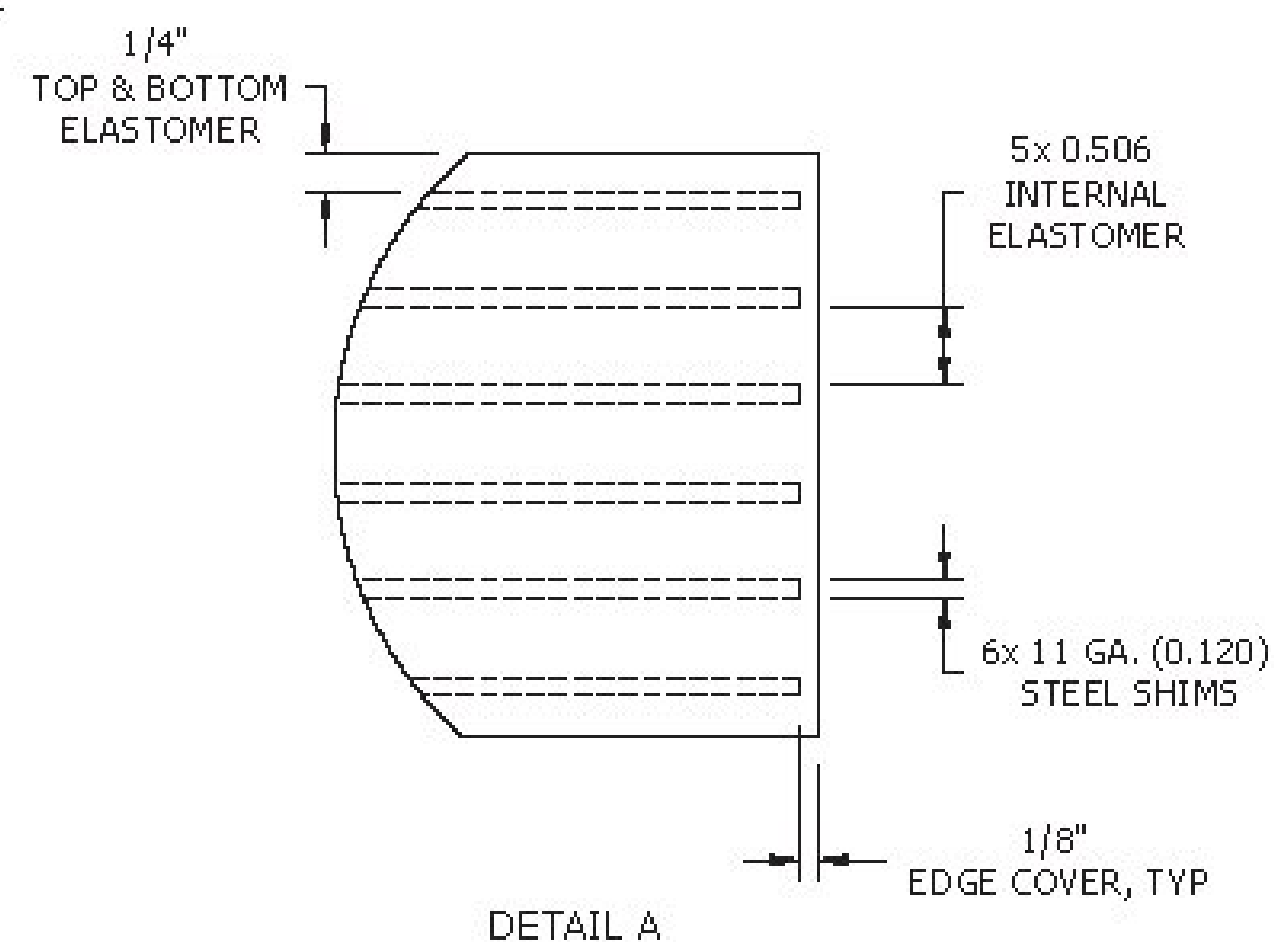
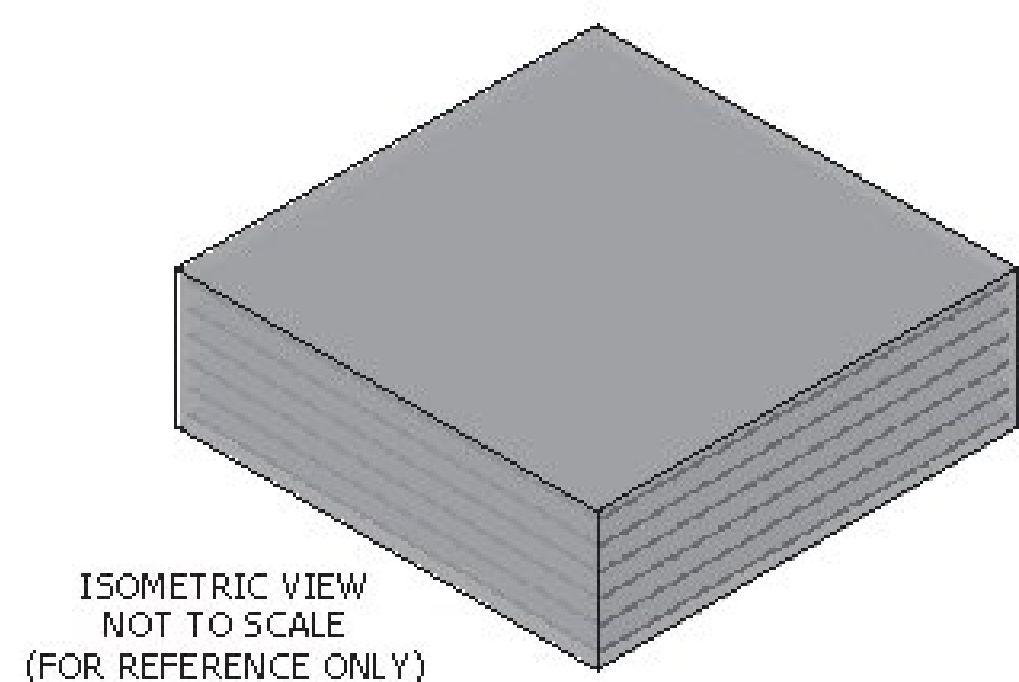
| REVISIONS | | | |
|-----------|-------------|----|----------|
| REV. | DESCRIPTION | BY | DATE |
| A | SUBMITTAL | AL | 2/6/2015 |



**MK.01
 BEARING PADS
 (16) REQ'D**



**MK.02
 SHIM PLATES
 (16) REQ'D**



ALL DIMENSIONS ARE IN INCHES UNLESS OTHERWISE SPECIFIED

NOTE
 INFORMATION SET FORTH IN THIS DRAWING IS PROPRIETARY WITH Seismic Energy Products, Inc. THIS DRAWING SHALL NOT BE REPRODUCED, COPIED, LOANED OR SUBMITTED TO OUTSIDE PARTIES FOR EXAMINATION WITHOUT OUR CONSENT EXCEPT FOR THE PURPOSE FOR WHICH IT WAS INTENDED.

PROJECT NO. BRF 02693(13)
 COUNTY CALEDONIA
 TOWN BURKE

SEP Seismic Energy Products, Inc.
 STRUCTURAL BEARINGS FOR BRIDGES & BUILDINGS
 ATHENS, TX PHONE: 903-675-8571

BEARING ASSY FOR:
 STATE OF VERMONT AGENCY OF TRANSPORTATION
 VT ROUTE 114 (MAJOR COLLECTOR) BRIDGE NO. 13

CONTRACTOR: **T. BUCK CONSTRUCTION**

| | | |
|--------------------|-------------|------------------------------|
| DRAWN ALUTTRELL | DATE 2/5/15 | PO # 028928 |
| CHECKED | DATE | SO NO. & ST. 61818 VT |
| REVIEWED MSPELLMAN | DATE 2/5/15 | SHEET 1 OF 1 |