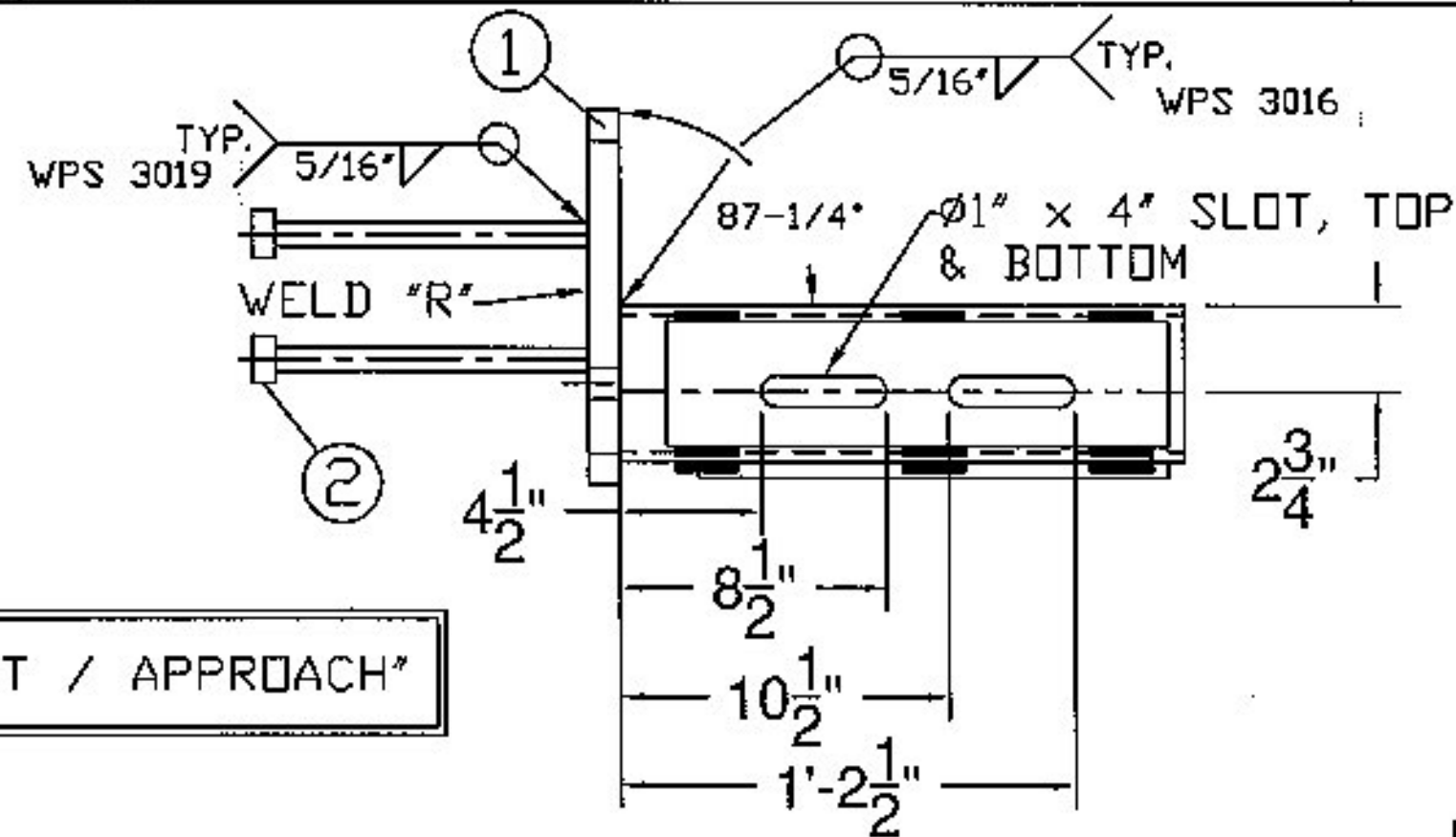
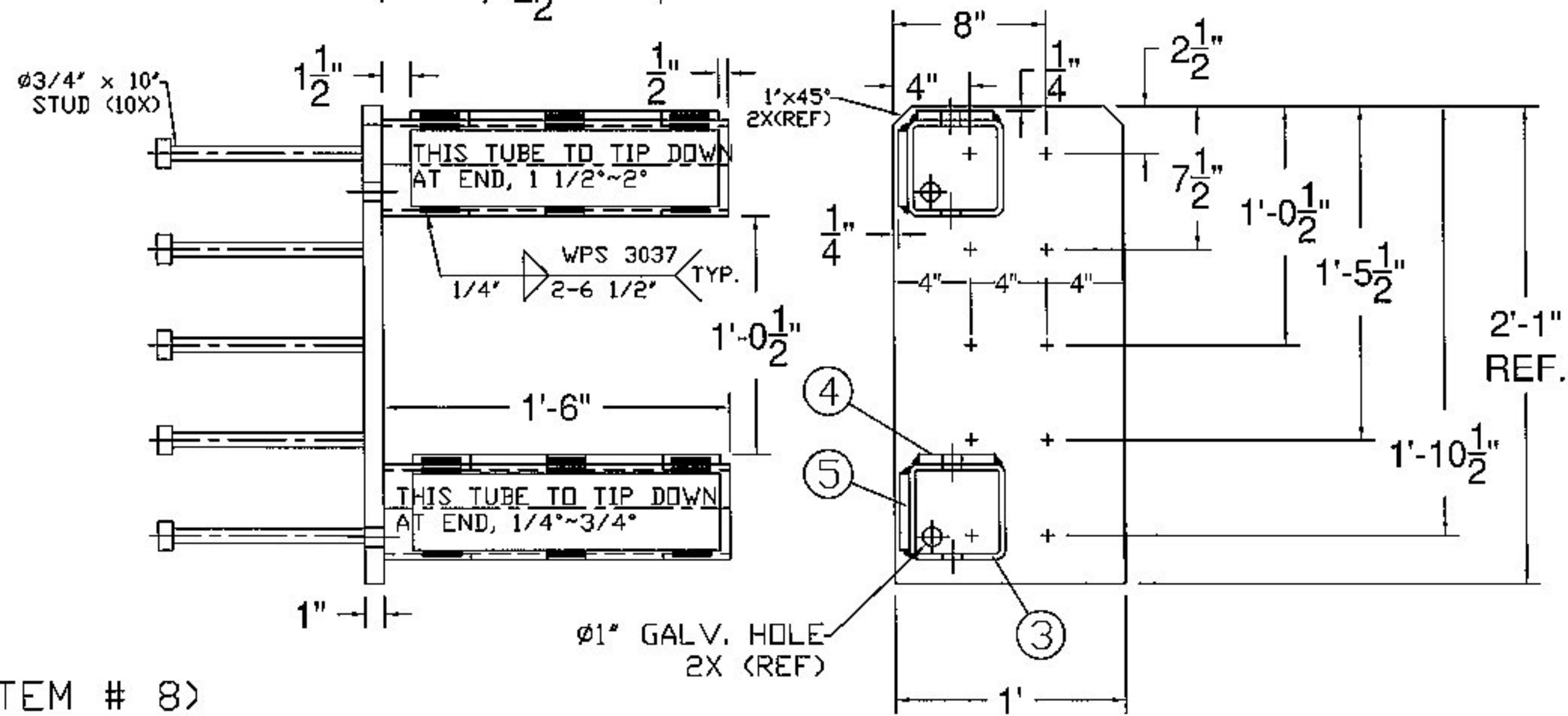


BILL OF MATERIALS			
ITEM #	QTY	DESCRIPTION	ASTM #
1	1	DBL TUBE WALL PLATE - 1' X 12' X 25'	ASTM A572 Gr. 50
2	12	Ø3/4" X 10" STUD	TO BE PURCHASED
3	2	5' X 5' X 5/16" TUBE W/ SLOTS @ 18"	ASTM A500 Gr. B
4	2	SHIM PL 1/2" X 4" X 16" W/ SLOTS	ASTM A36(ASTM A709 Gr. 36)CVN
5	2	SHIM PL 1/2" X 4" X 16" (W/O SLOTS)	ASTM A36(ASTM A709 Gr. 36)CVN



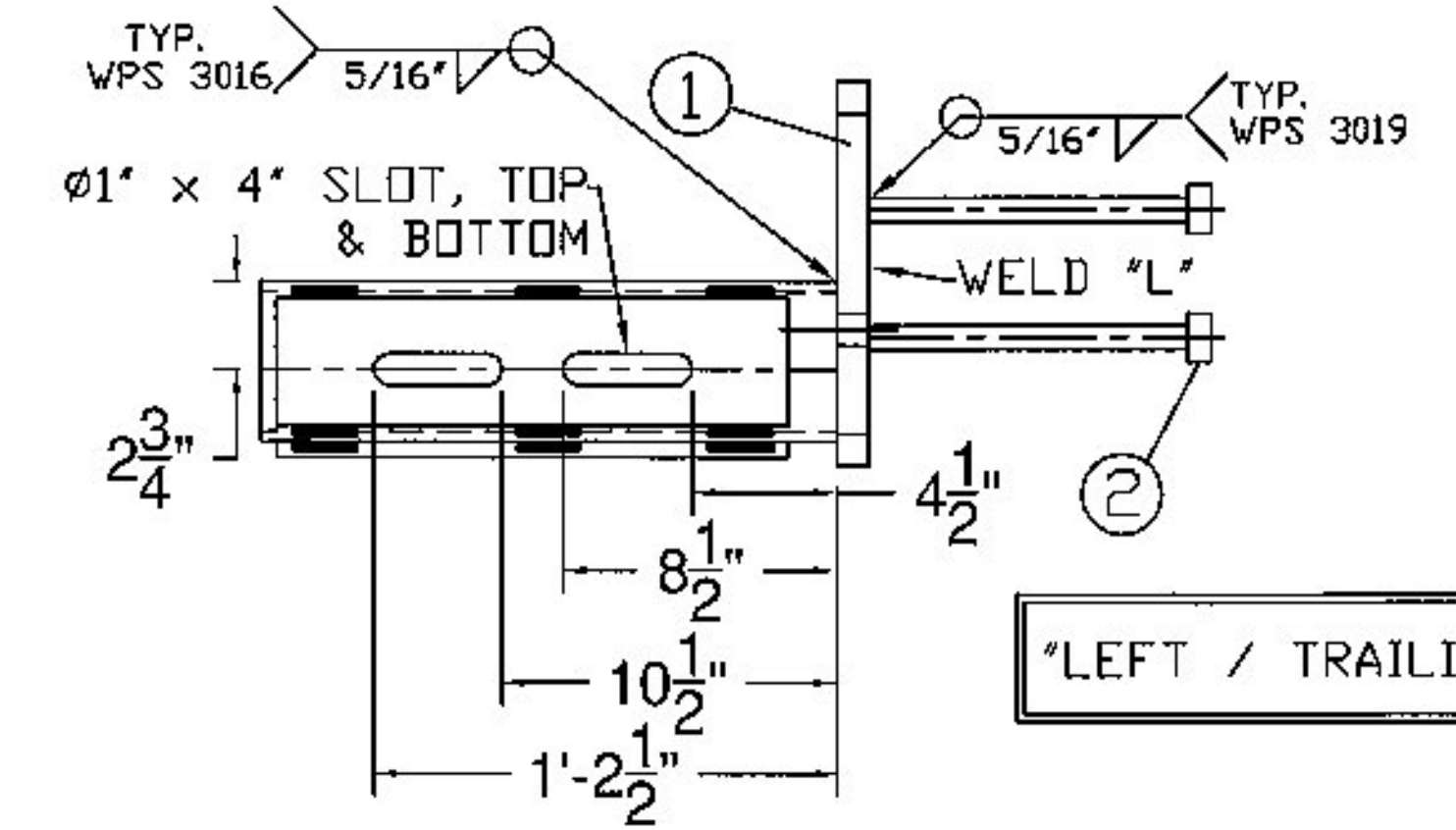
PROTRUSIONS CAUSED BY WELDING OR GALVANIZING ARE NOT PERMITTED ON THE SPLICE TUBES AND FILL PLATES

"RIGHT / APPROACH"



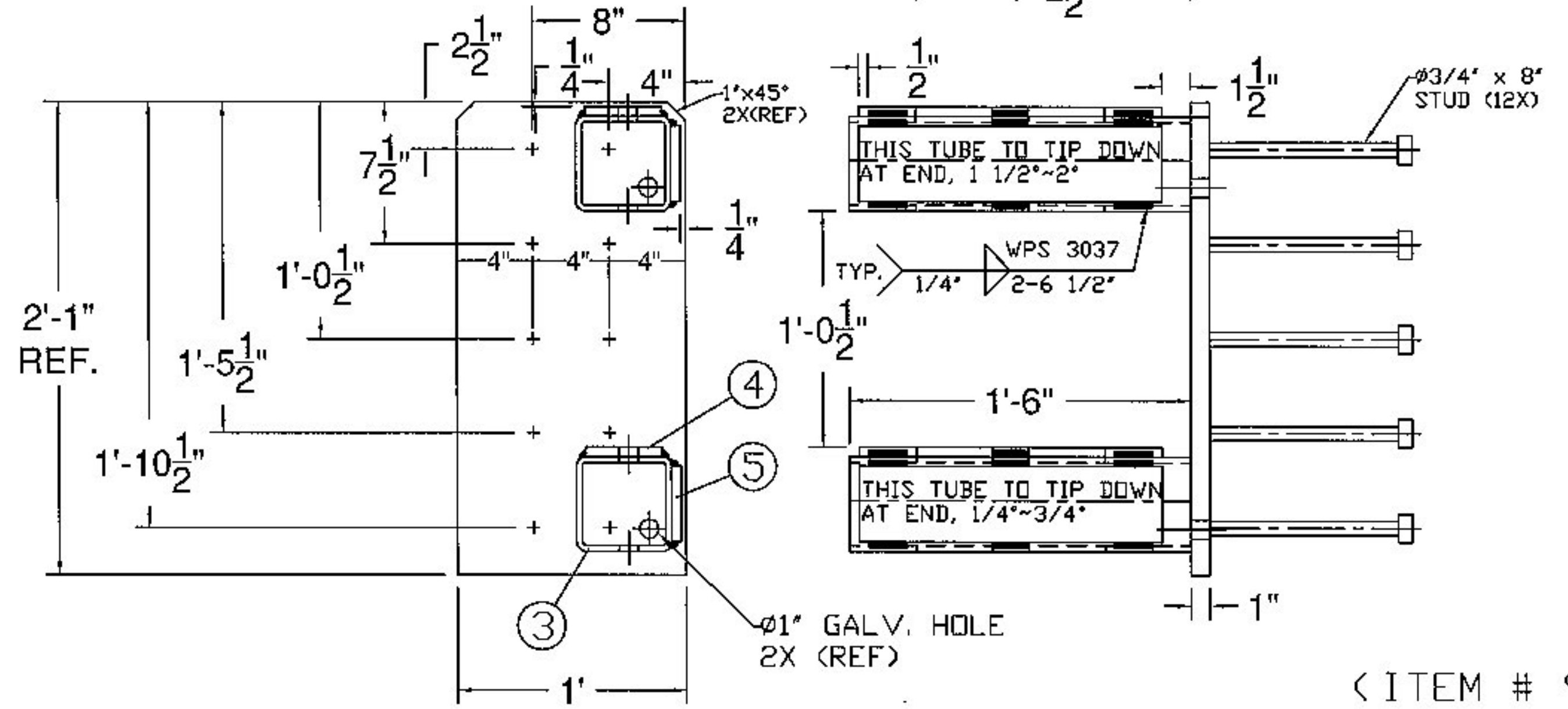
(ITEM # 8)

BILL OF MATERIALS			
ITEM #	QTY	DESCRIPTION	ASTM #
1	1	DBL TUBE WALL PLATE - 1' X 12' X 25'	ASTM A572 Gr. 50
2	12	Ø3/4" X 8" STUD	TO BE PURCHASED
3	2	5' X 5' X 5/16" TUBE W/ SLOTS @ 18"	ASTM A500 Gr. B
4	2	SHIM PL 1/2" X 4" X 16" W/ SLOTS	ASTM A36(ASTM A709 Gr. 36)CVN
5	2	SHIM PL 1/2" X 4" X 16" (W/O SLOTS)	ASTM A36(ASTM A709 Gr. 36)CVN



PROTRUSIONS CAUSED BY WELDING OR GALVANIZING ARE NOT PERMITTED ON THE SPLICE TUBES AND FILL PLATES

"LEFT / TRAILING"



(ITEM # 9)

Vermont Agency of Transportation  
**RECEIVED**  
 ON: February 25, 2015  
 and Checked for  
**CONFORMANCE**  
 BY: Rob Young DATE: 03/23/2015

**SHOP DRAWING REVIEW**

REVIEWED AS REQUIRED BY THE CONSTRUCTION CONTRACT DOCUMENTS AND APPROVED, BUT ONLY FOR CONFORMANCE TO THE DESIGN CONCEPT OF THE WORK, AND SUBJECT TO FURTHER LIMITATIONS AND REQUIREMENTS CONTAINED IN THE CONSTRUCTION CONTRACT DOCUMENTS.

REJECTED  REVISE AND RESUBMIT  APPROVED AS NOTED

CORRECTIONS OR COMMENTS MADE ON THE SHOP DRAWINGS DURING THIS REVIEW DID NOT RELIEVE CONTRACTOR FROM COMPLIANCE WITH REQUIREMENTS OF THE DRAWINGS AND SPECIFICATIONS. THIS CHECK IS ONLY FOR REVIEW OF GENERAL CONFORMANCE WITH THE DESIGN CONCEPT OF THE PROJECT AND GENERAL COMPLIANCE WITH THE INFORMATION GIVEN IN THE CONTRACT DOCUMENTS. THE CONTRACTOR IS RESPONSIBLE FOR CONFIRMING AND CORRELATING ALL QUANTITIES AND DIMENSIONS, SELECTING FABRICATION PROCESSES AND TECHNIQUES OF CONSTRUCTION, COORDINATING THEIR WORK WITH THAT OF ALL OTHER TRADES AND PERFORMING THEIR WORK IN A SAFE AND SATISFACTORY MANNER.

GLD Consulting Engineers  
 240 Commercial Street  
 Montpelier, VT 05602  
 802-588-8222

Job Number: 120121  
 Reviewed by: SBB  
 Date: 3/23/2015

ITEM #: 621.72

STRUCTURAL STEEL TO COMPLY W/ ASTM A6

TOLERANCE UNLESS OTHERWISE NOTED:  
 FRACTIONS = ± 1/16"  
 ANGLES = ± 1/2"  
 DIAMETERS = ± 1/32"

**Galvanized 2-Rail Box Beam Guardrail Approach Section**  
 EM14-277, VT ROUTE 114 (MAJOR COLLECTOR) BRIDGE #13  
 PROJECT: BURKE BRIDGE 0269 (13), TOWN OF BURKE, CALEDONIA COUNTY, VT

R	NO.	DATE	DESCRIPTION	BY	R	NO.	DATE	DESCRIPTION	BY
E <td></td> <td></td> <td></td> <td></td> <td>E <td></td> <td></td> <td></td> <td></td> </td>					E <td></td> <td></td> <td></td> <td></td>				

**ELDERLEE, INC.**  
 OAKS CORNERS, NEW YORK 14518  
 E-Mail: dlong@elderlee.com / epeek@elderlee.com  
 Tel: 315-288-6870 Fax: 315-288-6616

DRAWN	E.P.	2/16/17
CHECKED	D.L.	2/20/15
APPROVED	M.V.	
SCALE	SCHEMATIC	
DRAWING NO.	FR L - BURKE-T	

SHEET 5 OF 5