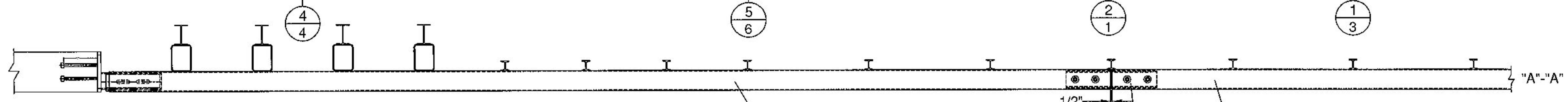
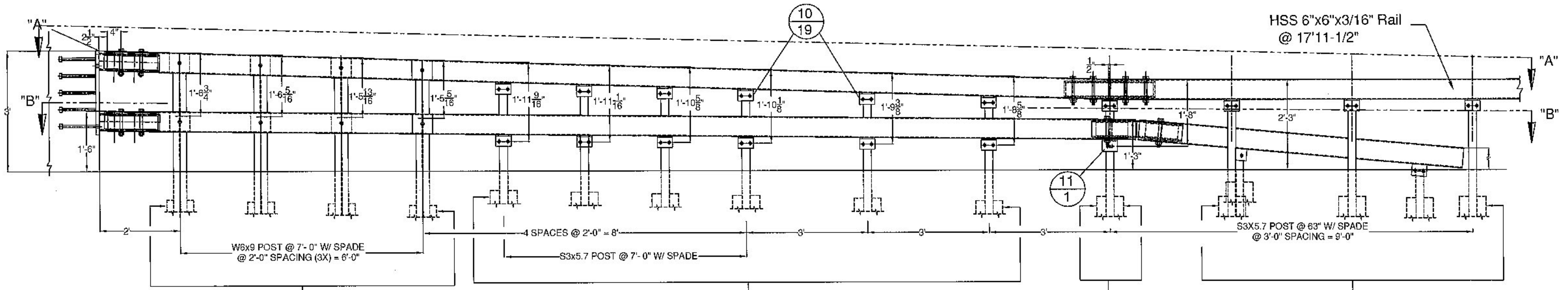
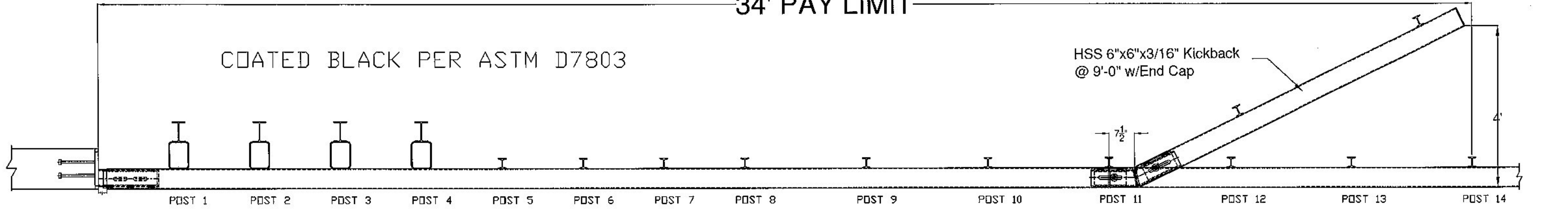


34' PAY LIMIT

COATED BLACK PER ASTM D7803

HSS 6"x6"x3/16" Kickback  
@ 9'-0" w/End Cap



SEE ADDITIONAL SHEETS FOR DETAILED VIEWS

GUARD RAIL TO BRIDGE RAIL TRANSITION  
(APPROACH SHOWN)



Vermont Agency of Transportation  
**RECEIVED**  
ON: February 25, 2015  
and Checked for  
**CONFORMANCE**  
BY: Rob Young DATE: 03/23/2015

**SHOP DRAWING REVIEW**

REVIEWED AS REQUIRED BY THE CONSTRUCTION CONTRACT DOCUMENTS AND APPROVED, BUT ONLY FOR CONFORMANCE TO THE DESIGN CONCEPT OF THE WORK, AND SUBJECT TO FURTHER LIMITATIONS AND REQUIREMENTS CONTAINED IN THE CONSTRUCTION CONTRACT DOCUMENTS.

REJECTED  REVISE AND RESUBMIT  APPROVED AS NOTED

CORRECTIONS OR COMMENTS MADE ON THE SHOP DRAWINGS DURING THIS REVIEW DID NOT RELIEVE CONTRACTOR FROM COMPLIANCE WITH REQUIREMENTS OF THE DRAWINGS AND SPECIFICATIONS. THIS CHECK IS ONLY FOR REVIEW OF GENERAL CONFORMANCE WITH THE DESIGN CONCEPT OF THE PROJECT AND GENERAL COMPLIANCE WITH THE INFORMATION GIVEN IN THE CONTRACT DOCUMENTS. THE CONTRACTOR IS RESPONSIBLE FOR CONFIRMING AND CORRELATING ALL QUANTITIES AND DIMENSIONS; SELECTING FABRICATION PROCESSES AND TECHNIQUES OF CONSTRUCTION; COORDINATING THEIR WORK WITH THAT OF ALL OTHER TRADES; AND PERFORMING THEIR WORK IN A SAFE AND SATISFACTORY MANNER.

ELDERLEE CONSULTING ENGINEERS  
340 Commercial Street  
Manchester, NH 03101  
603-488-8222

Job Number: 120121  
Reviewed by: SBR  
Date: 3/23/2015

ITEM #: 621.72

STRUCTURAL STEEL TO COMPLY W/ ASTM A6

TOLERANCE UNLESS OTHERWISE NOTED:  
FRACTIONS = ± 1/16"  
ANGLES = ± 1/2"  
DIAMETERS = ± 1/32"

Galvanized 2-Rail Box Beam Guardrail Approach Section

EM14-277, VT ROUTE 114 (MAJOR COLLECTOR) BRIDGE #13  
PROJECT: BURKE BRIDGE 0269 (13), TOWN OF BURKE, CALEDONIA COUNTY, VT

R NO.	DATE	DESCRIPTION	BY	R NO.	DATE	DESCRIPTION	BY

DRAWN	E.P.	2/18/17
CHECKED	D.L.	2/20/15
APPROVED	M.V.	
SCALE	SCHEMATIC	
DRAWING NO.	FR L - BURKE-Y	

**ELDERLEE, INC.**  
OAKS CORNERS, NEW YORK 14518  
E-Mail: along@elderlee.com / epeek@elderlee.com  
Tel: 315-789-6670 Fax: 315-789-6615