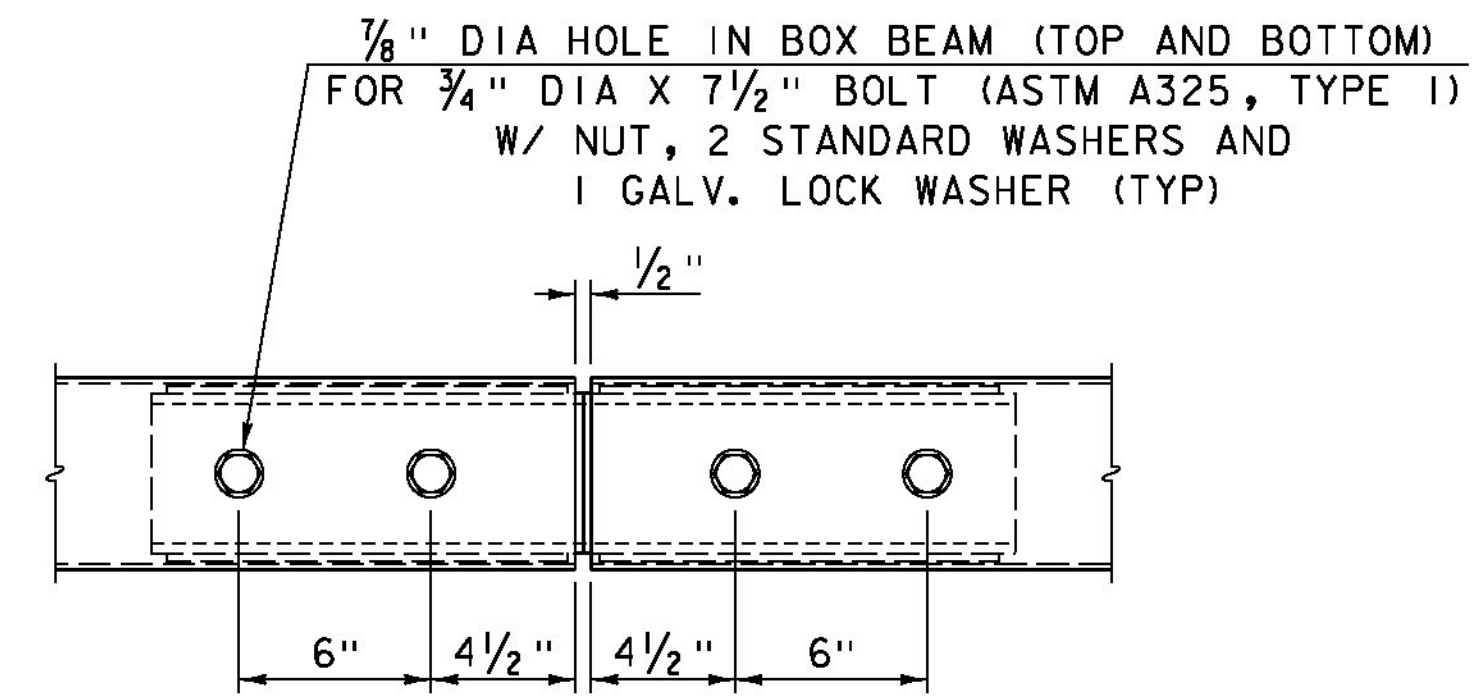
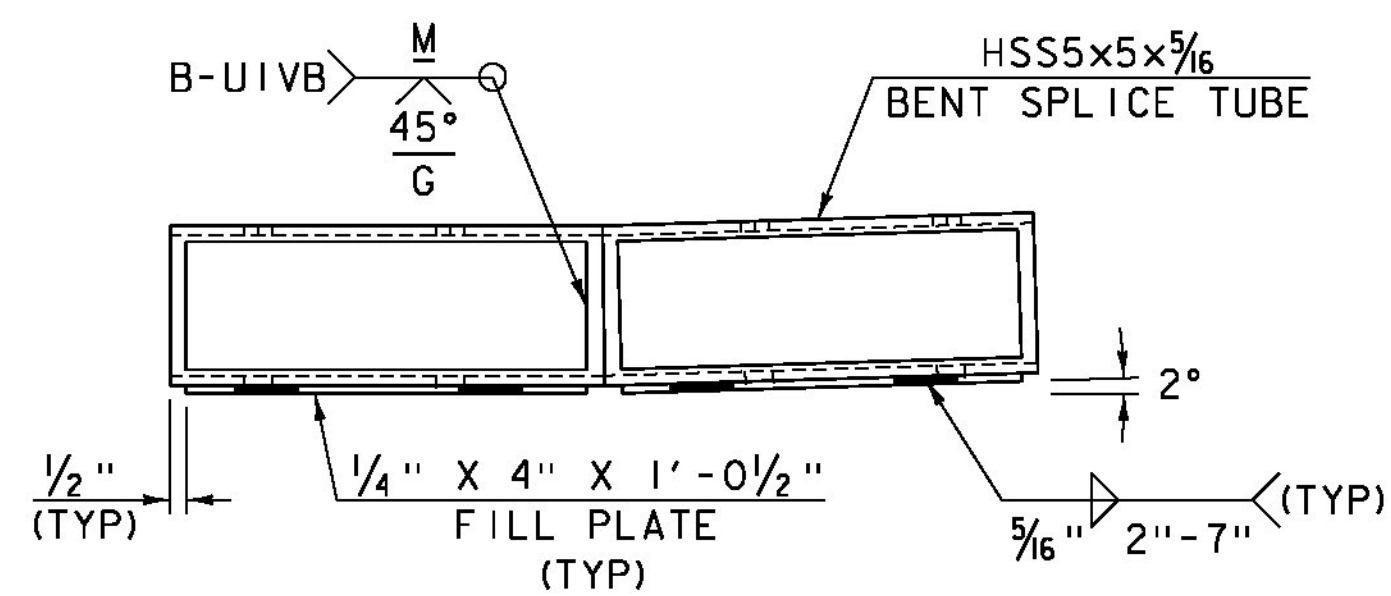


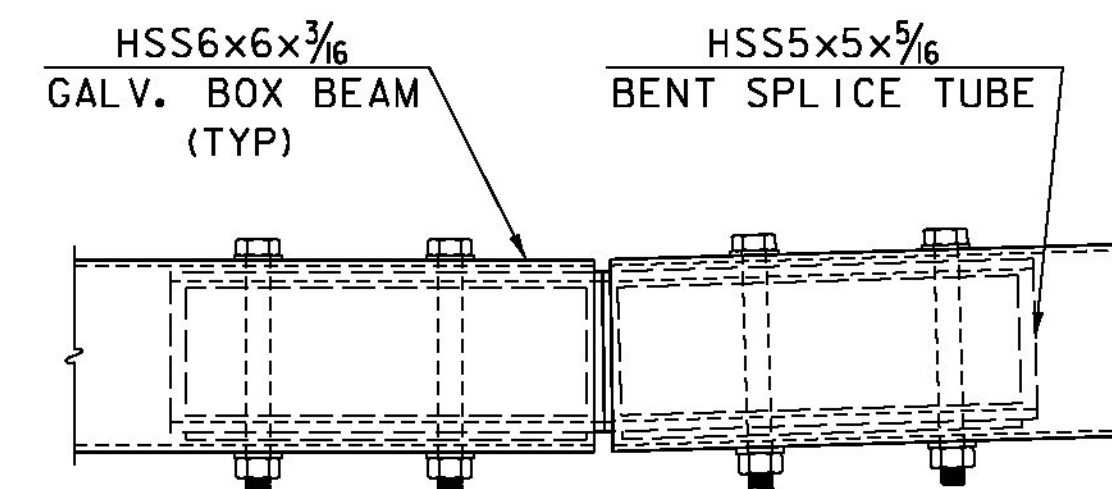
FIXED SPLICE TUBE PLAN
NOT TO SCALE



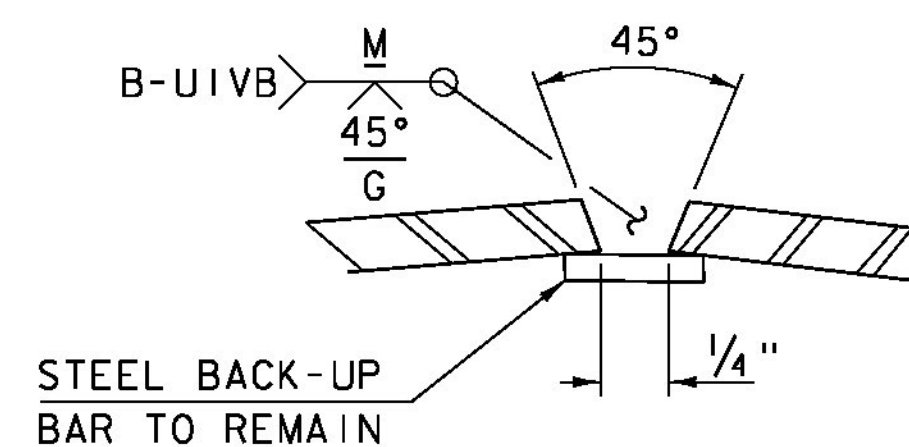
FIXED SPLICE ASSEMBLY PLAN
NOT TO SCALE



FIXED SPLICE TUBE ELEVATION
NOT TO SCALE



FIXED SPLICE ASSEMBLY ELEVATION
NOT TO SCALE



WELD DETAIL
FOR SPLICE TUBE
NOT TO SCALE

CLD 12-0121 MODEL-Rgt105



PROJECT NAME: BURKE
PROJECT NUMBER: BRF 0269(13)

FILE NAME: z10c412rall.dgn
PROJECT LEADER: J. BYATT
DESIGNED BY: S. BEAUMONT
APPROACH RAIL DETAILS (4 OF 4)

PLOT DATE: 10/14/2014
DRAWN BY: M. SMITH
CHECKED BY: J. BYATT
SHEET 55 OF 73