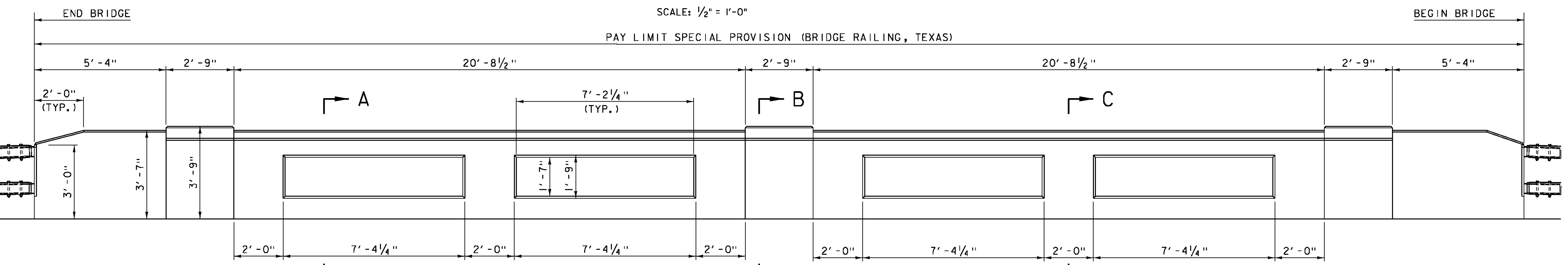


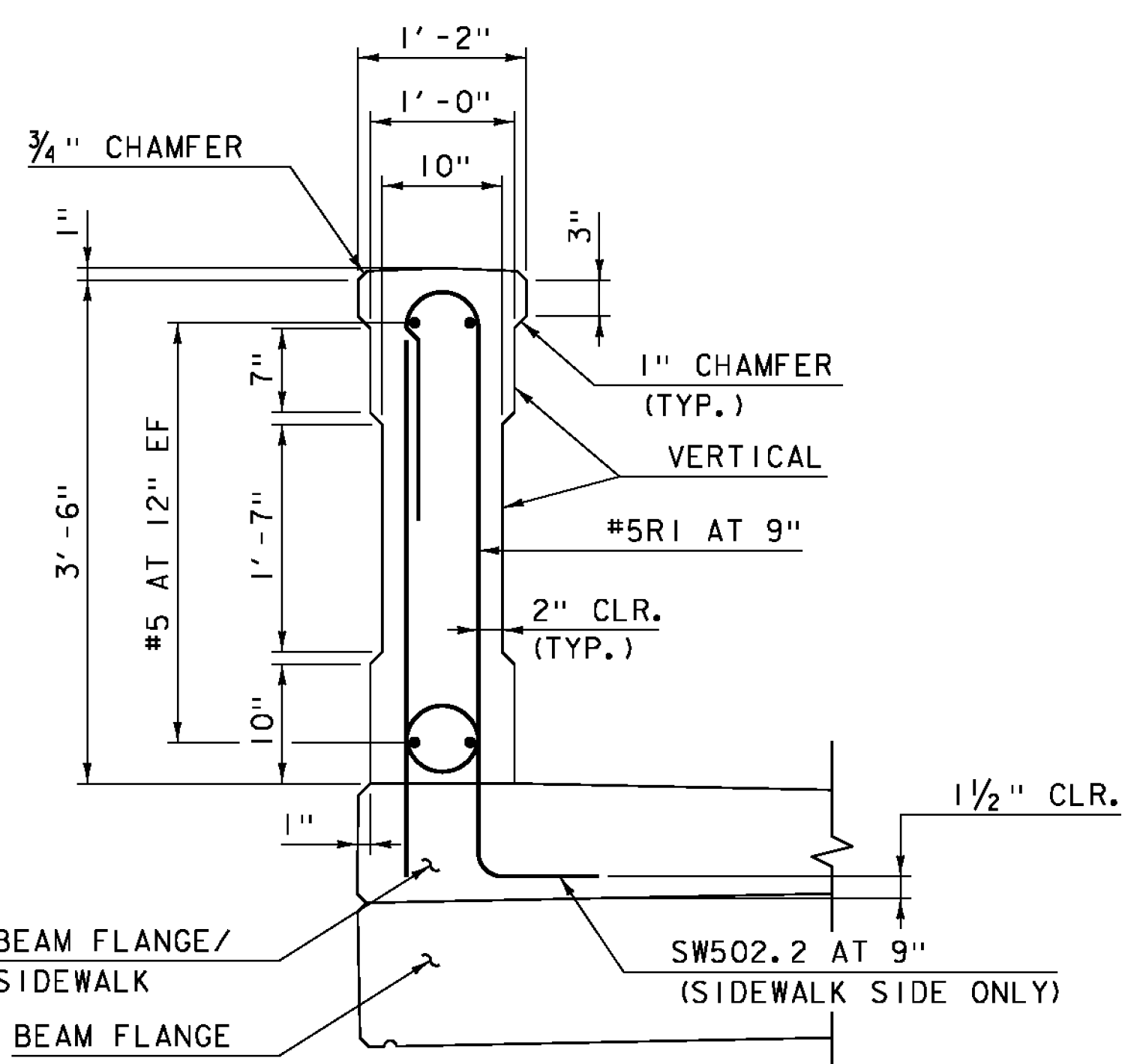
ROADWAY ELEVATION OF RAIL - NORTH

SCALE: 1/2" = 1'-0"



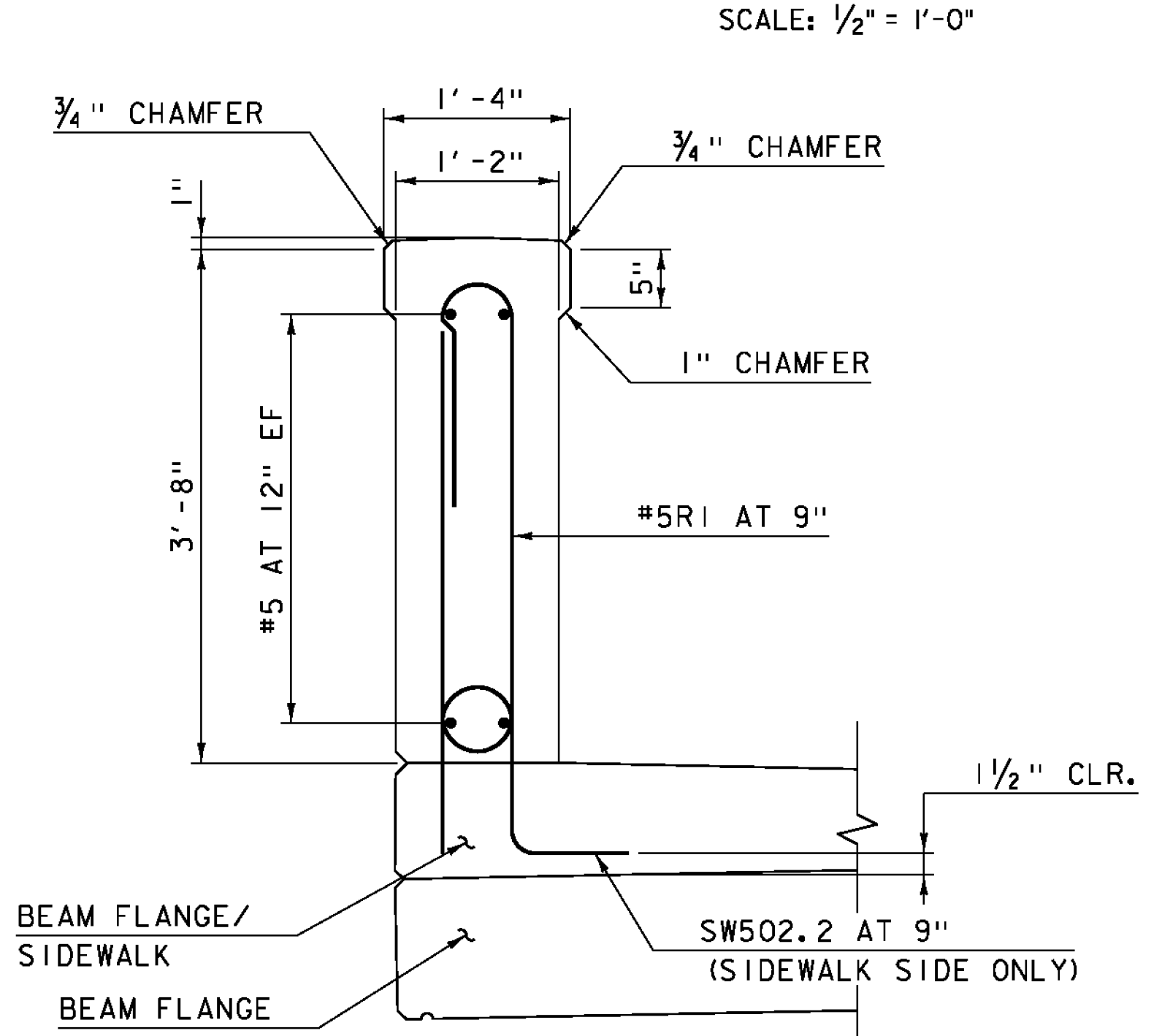
ROADWAY ELEVATION OF RAIL - SOUTH

SCALE: 1/2" = 1'-0"



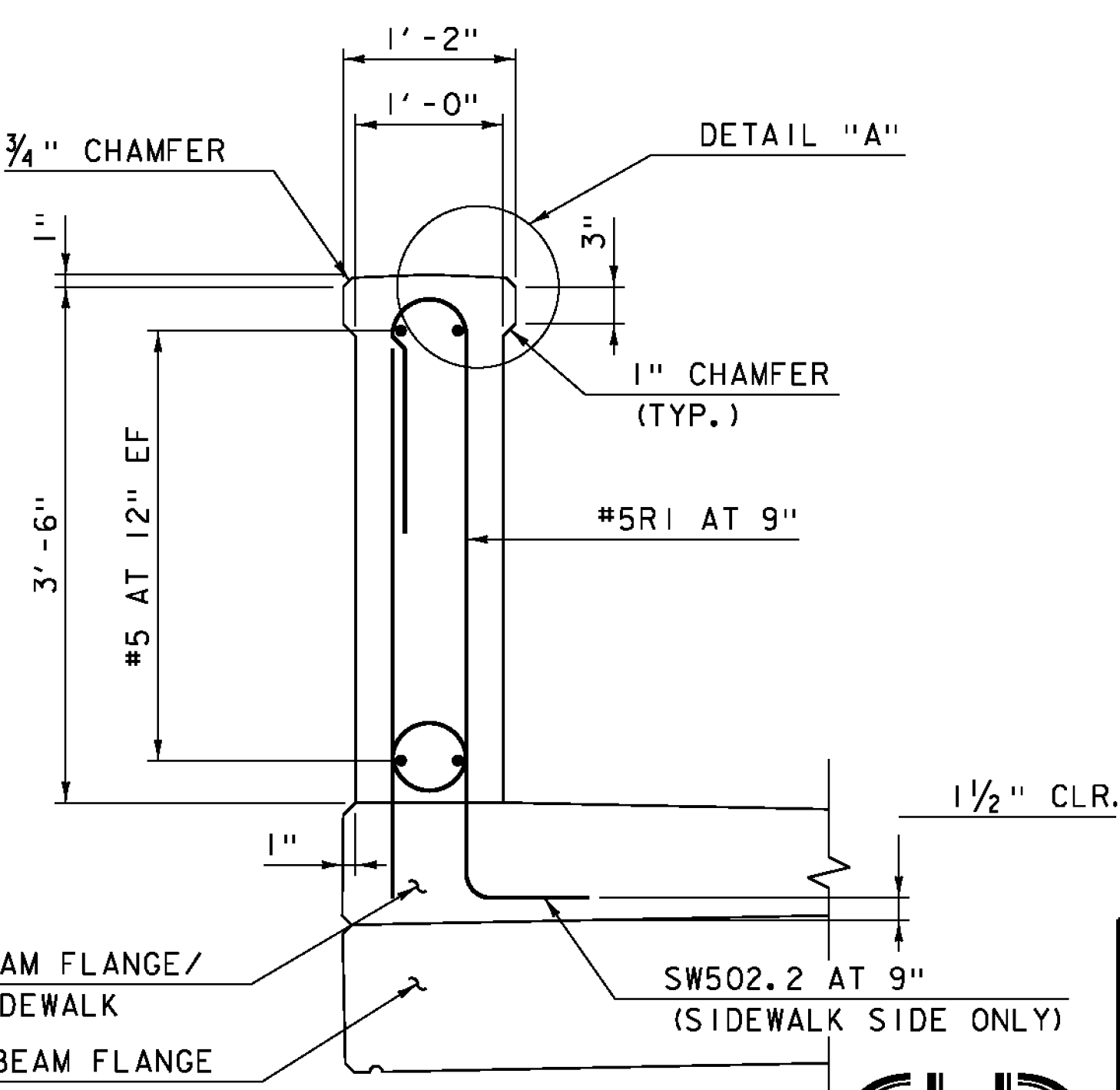
SECTION A-A

SCALE: 1" = 1'-0"



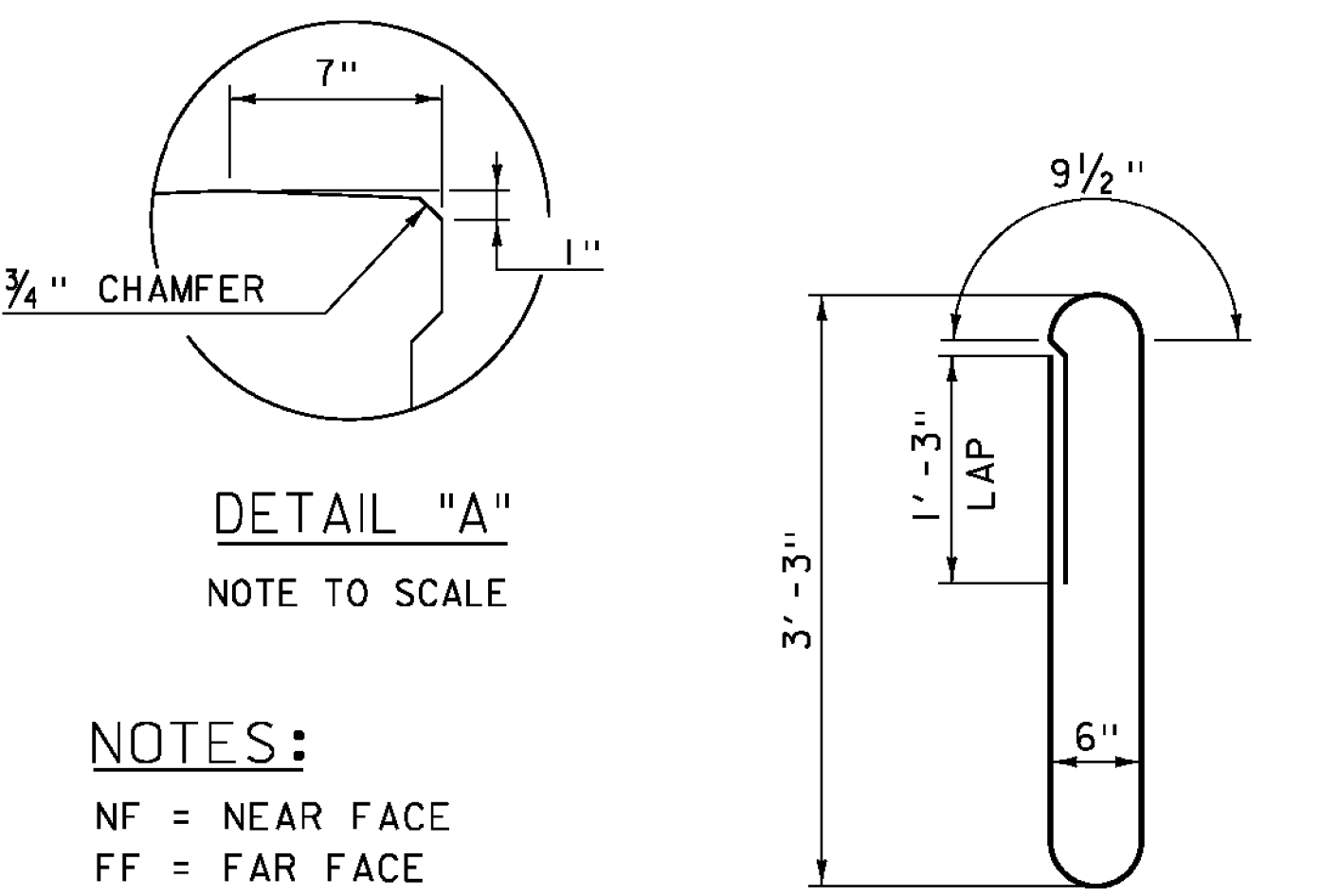
SECTION B-B

SCALE: 1" = 1'-0"



SECTION C-C

SCALE: 1" = 1'-0"



DETAIL "A"

NOTE TO SCALE

NOTES:

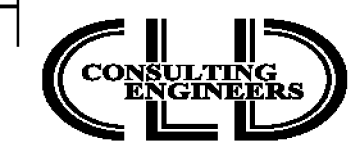
- NF = NEAR FACE
- FF = FAR FACE
- EF = EACH FACE
- 3" CLEAR, UNLESS OTHERWISE SPECIFIED ON THE THE PLANS.
- 2'-2" BAR LAP UNLESS OTHERWISE SPECIFIED ON THE PLANS

BAR #5R1

SCALE: 1" = 1'-0"

55 - REQUIRED

PROJECT NAME: BURKE	FILE NAME: z10c412r.dgn	PLOT DATE: 10/14/2014
PROJECT NUMBER: BRF 0269(13)	PROJECT LEADER: J. BYATT	DRAWN BY: M. SMITH
	DESIGNED BY: S. BEAUMONT	CHECKED BY: J. BYATT
	BRIDGE RAIL DETAILS	SHEET 51 OF 73



CLD 12-0121 MODEL: Rg101