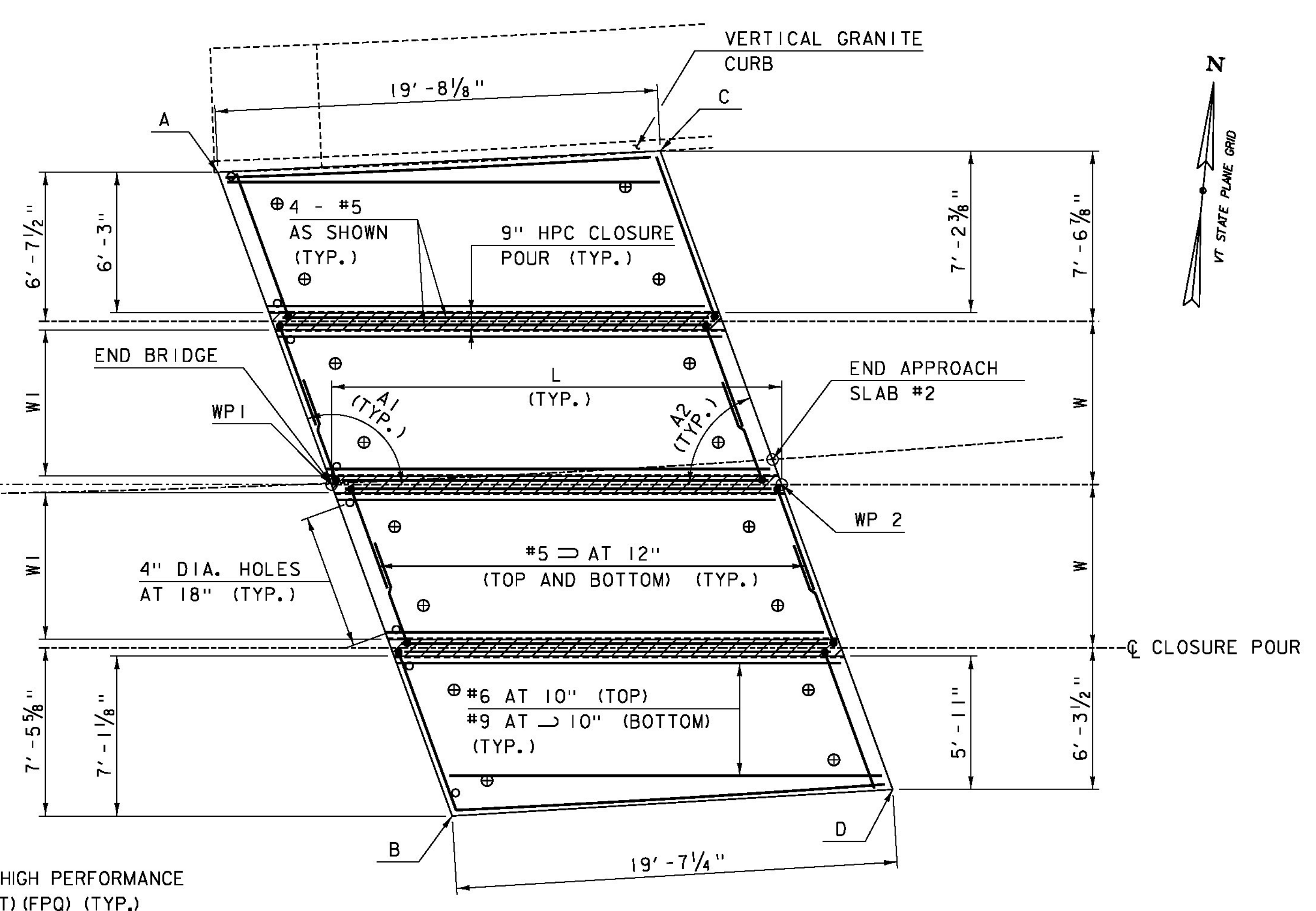


APPROACH SLAB 1 PLAN VIEW  
SCALE:  $\frac{1}{4}" = 1' - 0"$



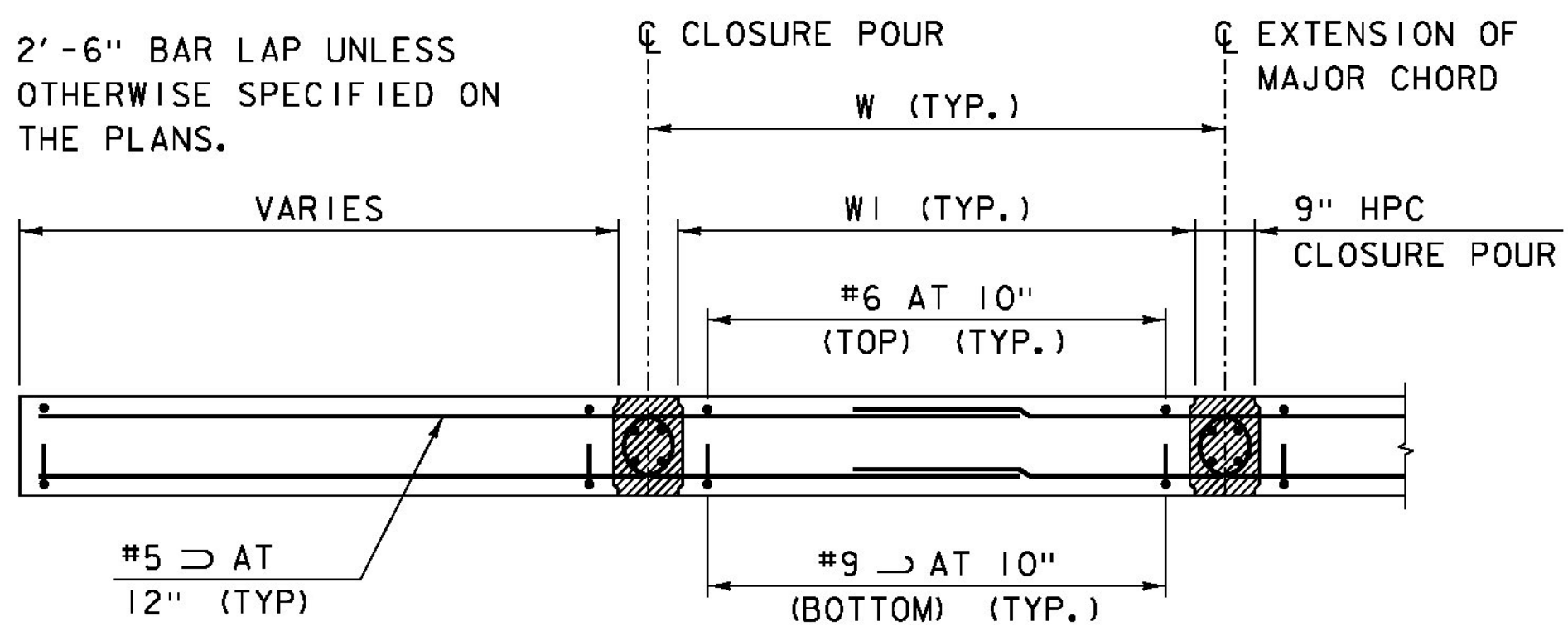
APPROACH SLAB 2 PLAN VIEW  
SCALE:  $\frac{1}{4}" = 1' - 0"$

- NOTES:
- FABRICATOR TO DESIGN LIFTING POINTS AND INCLUDE CALCULATIONS WITH SUBMITTAL.
  - 2" CLEAR UNLESS OTHERWISE SPECIFIED ON THE PLANS.
  - 2' - 6" BAR LAP UNLESS OTHERWISE SPECIFIED ON THE PLANS.

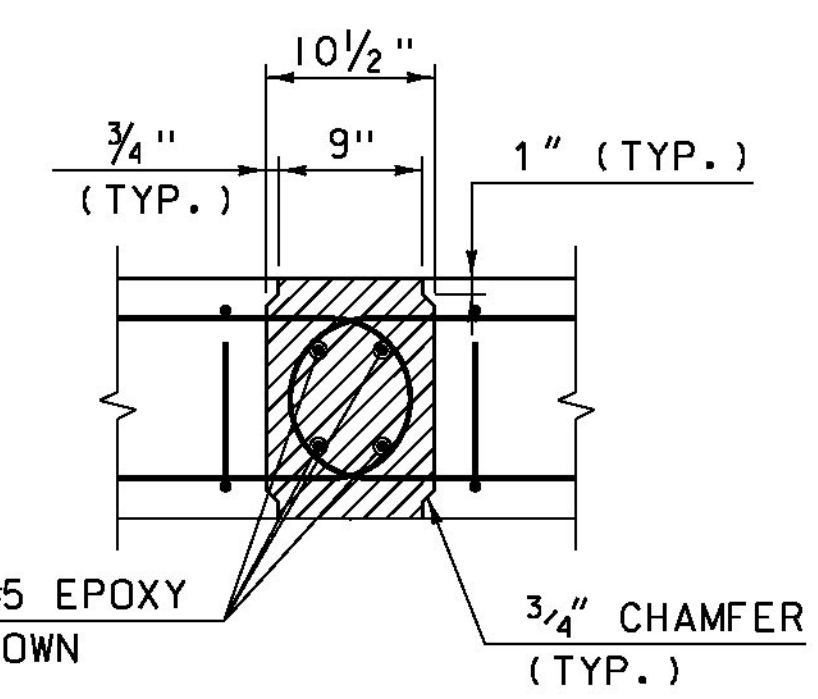
SPECIAL PROVISION (HIGH PERFORMANCE CONCRETE, RAPID SET) (FPQ) (TYP.)

APPROACH SLAB ELEVATIONS

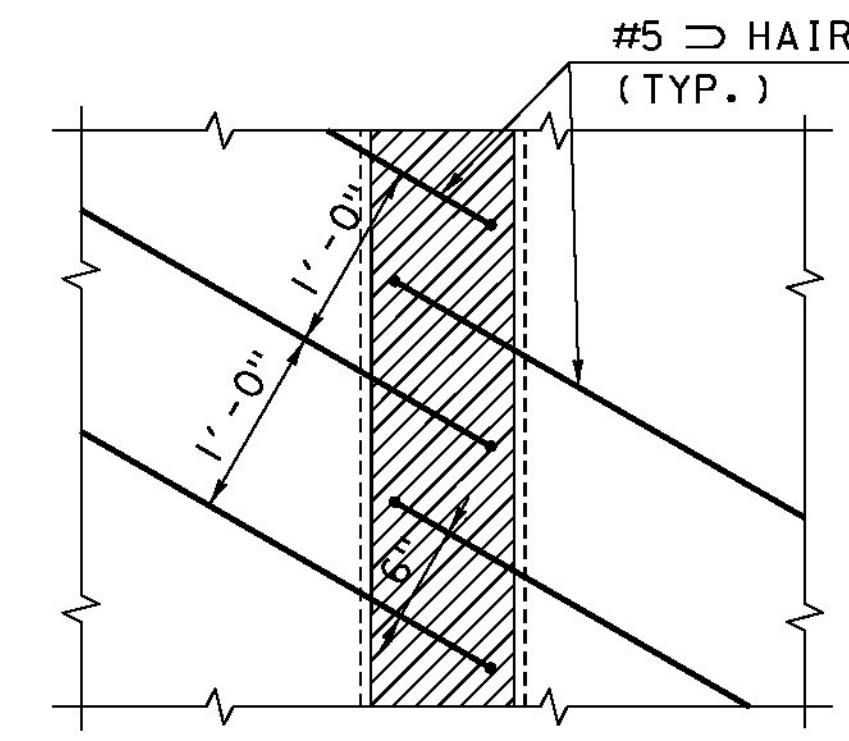
	STATION	OFFSET	TOP OF SLAB ELEVATION
1A	25+37.75	-14.00	827.35
BEGIN AS #1	25+43.67	0.00	827.85
WP1 AS #1	25+44.11	1.04	827.89
1B	25+50.39	15.89	828.39
1C	25+58.19	-14.00	828.77
BEGIN BRIDGE	25+64.06	0.00	828.59
WP2 AS #1	25+64.08	0.06	828.60
1D	25+70.08	15.00	829.11
2A	26+18.36	-14.00	830.57
END BRIDGE	26+22.91	0.00	830.28
WP1 AS #2	26+42.89	1.14	830.72
2B	26+27.59	15.00	830.68
2C	26+38.42	-14.00	830.99
END AS #2	26+42.56	0.00	830.69
WP2 AS #2	26+22.93	0.06	830.28
2D	26+46.81	15.00	831.08



SECTION A-A  
SCALE:  $\frac{1}{2}" = 1' - 0"$



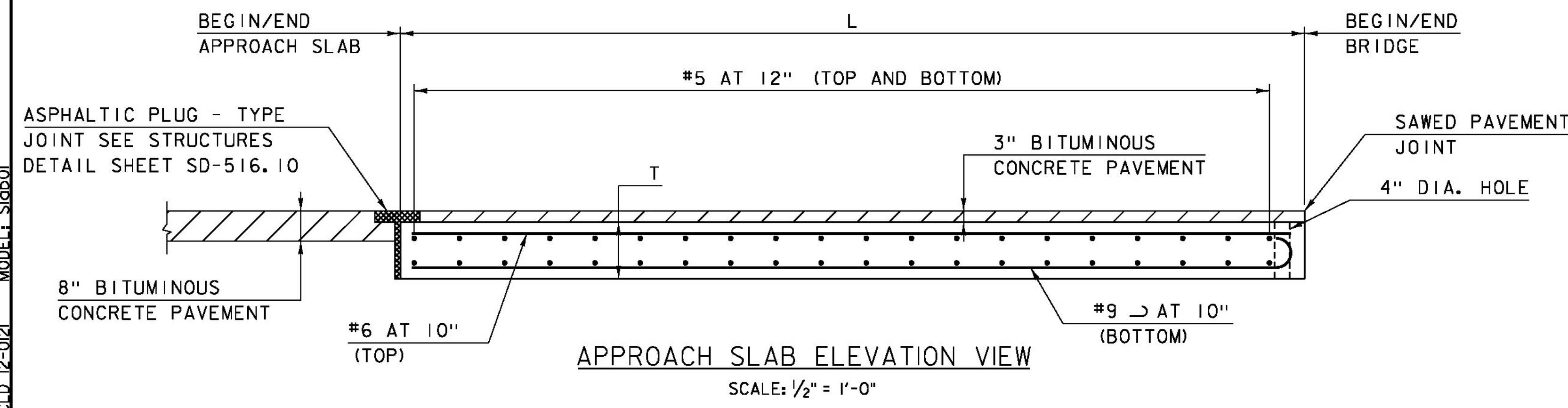
JOINT DETAIL SECTION  
SCALE: 1" = 1' - 0"



JOINT DETAIL PLAN  
SCALE: 1" = 1' - 0"

APPROACH SLAB DIMENSIONS

APPROACH SLAB #1	A1	110°
	A2	70°
APPROACH SLAB #2	A1	110°
	A2	70°
T	1.25	
L	20.00	
W	7.25	
W1	6.50	



APPROACH SLAB ELEVATION VIEW  
SCALE:  $\frac{1}{2}" = 1' - 0"$



PROJECT NAME: BURKE  
 PROJECT NUMBER: BRF 0269(13)  
 FILE NAME: z10c412slab.dgn  
 PROJECT LEADER: J. BYATT  
 DESIGNED BY: S. BEAUMONT  
 APPROACH SLAB DETAILS

PLOT DATE: 10/14/2014  
 DRAWN BY: M. SMITH  
 CHECKED BY: J. BYATT  
 SHEET 49 OF 73

C.L.D. 12-0121 MODEL: Slab01