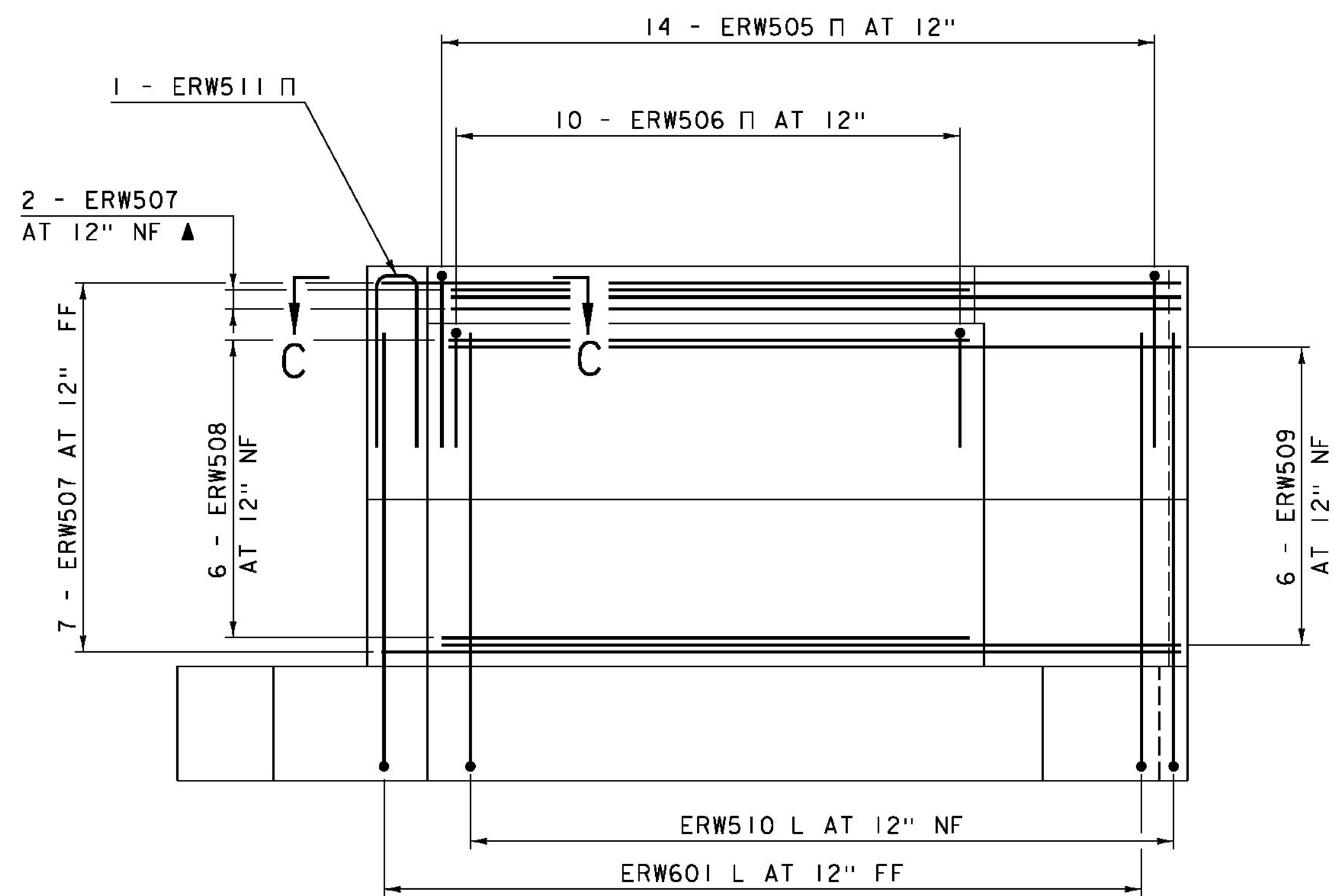


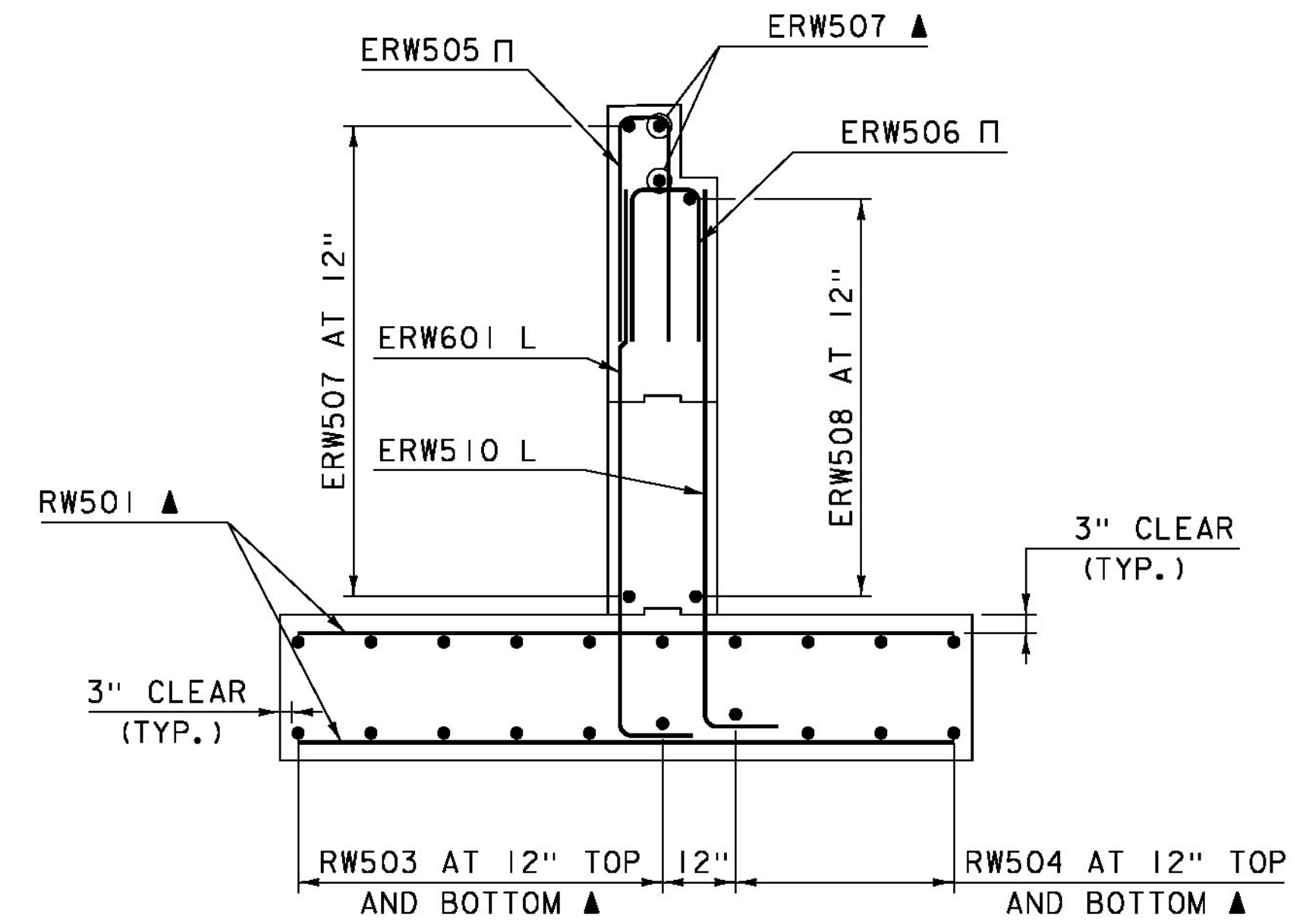
RETAINING WALL FOOTING REINFORCING PLAN

SCALE: 1/2" = 1'-0"



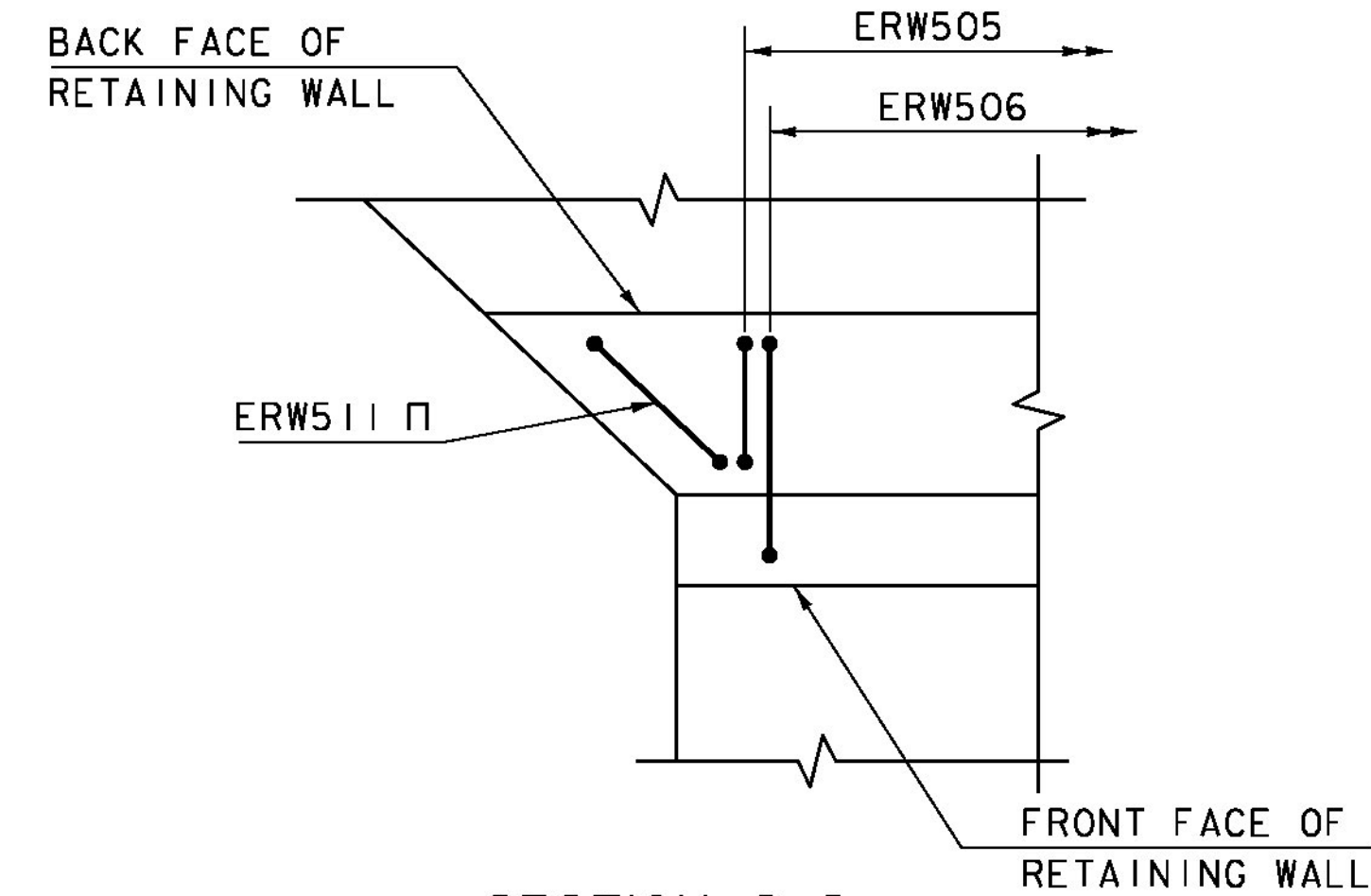
RETAINING WALL REINFORCING ELEVATION

SCALE: 1/2" = 1'-0"



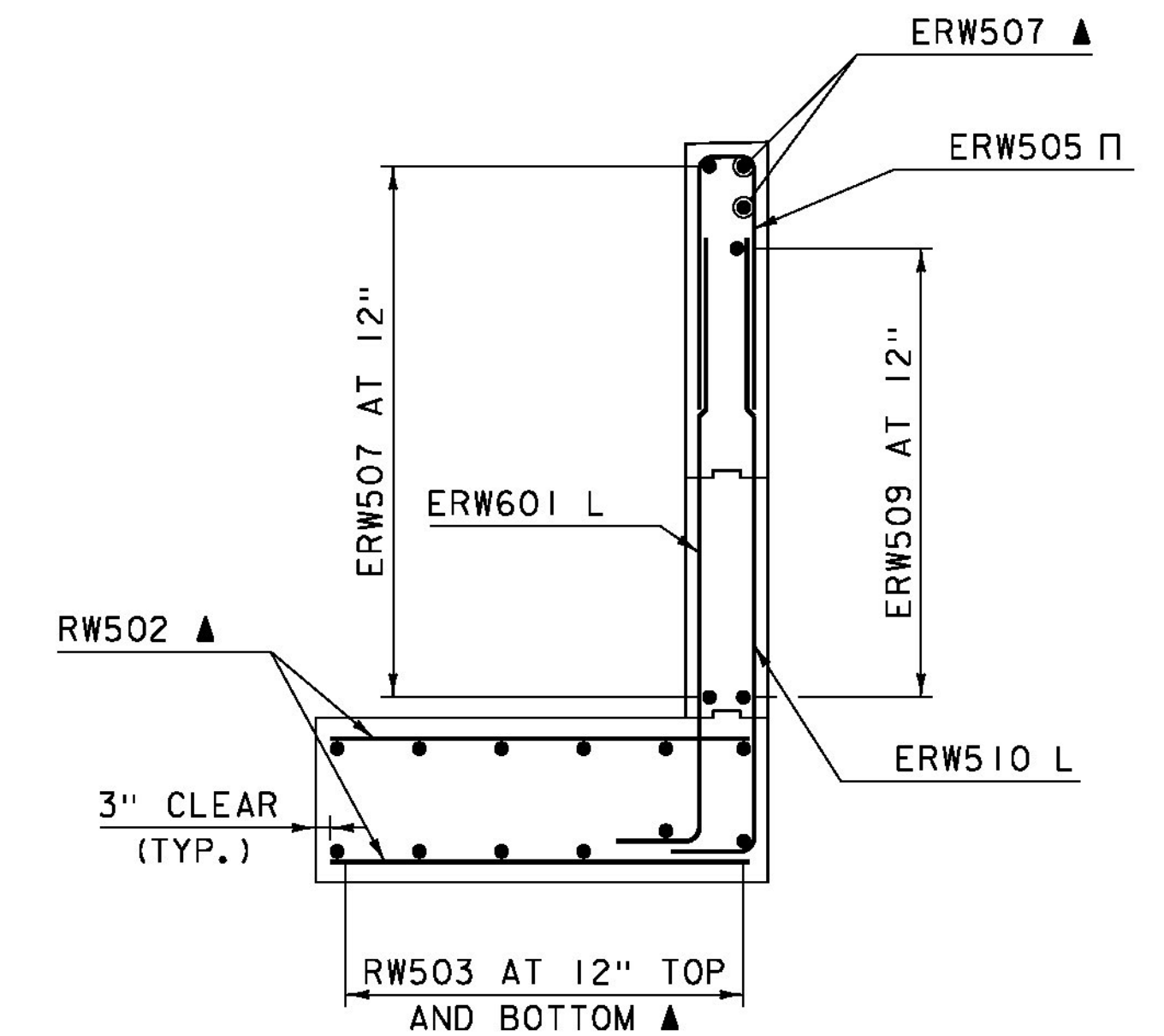
SECTION A-A

SCALE: 1/2" = 1'-0"



SECTION C-C

SCALE: 1" = 1'-0"



SECTION B-B

SCALE: 1/2" = 1'-0"

NOTES:

- NF = NEAR FACE
- FF = FAR FACE
- EF = EACH FACE
- 2" CLEAR, UNLESS OTHERWISE SPECIFIED ON THE THE PLANS.
- 2'-1" BAR LAP UNLESS OTHERWISE SPECIFIED ON THE PLANS

THE BAR SPACINGS SHOWN ARE A MAXIMUM AND MAY BE REDUCED TO FIT THE DESIGNATED NUMBER OF BARS AND REQUIRED CLEAR COVER.

NOTE:

REBAR LAYOUT IS APPROXIMATE BASED ON SURVEY, BAR LENGTHS AND QUANTITIES MAY CHANGE BASED ON ACTUAL GEOMETRY OF EXISTING RETAINING WALL AND ABUTMENT.

PROJECT NAME: BURKE  
PROJECT NUMBER: BRF 0269(13)

FILE NAME: I0c412/cos/z10c412sub.dgn PLOT DATE: 10/14/2014  
PROJECT LEADER: J. BYATT DRAWN BY: M. SMITH  
DESIGNED BY: S. BEAUMONT CHECKED BY: J. BYATT  
RETAINING WALL REINFORCING DETAILS SHEET 48 OF 73

