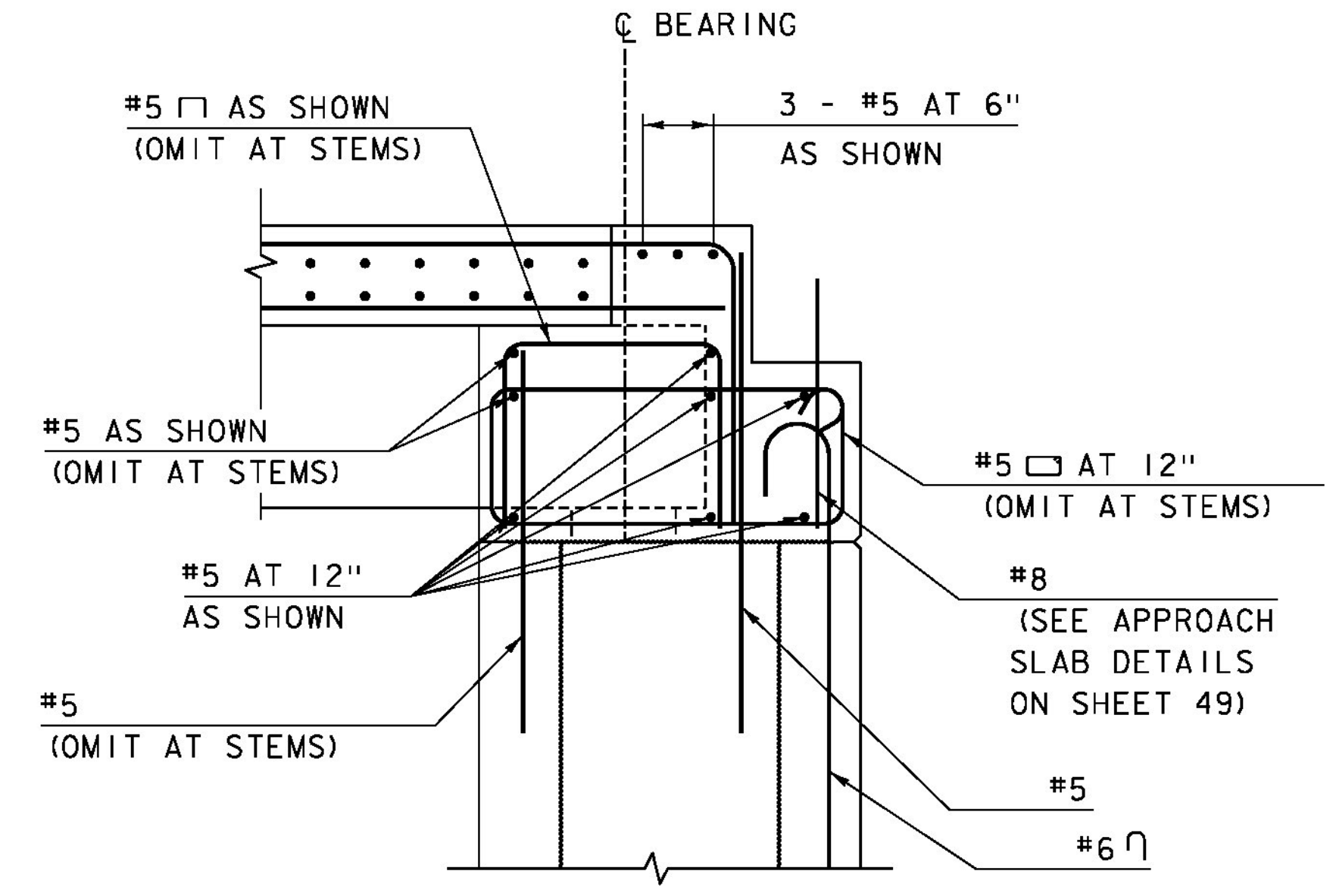
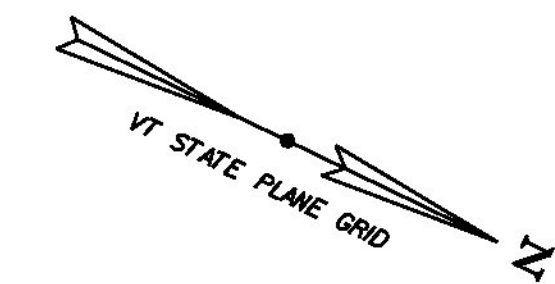
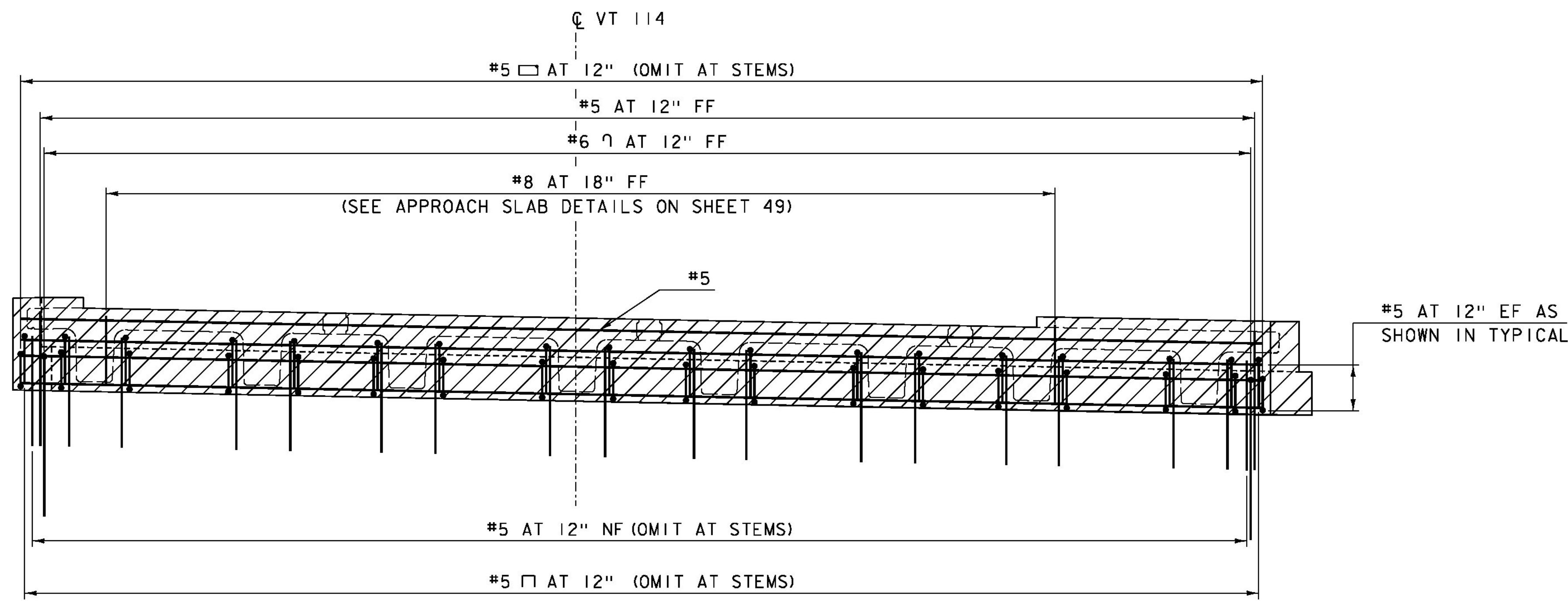


BEAM-END CLOSURE POUR  
REINFORCING PLAN  
SCALE: 3/8" = 1'-0"



REINFORCING TYPICAL  
SCALE: 3/4" = 1'-0"



BEAM-END CLOSURE POUR  
REINFORCING ELEVATION  
SCALE: 3/8" = 1'-0"

NOTES:  
NF = NEAR FACE  
FF = FAR FACE  
EF = EACH FACE  
2" CLEAR, UNLESS OTHERWISE SPECIFIED ON THE THE PLANS.  
2'-6" BAR LAP UNLESS OTHERWISE SPECIFIED ON THE PLANS

NOTE: REINFORCEMENT STEEL FOR ABUTMENT 1 SHOWN, ABUTMENT 2 SIMILAR

SPECIAL PROVISION (HIGH PERFORMANCE CONCRETE, RAPID SET) (FPQ) (TYP.)



PROJECT NAME:	BURKE	PLOT DATE:	10/14/2014
PROJECT NUMBER:	BRF 0269(13)	DRAWN BY:	M. SMITH
FILE NAME:	z10c412abuti.dgn	CHECKED BY:	J. BYATT
PROJECT LEADER:	J. BYATT	BEAM-END CLOSURE POUR REINFORCING	SHEET 46 OF 73
DESIGNED BY:	S. BEAUMONT		

C.L.D. 12-0121 MODEL Sheet03