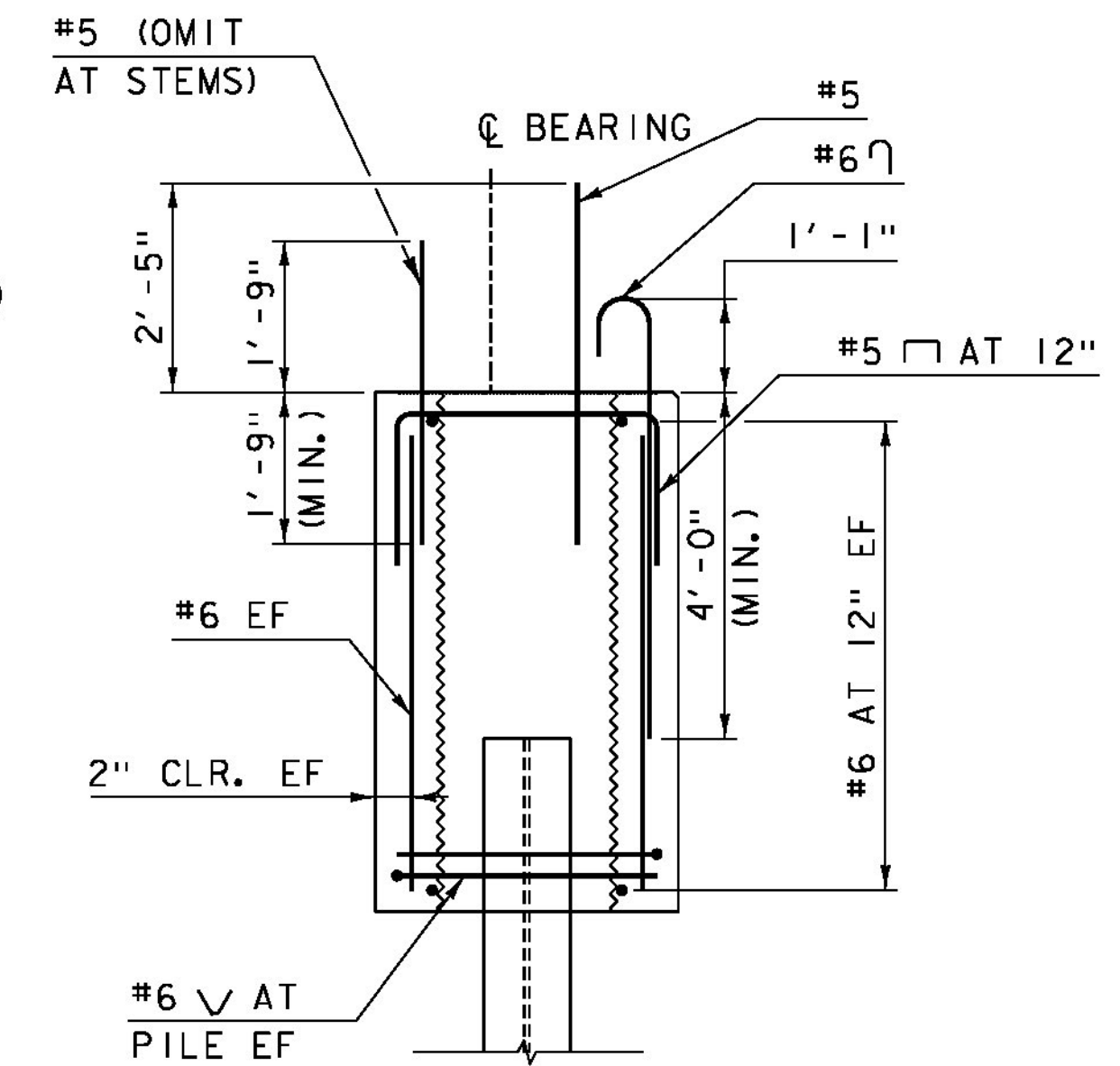
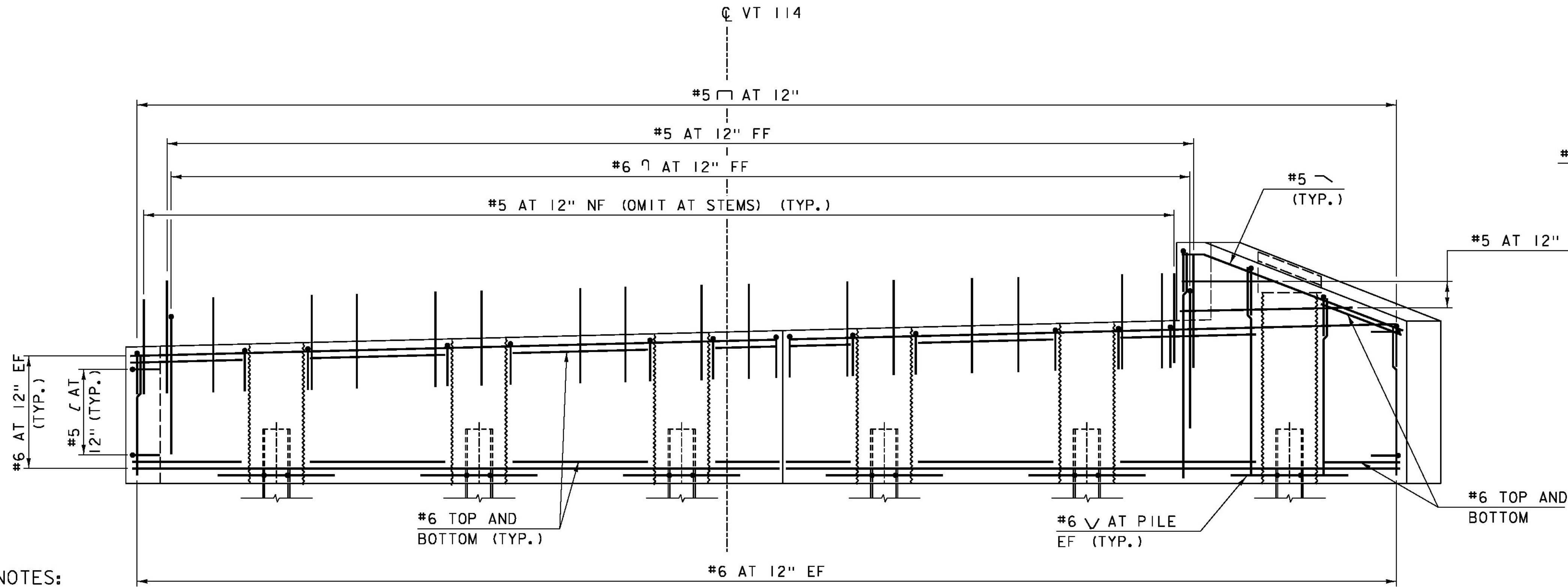


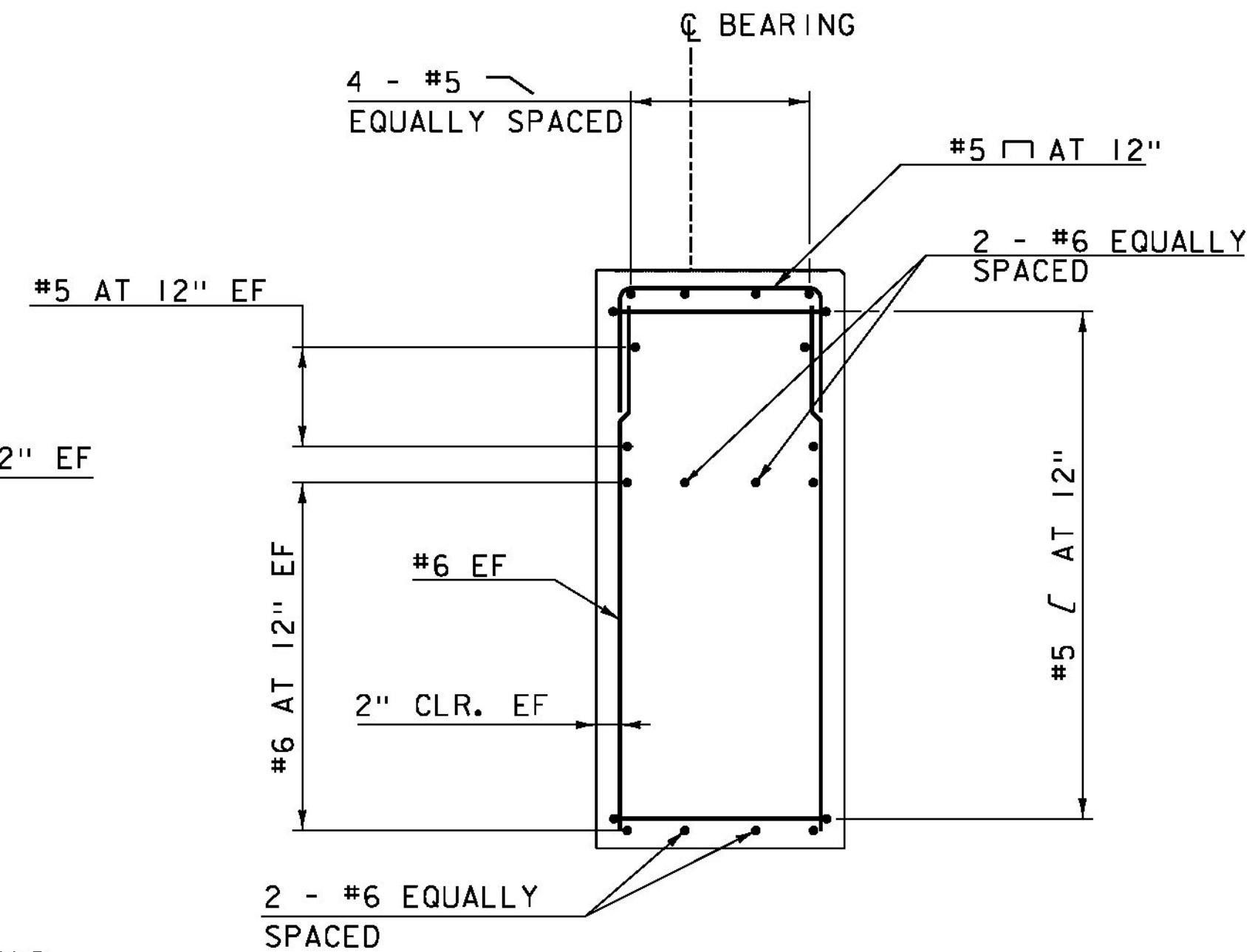
ABUTMENT 2 REINFORCING PLAN (PCU 2)
SCALE: 3/8" = 1'-0"



SECTION A-A
SCALE: 1/2" = 1'-0"



ABUTMENT 2 REINFORCING ELEVATION (PCU 2)
SCALE: 3/8" = 1'-0"



SECTION B-B
SCALE: 1/2" = 1'-0"

NOTES:
NF = NEAR FACE
FF = FAR FACE
EF = EACH FACE
3" CLEAR, UNLESS OTHERWISE SPECIFIED ON THE PLANS.
2'-6" BAR LAP UNLESS OTHERWISE SPECIFIED ON THE PLANS

PROJECT NAME: BURKE	PLOT DATE: 10/14/2014
PROJECT NUMBER: BRF 0269(13)	DRAWN BY: M. SMITH
FILE NAME: z10c412abut2.dgn	CHECKED BY: J. BYATT
PROJECT LEADER: J. BYATT	SHEET 45 OF 73
DESIGNED BY: S. BEAUMONT	
ABUTMENT 2 REINFORCING	



C.L.D. 12-0121 MODEL - Sheet 02