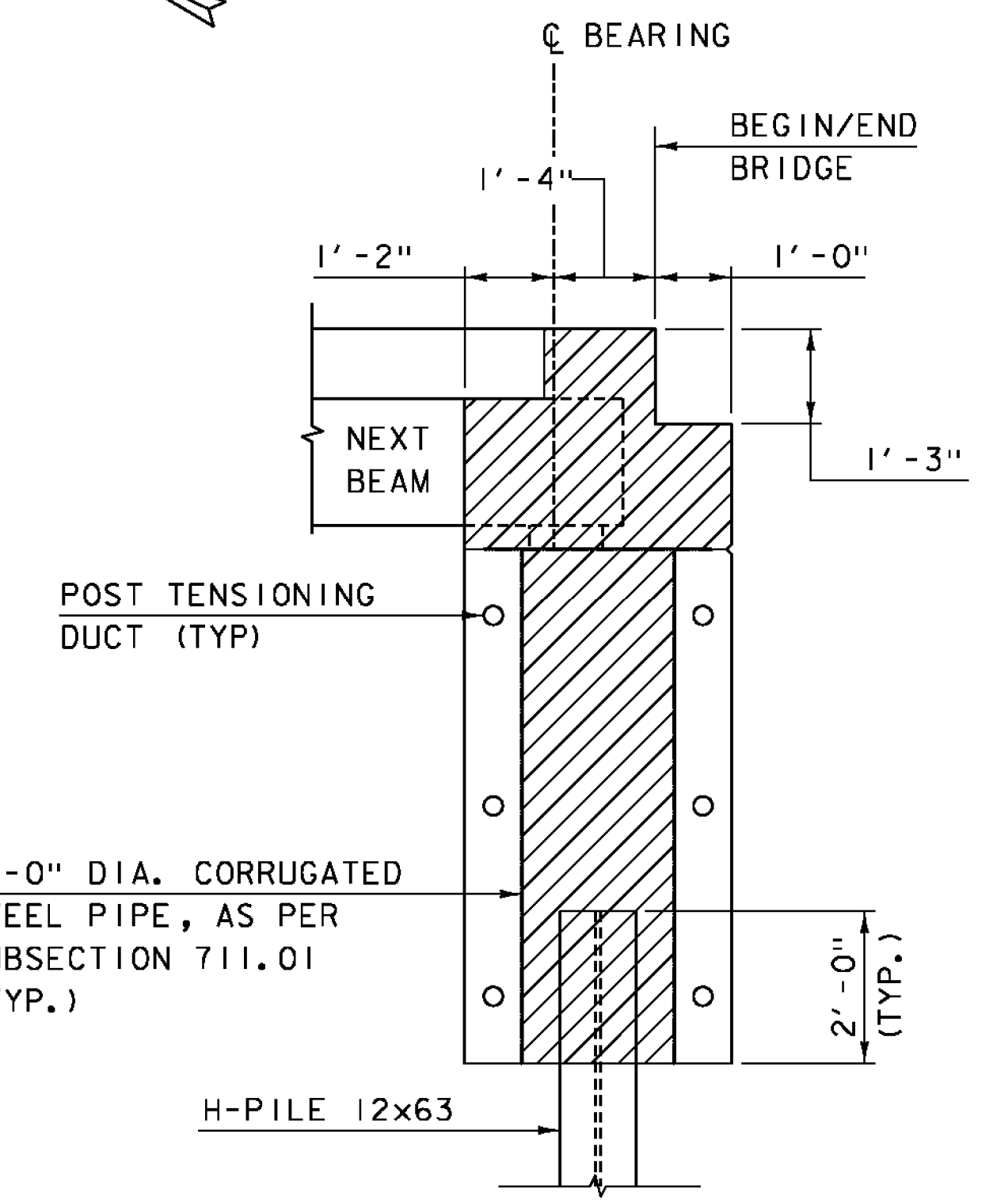
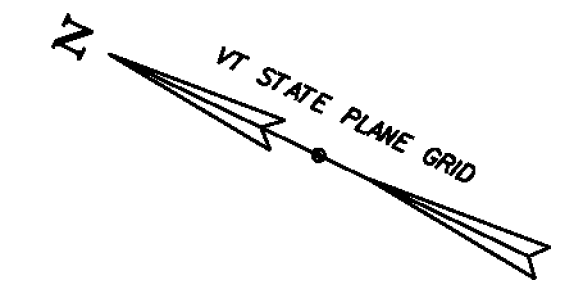
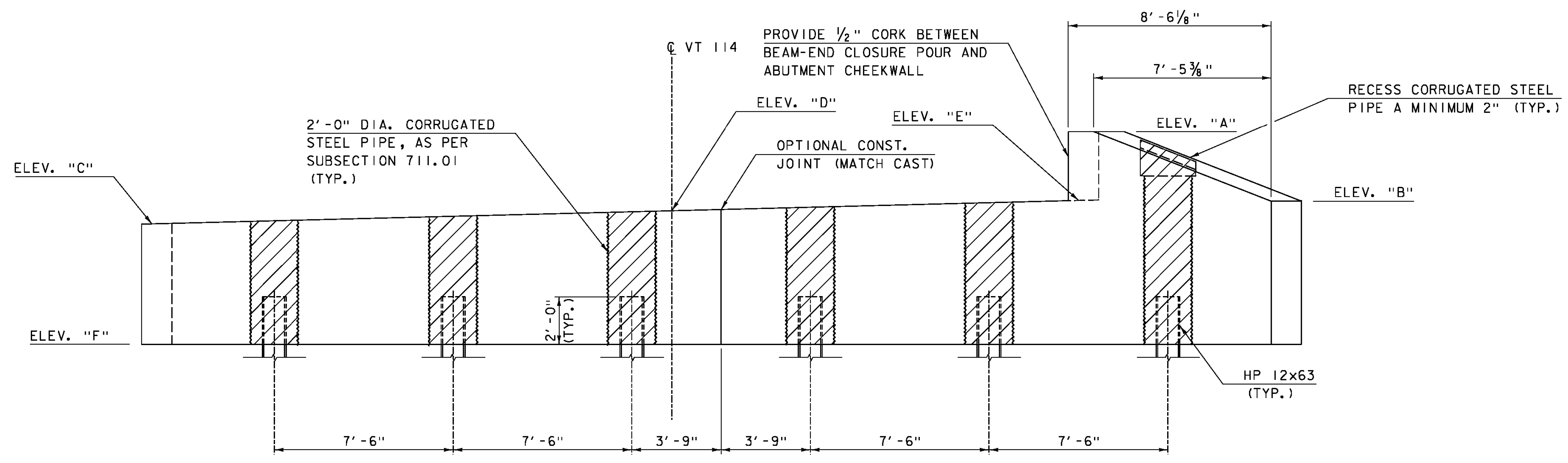


ABUTMENT 2 PLAN (PCU 2)
SCALE: 3/8" = 1'-0"

| PILE# | LENGTH | TIP ELEV. |
|-------|--------|-----------|
| P1 | 50.21' | 773.79' |
| P2 | 52.34' | 771.66' |
| P3 | 55.01' | 768.99' |
| P4 | 55.09' | 768.91' |
| P5 | 52.44' | 769.56' |
| P6 | 50.74' | 771.26' |



ABUTMENT TYPICAL
SCALE: 1/2" = 1'-0"



ABUTMENT 2 ELEVATION (PCU 2)
SCALE: 3/8" = 1'-0"

PCU ELEVATIONS

| | AB2 |
|----------|--------|
| ELEV "A" | 830.91 |
| ELEV "B" | 828.00 |
| ELEV "C" | 827.05 |
| ELEV "D" | 827.60 |
| ELEV "E" | 828.03 |
| ELEV "F" | 822.00 |

NOTE: ELEVATIONS ARE AT CENTERLINE BEARING

SPECIAL PROVISION (HIGH PERFORMANCE CONCRETE, RAPID SET) (FPQ) (TYP.)



PROJECT NAME: BURKE
PROJECT NUMBER: BRF 0269(13)
FILE NAME: z10c412abut2.dgn
PROJECT LEADER: J. BYATT
DESIGNED BY: S. BEAUMONT
ABUTMENT 2 PLAN
PLOT DATE: 10/14/2014
DRAWN BY: M. SMITH
CHECKED BY: J. BYATT
SHEET 44 OF 73

C.D. P-012 MODEL - Sheet 01