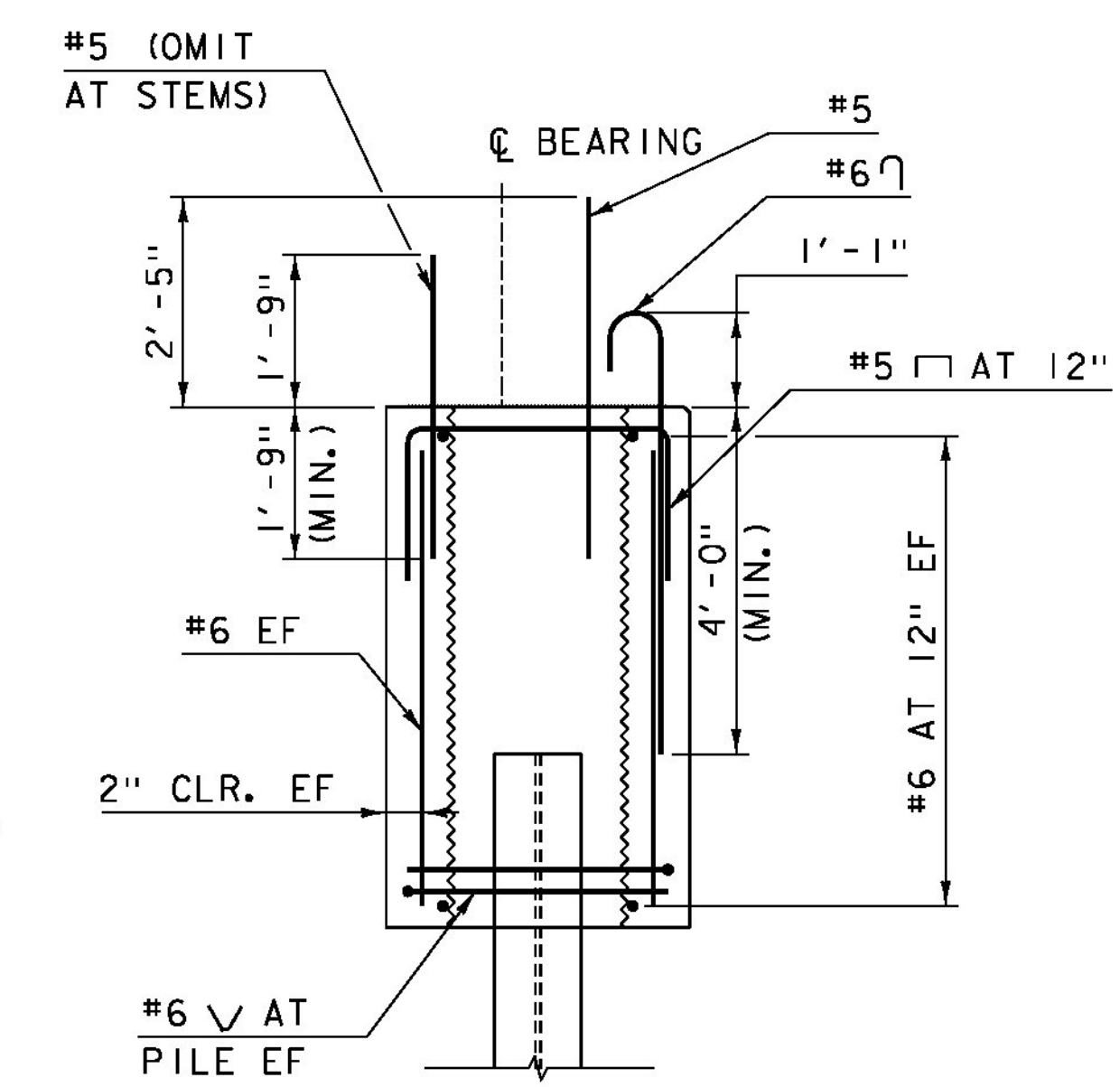
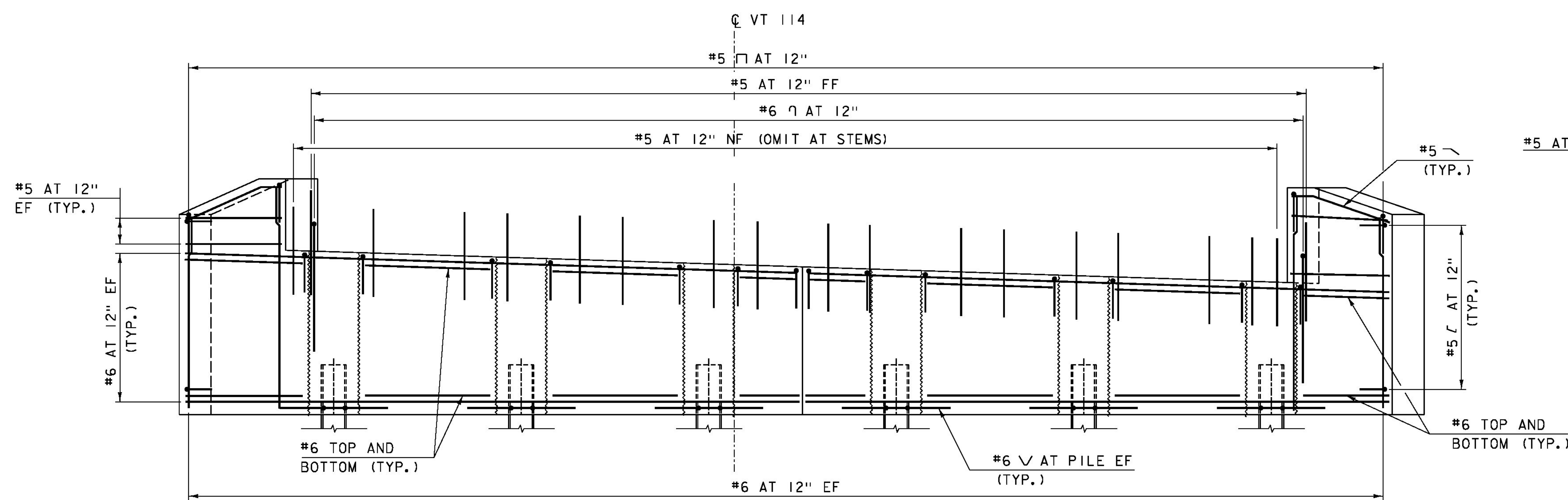


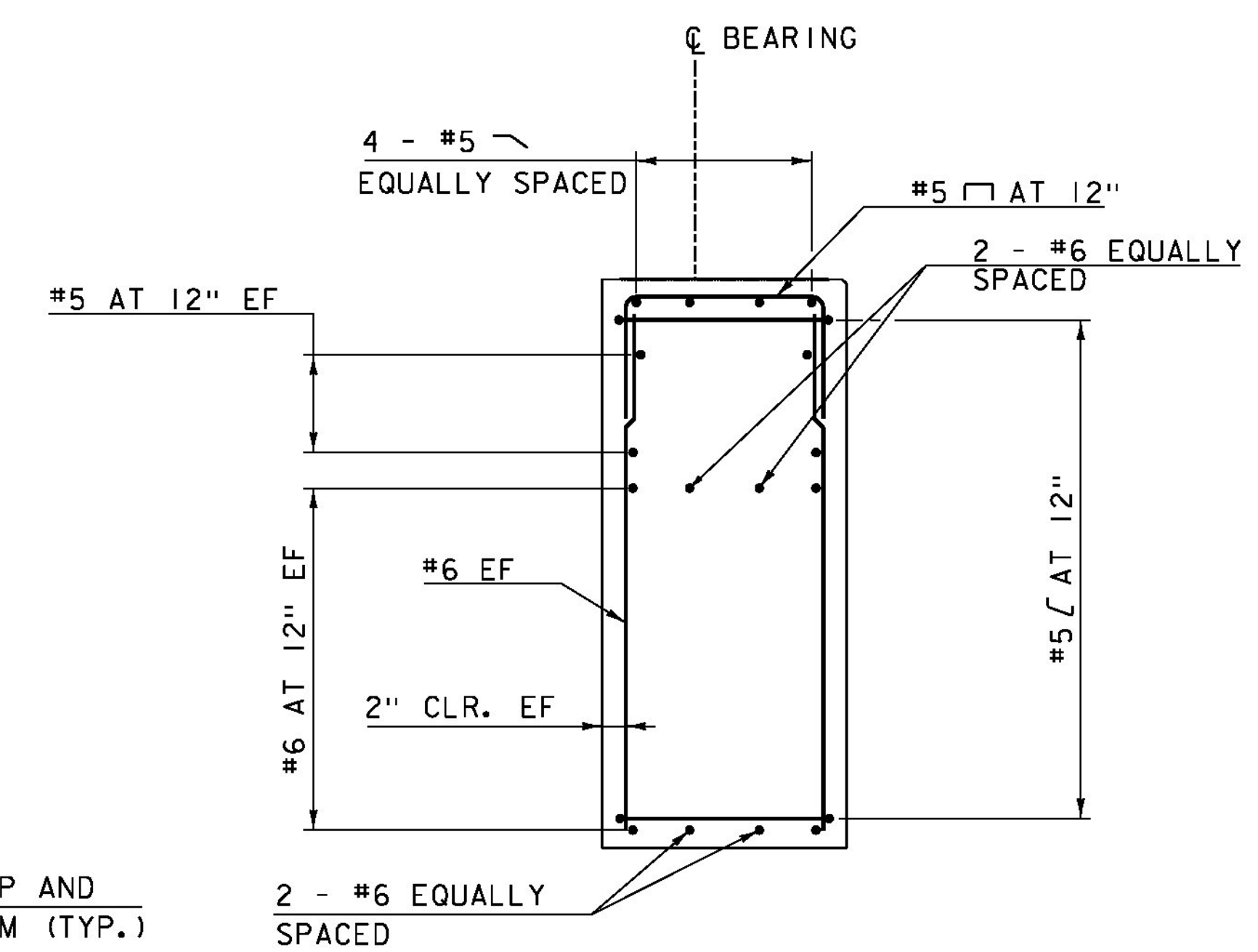
ABUTMENT I REINFORCING PLAN (PCU I)  
SCALE: 3/8" = 1'-0"



SECTION A-A  
SCALE: 1/2" = 1'-0"



ABUTMENT I REINFORCING ELEVATION (PCU I)  
SCALE: 3/8" = 1'-0"



SECTION B-B  
SCALE: 1/2" = 1'-0"

**NOTES:**  
 NF = NEAR FACE  
 FF = FAR FACE  
 EF = EACH FACE  
 3" CLEAR, UNLESS OTHERWISE SPECIFIED ON THE THE PLANS.  
 2'-6" BAR LAP UNLESS OTHERWISE SPECIFIED ON THE PLANS

PROJECT NAME:	BURKE	PLOT DATE:	10/14/2014
PROJECT NUMBER:	BRF 0269(13)	DRAWN BY:	M. SMITH
FILE NAME:	z10c412abuti.dgn	DESIGNED BY:	S. BEAUMONT
PROJECT LEADER:	J. BYATT	CHECKED BY:	J. BYATT
ABUTMENT I REINFORCING		SHEET	43 OF 73



CLD 12-0121 MODEL - Sheet02