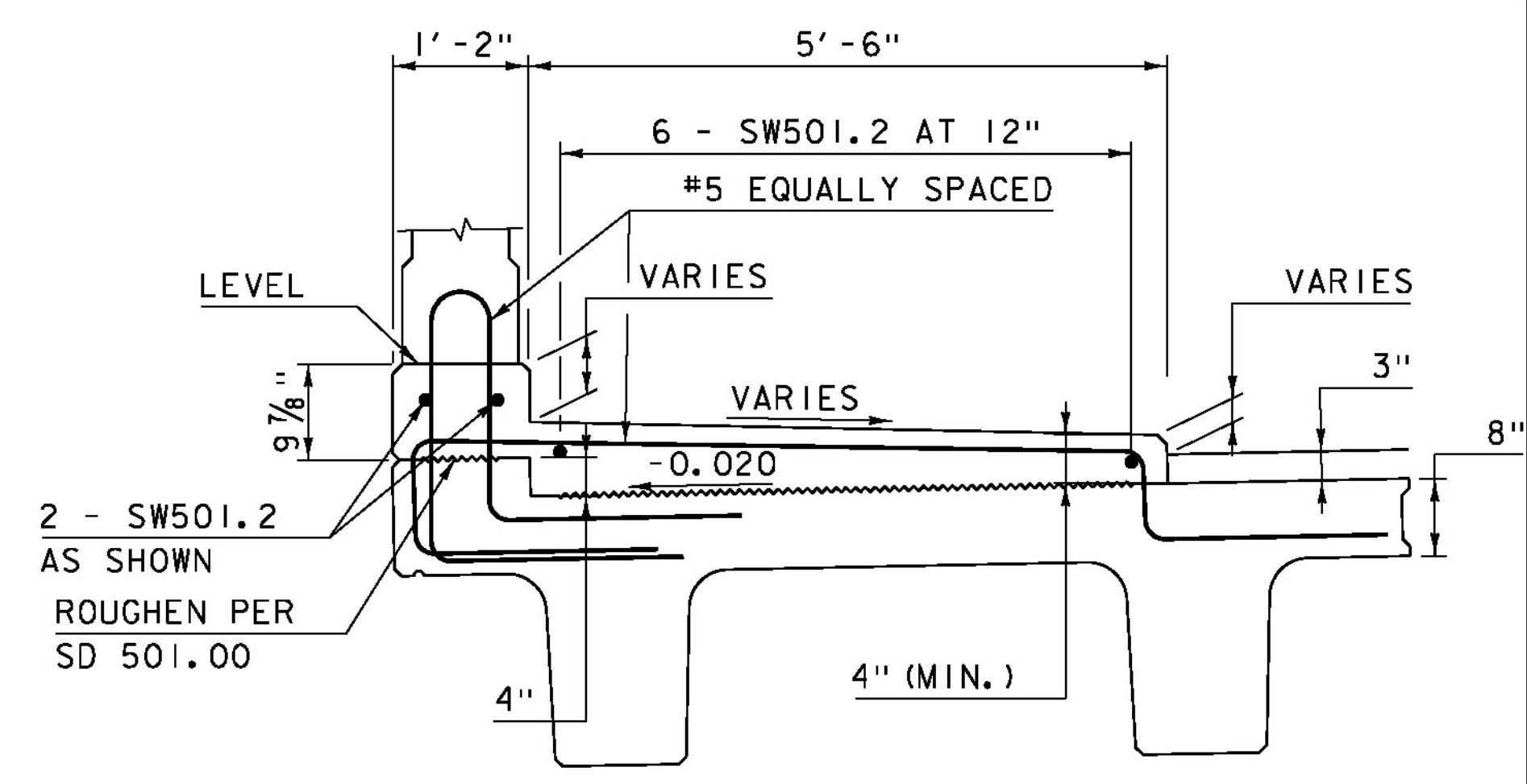
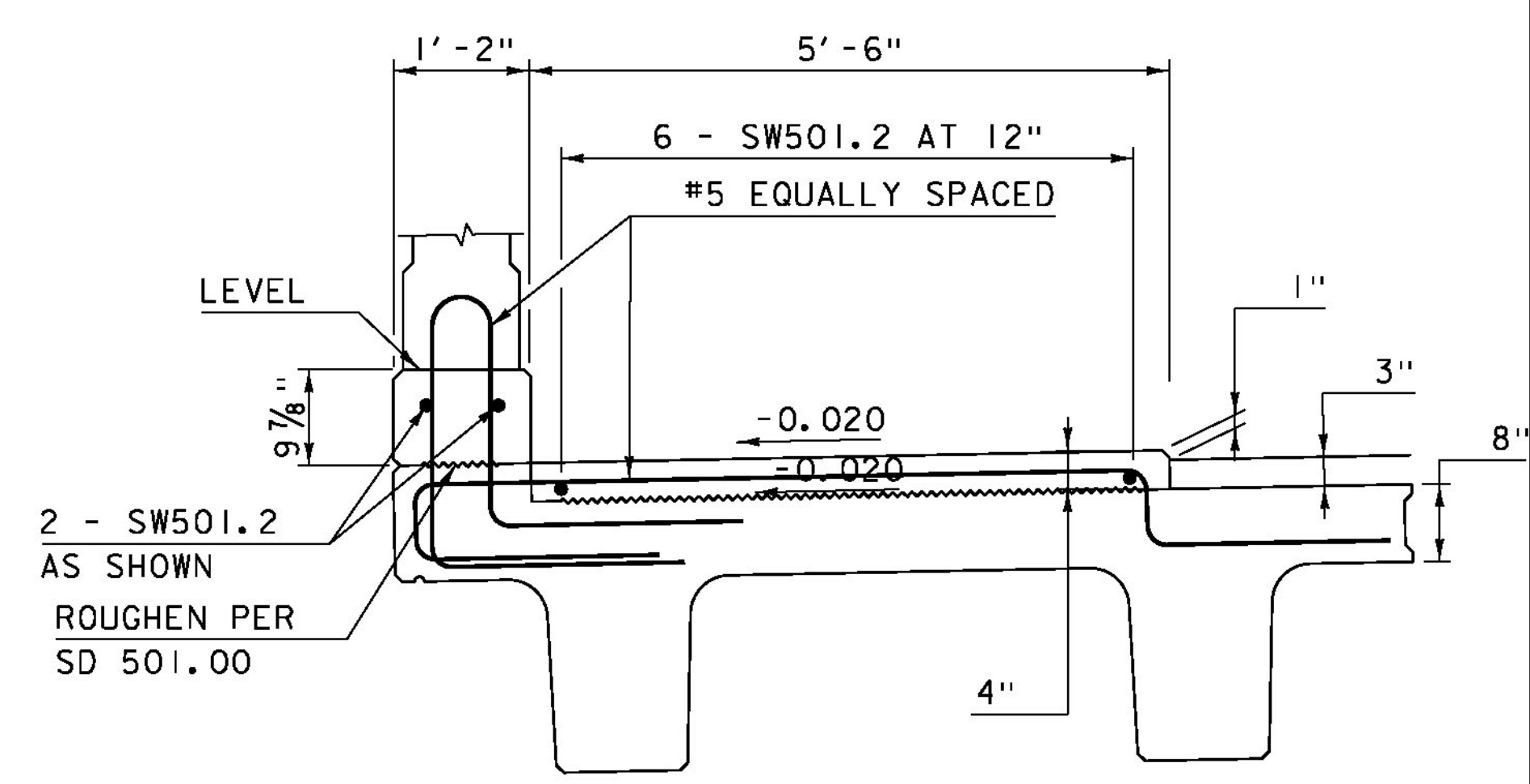


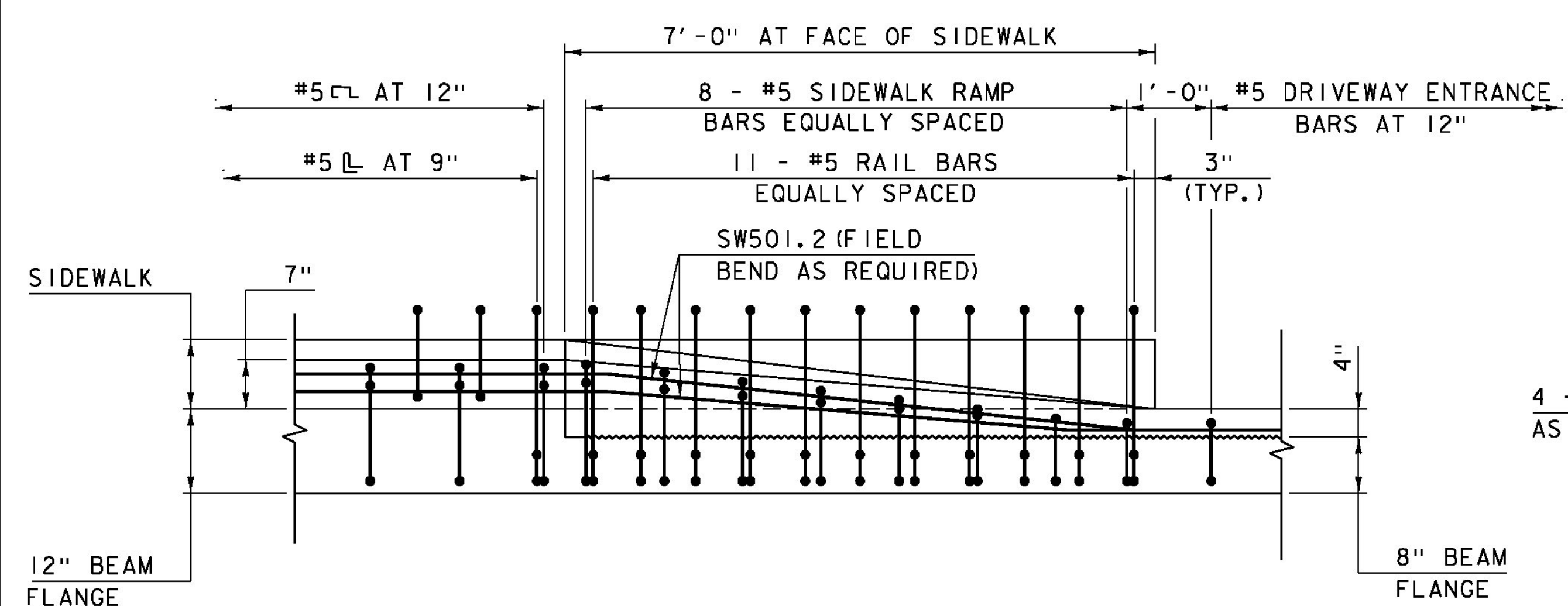
SIDEWALK RAMP PLAN  
SCALE: 3/4" = 1'-0"



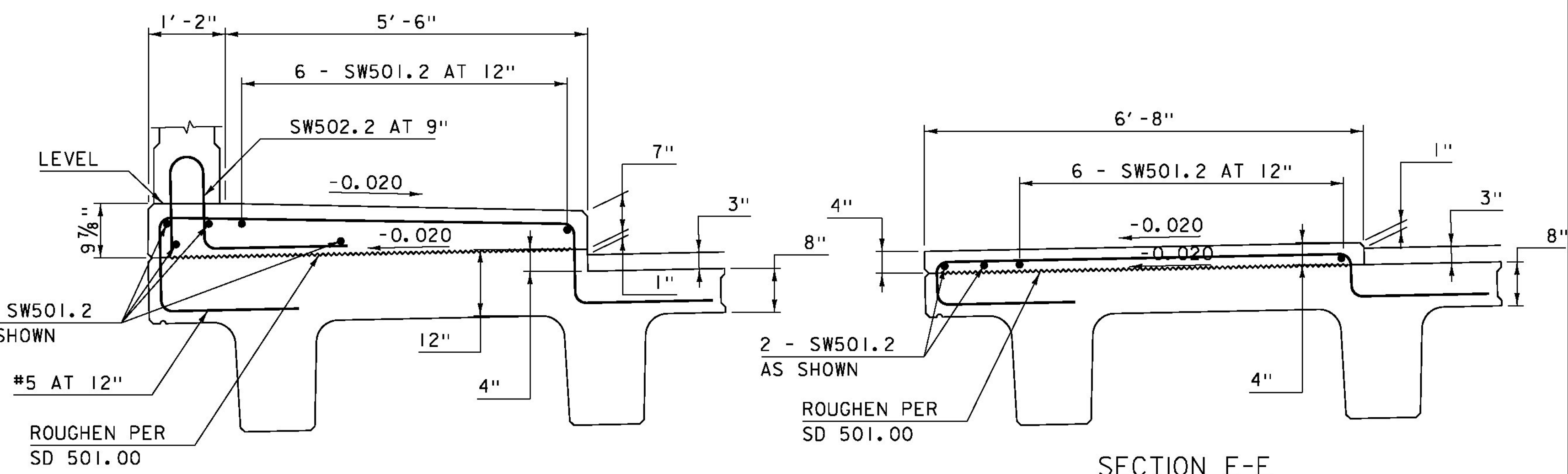
SECTION C-C  
SCALE: 3/4" = 1'-0"



SECTION D-D  
SCALE: 3/4" = 1'-0"



SECTION A-A  
SCALE: 3/4" = 1'-0"



SECTION B-B  
SCALE: 3/4" = 1'-0"

SECTION E-E  
SCALE: 3/4" = 1'-0"

NOTE:  
1. SEE SHEETS 36 AND 37 FOR SIDEWALK RAMP, RAIL, AND DRIVEWAY ENTRANCE BAR DETAILS.



PROJECT NAME: BURKE	PLOT DATE: 10/14/2014
PROJECT NUMBER: BRF 0269(13)	DRAWN BY: M. SMITH
FILE NAME: z10c412sup.dgn	CHECKED BY: J. BYATT
PROJECT LEADER: J. BYATT	SHEET 39 OF 73
DESIGNED BY: S. BEAUMONT	
NEXT BEAM DETAILS (4 OF 5)	

MODEL: Sup05  
CLD 12-0121