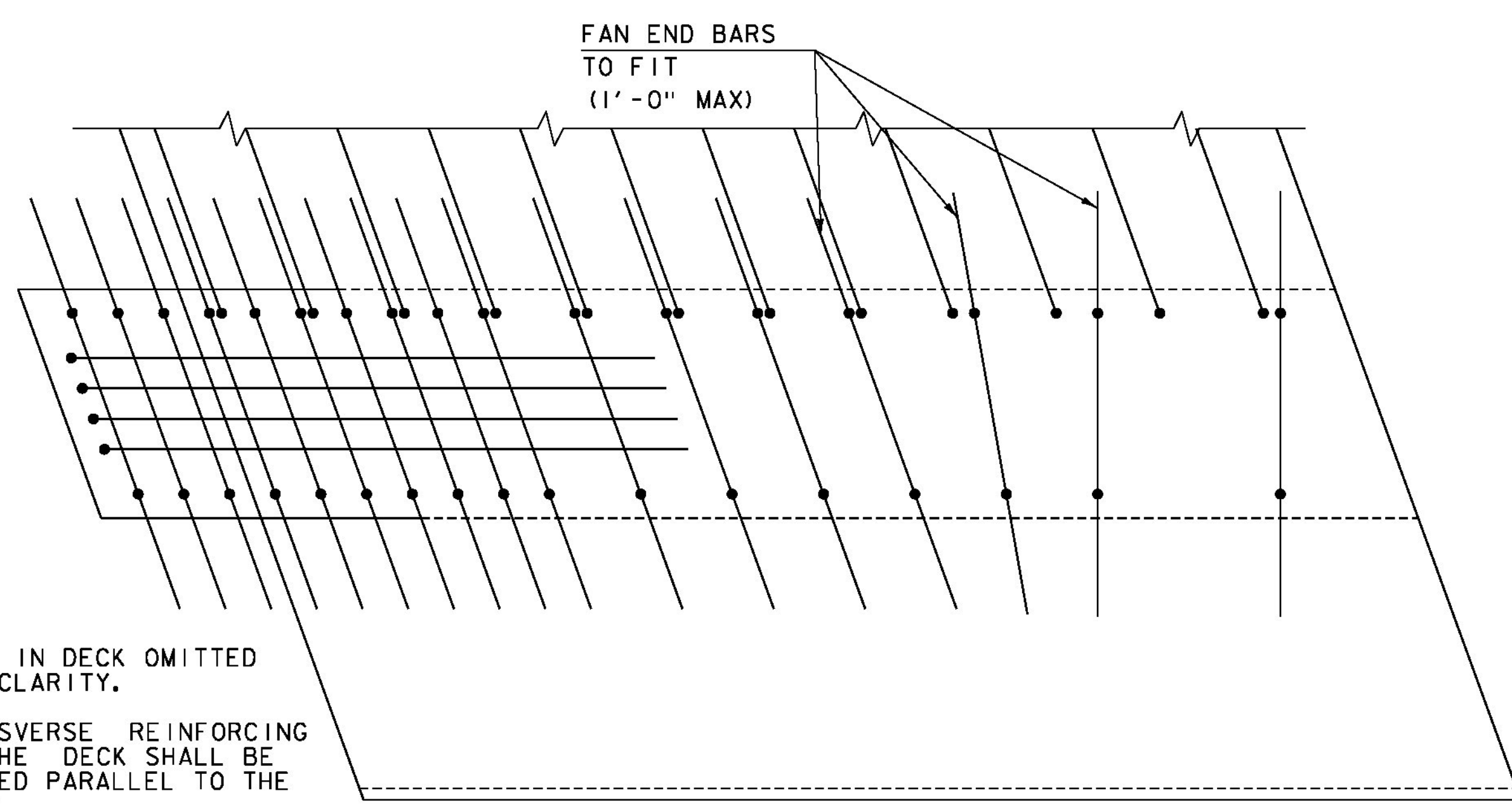
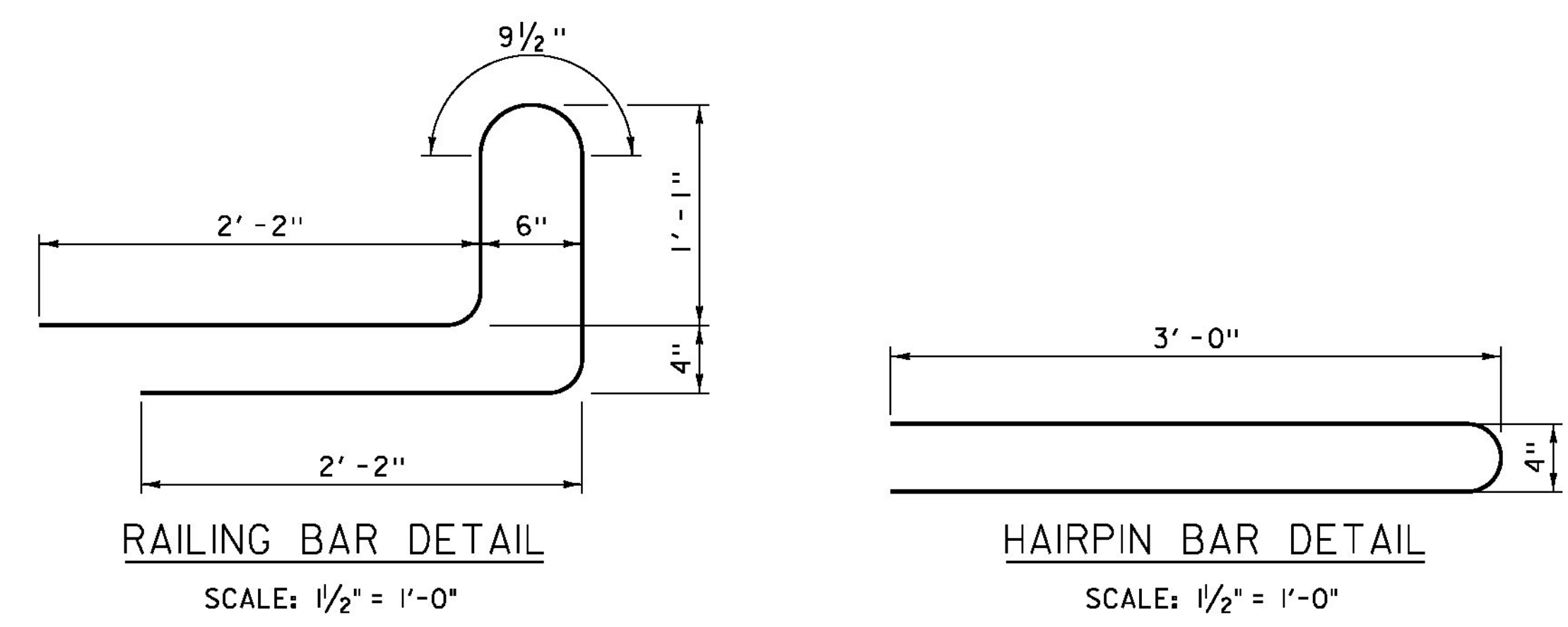
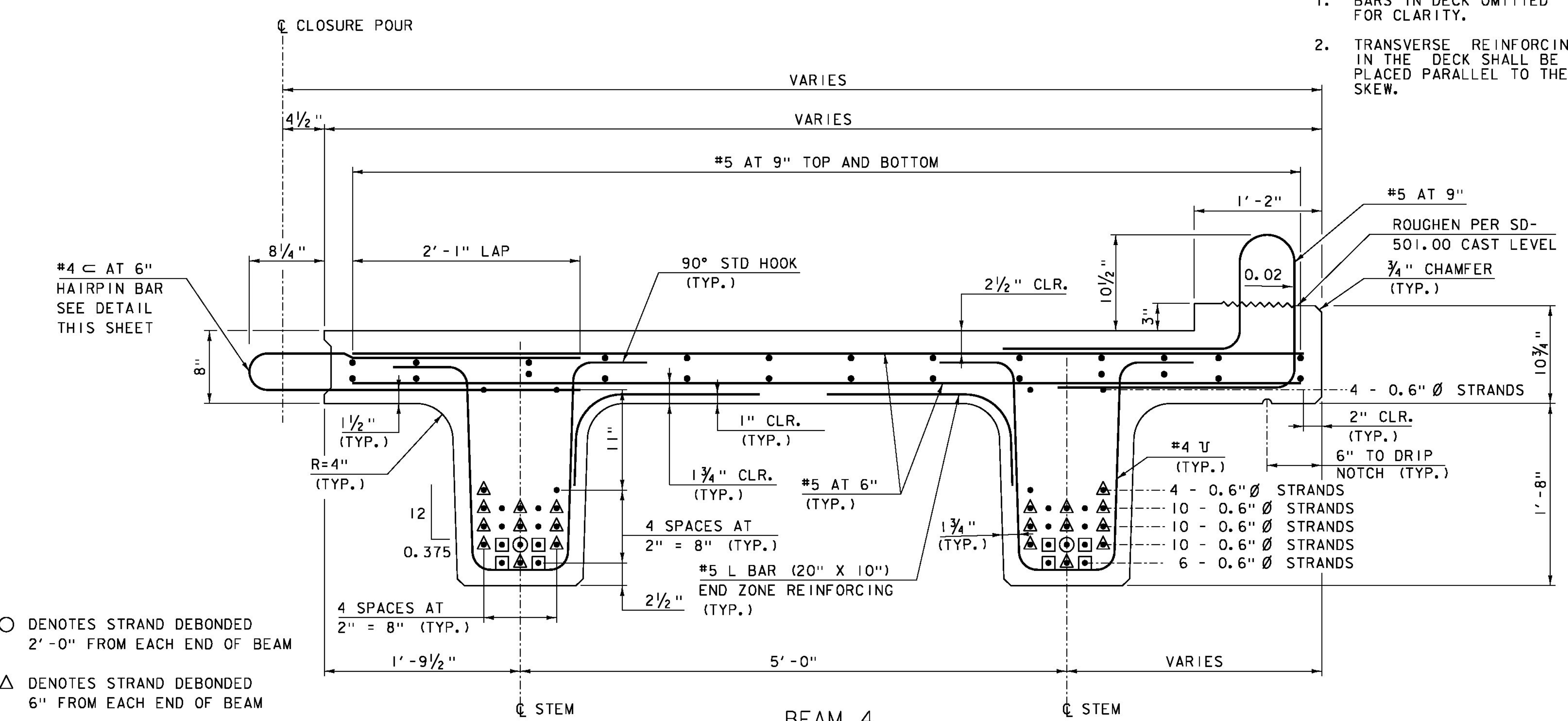


**BEAMS 2 AND 3**  
SCALE: 1/2" = 1'-0"

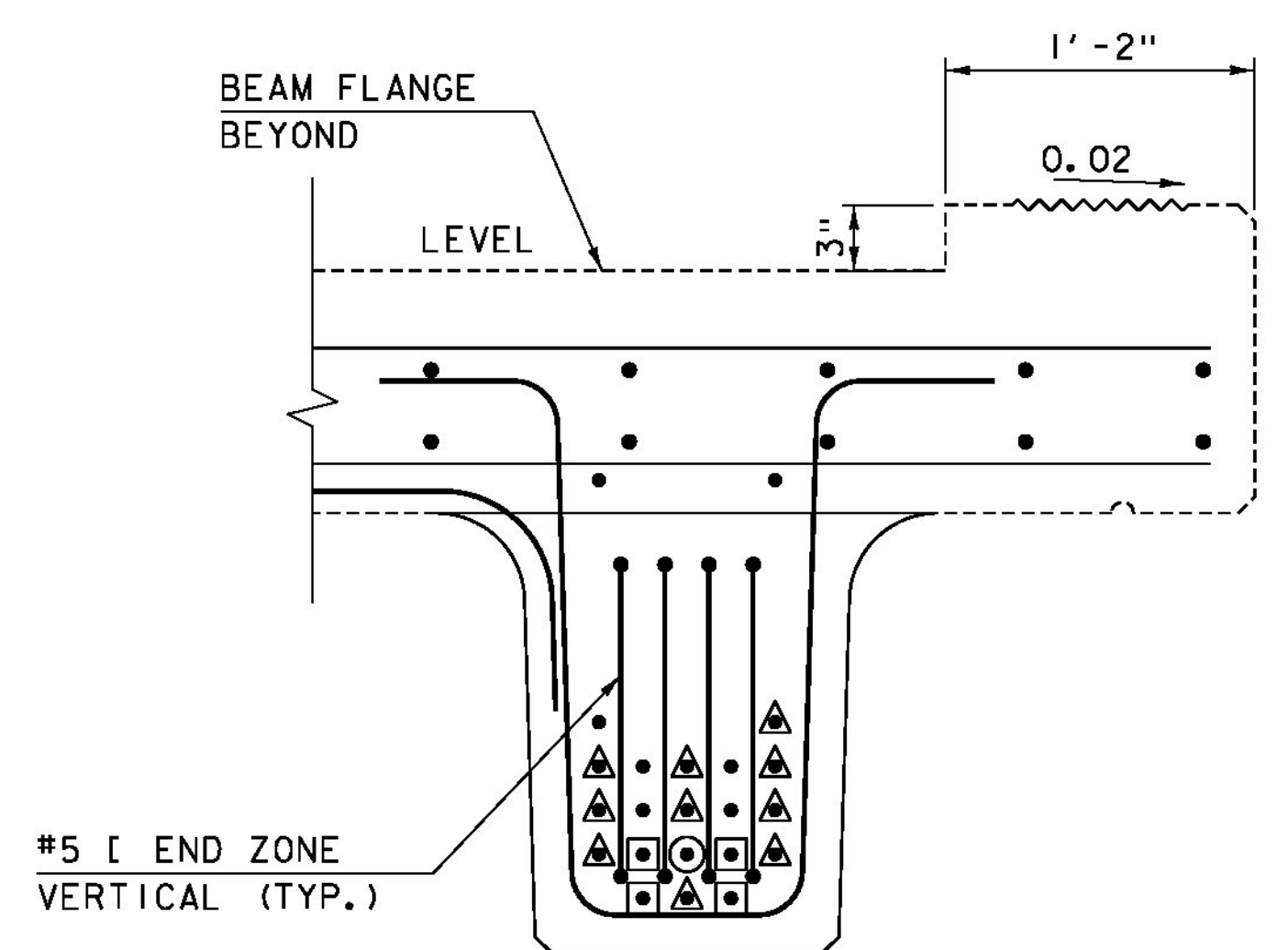


**SKewed END DETAIL**  
SCALE: 1/2" = 1'-0"

- NOTE:**
1. BARS IN DECK OMITTED FOR CLARITY.
  2. TRANSVERSE REINFORCING IN THE DECK SHALL BE PLACED PARALLEL TO THE SKEW.



**BEAM 4**  
SCALE: 1/2" = 1'-0"



**END SECTION DETAIL**  
SCALE: 1/2" = 1'-0"

- DENOTES STRAND DEBONDED 2'-0" FROM EACH END OF BEAM
- △ DENOTES STRAND DEBONDED 6" FROM EACH END OF BEAM
- DENOTES FULLY BONDED STRAND EXTENDED 2'-0" FROM BEAM END

PROJECT NAME:	BURKE	FILE NAME:	z10c412sup.dgn	PLOT DATE:	10/14/2014
PROJECT NUMBER:	BRF 0269(13)	PROJECT LEADER:	J. BYATT	DRAWN BY:	M. SMITH
		DESIGNED BY:	S. BEAUMONT	CHECKED BY:	J. BYATT
		NEXT BEAM DETAILS (3 OF 5)		SHEET	38 OF 73



MODEL: Sup04  
CLD 12-0121