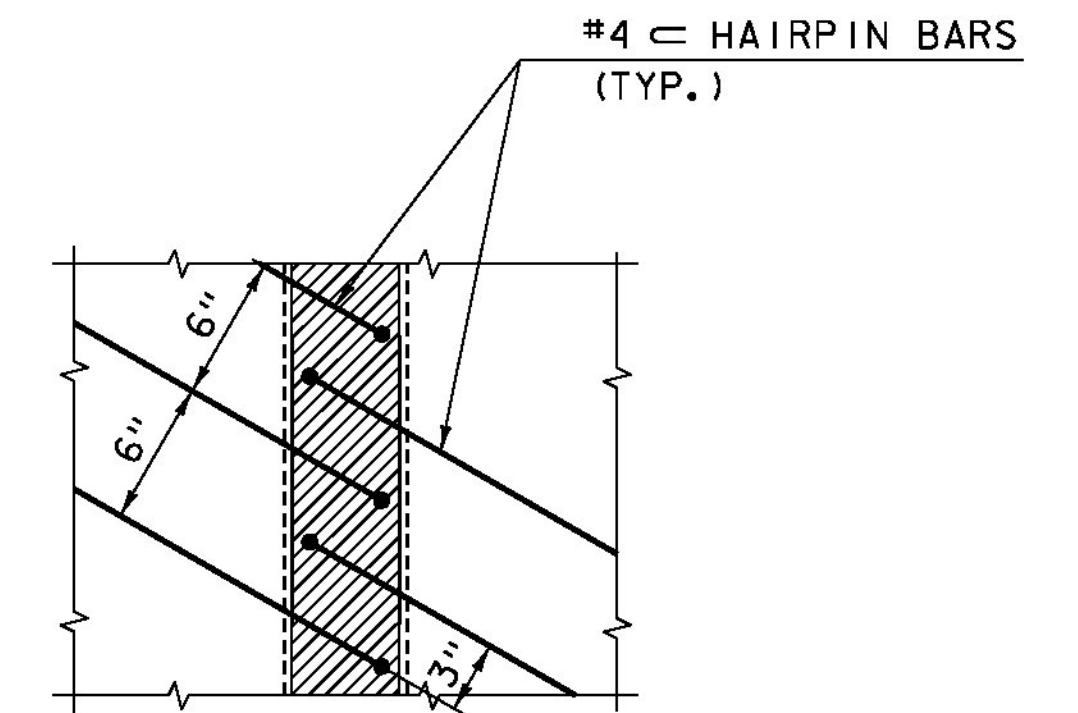
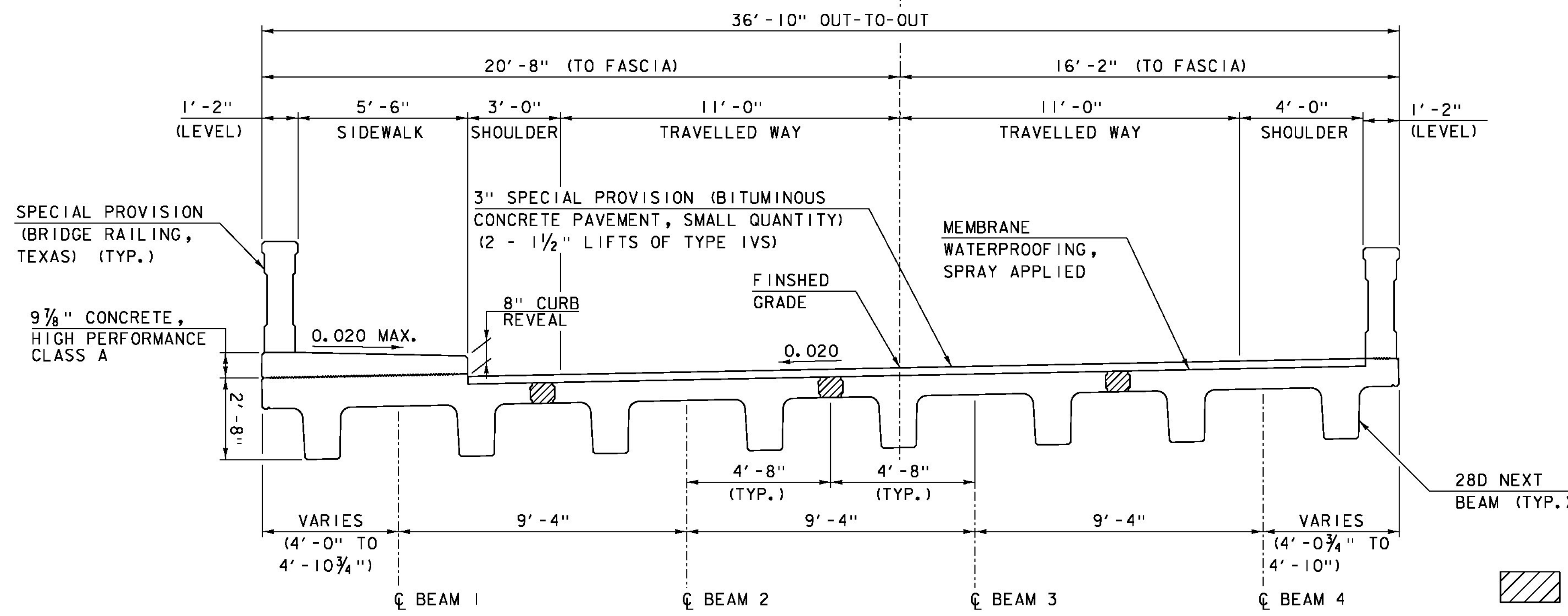


	"X" LT	"X" RT
BEGIN BEAM	4'-10 ¹ / ₄ "	4'-5 ¹ / ₈ "
☉ BRG. ABUT. 1	4'-9 ³ / ₄ "	4'-5 ³ / ₈ "
0.1 L	4'-6 ⁷ / ₈ "	4'-7 ³ / ₈ "
0.2 L	4'-4 ³ / ₈ "	4'-8 ³ / ₄ "
0.3 L	4'-2 ¹ / ₂ "	4'-9 ⁵ / ₈ "
0.4 L	4'-1 ¹ / ₈ "	4'-10"
0.5 L	4'-0 ³ / ₈ "	4'-9 ³ / ₄ "
0.6 L	4'-0"	4'-9 ¹ / ₈ "
0.7 L	4'-0 ¹ / ₄ "	4'-8"
0.8 L	4'-1"	4'-6 ³ / ₈ "
0.9 L	4'-2 ³ / ₈ "	4'-4 ¹ / ₈ "
☉ BRG. ABUT. 2	4'-4 ¹ / ₄ "	4'-1 ¹ / ₂ "
END BEAM	4'-4 ¹ / ₂ "	4'-1 ¹ / ₈ "

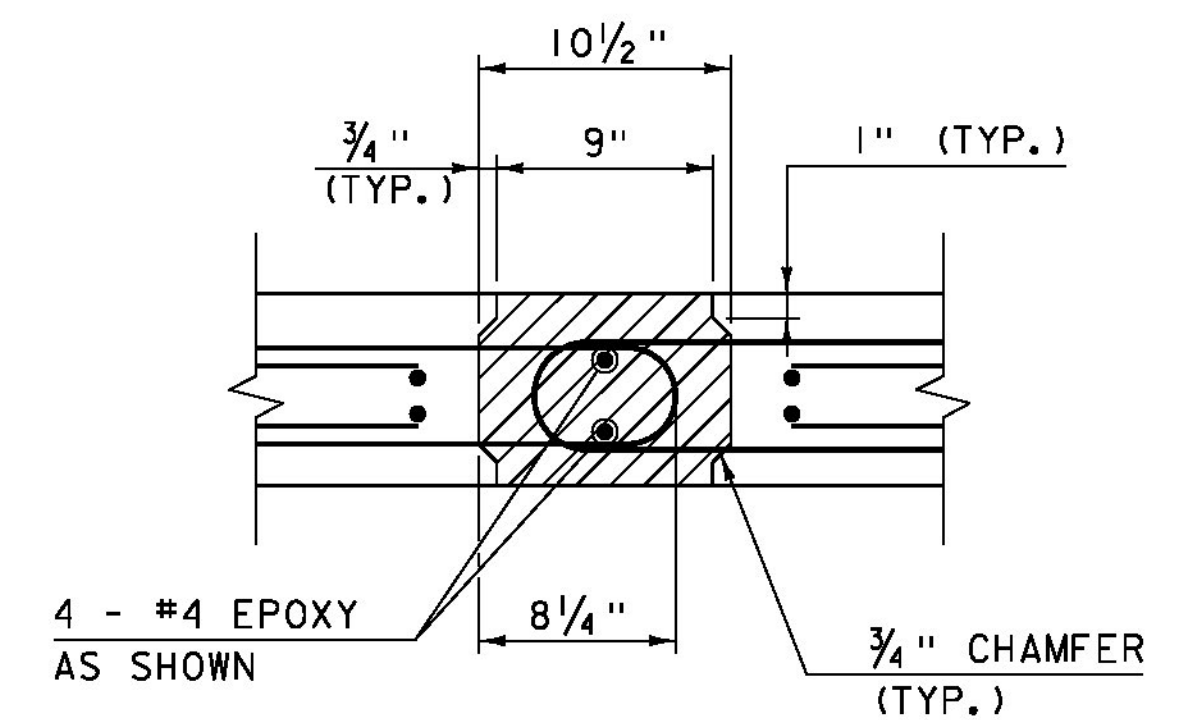
L = SPAN ALONG ☉ BEAM 1 / BEAM 4 = 56'-0"



CONNECTION DETAIL PLAN
SCALE: 1/2" = 1'-0"



TYPICAL BRIDGE SECTION
SCALE: 3/8" = 1'-0"



CONNECTION DETAIL SECTION
SCALE: 1/2" = 1'-0"

PROJECT NAME: BURKE
 PROJECT NUMBER: BRF 0269(13)
 FILE NAME: z10c412sup.dgn
 PROJECT LEADER: J. BYATT
 DESIGNED BY: S. BEAUMONT
 BRIDGE PLAN AND TYPICAL SECTIONS
 PLOT DATE: 10/14/2014
 DRAWN BY: M. SMITH
 CHECKED BY: J. BYATT
 SHEET 35 OF 73

CLD 12-0121 MODEL: SUD01

