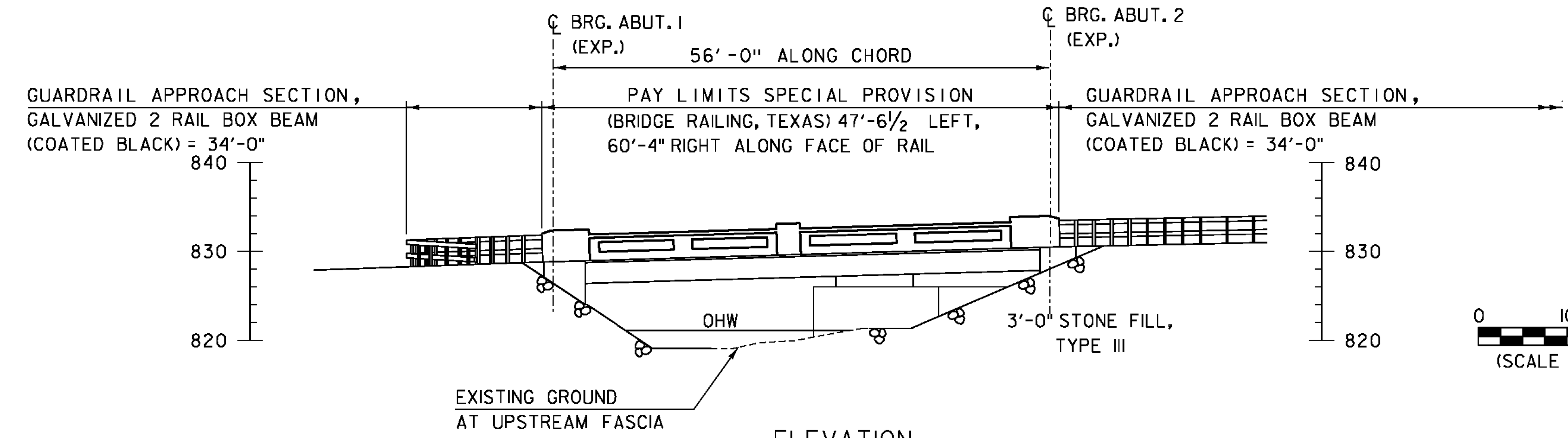
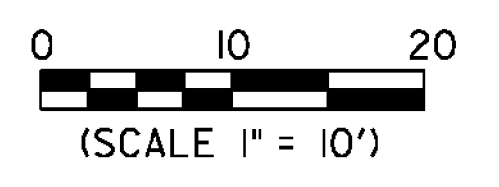


PLAN VIEW  
SCALE: 1" = 10'-0"



ELEVATION  
SCALE: 1" = 10'-0"



PROJECT NAME: BURKE	PLOT DATE: 10/14/2014
PROJECT NUMBER: BRF 0269(13)	DRAWN BY: M. SMITH
FILE NAME: I0c412/cos/z10c412pe.dgn	CHECKED BY: J. BYATT
PROJECT LEADER: J. BYATT	PLAN AND ELEVATION
DESIGNED BY: S. BEAUMONT	SHEET 34 OF 73

C.L.D. 12-0121 MODEL: PEO