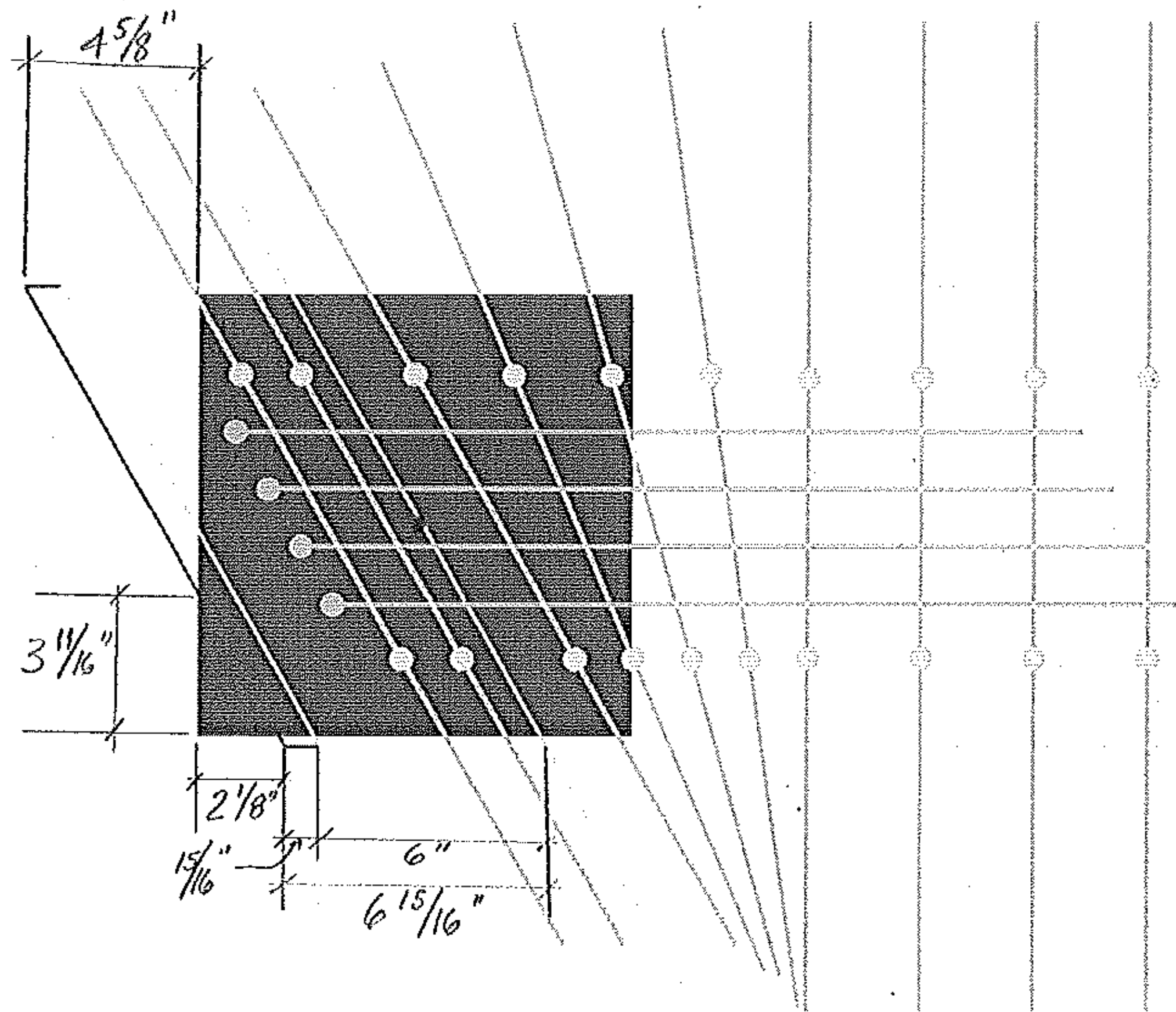


EXTEND STEM $15/16$ " EA. END.

BEARING STILL STICKS OUT @ OBLIQUE CORNER BY $2/8$ "

END OF DECK →



END OF DECK →

NEW - END DETAIL

CHECK AREA UNDER BEAM - SEE IF THAT SUPPORTS LOADS

$$(11.5 \text{ in})^2 - \frac{1}{2} (3 \frac{1}{16} \text{ in}) (2 \frac{1}{8} \text{ in}) =$$

$$132 \text{ in}^2 - 3.92 \text{ in}^2$$

$$= 128.08 \text{ in}^2 \approx 97\% \text{ OF AREA}$$