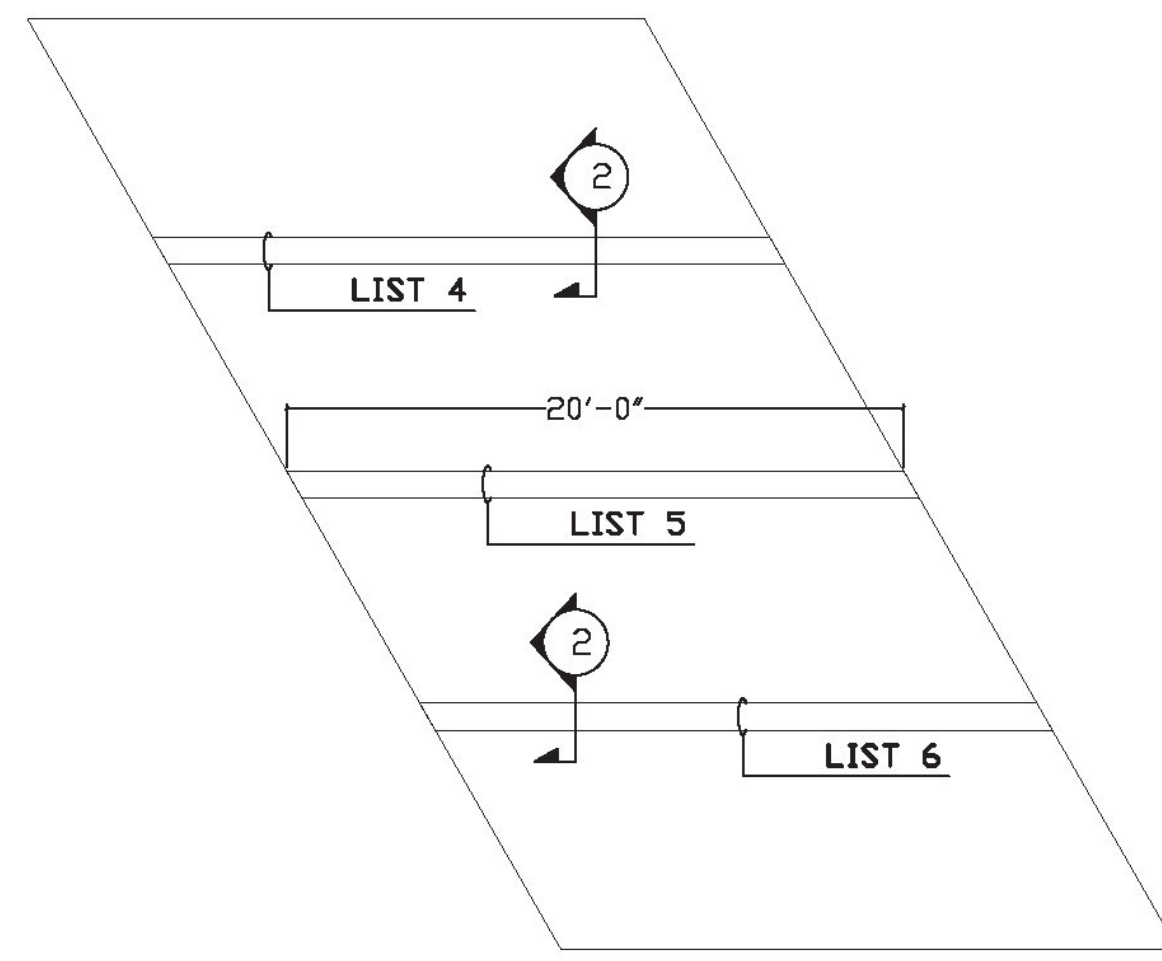
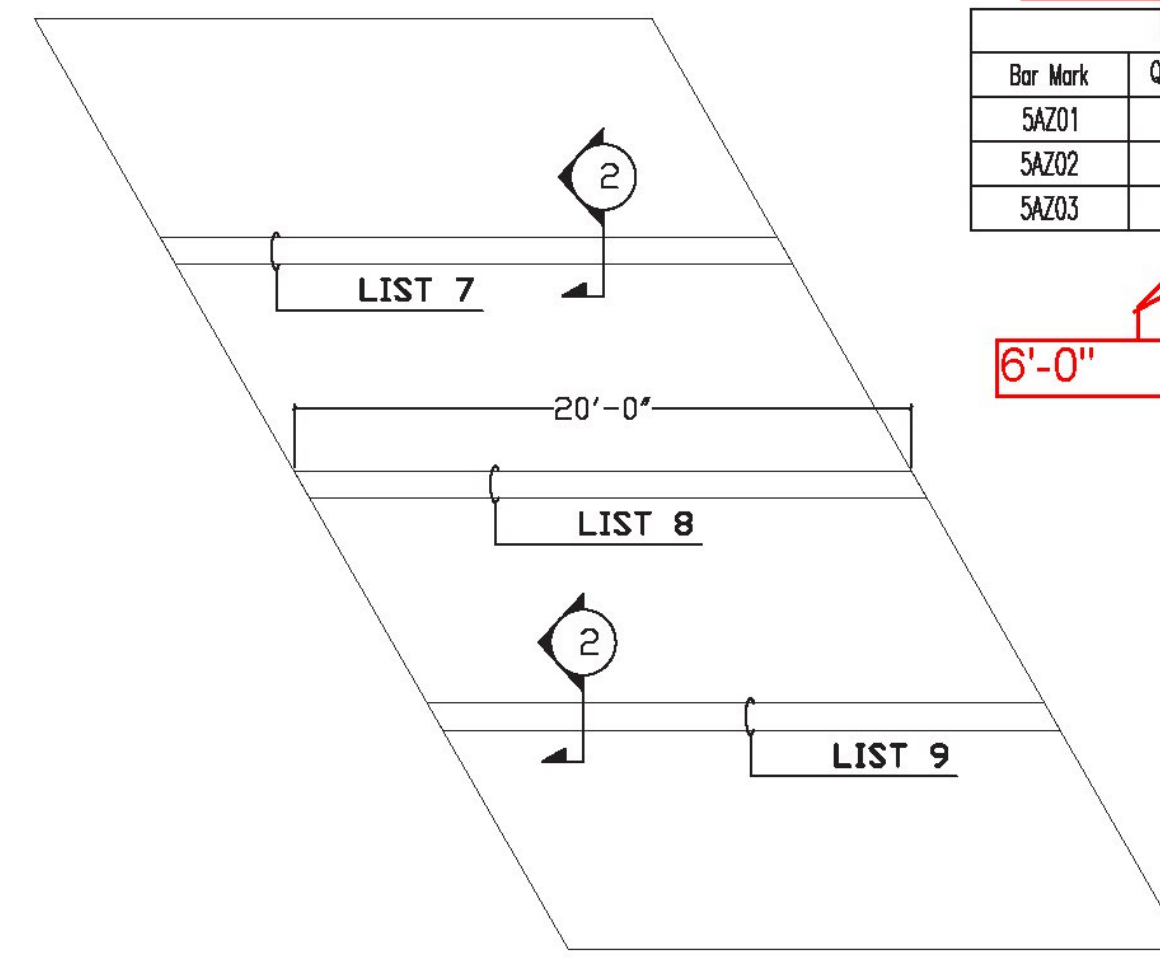


DECK PLAN  
REF: DECK PLAN/17 of 39

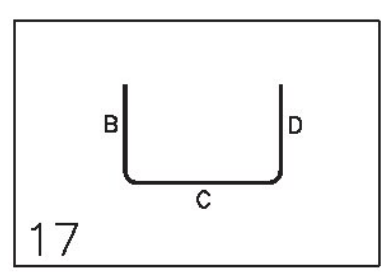


APPROACH SLAB #1 PLAN  
REF: APPROACH SLAB VIEW #1 PLAN VIEW/20 of 39



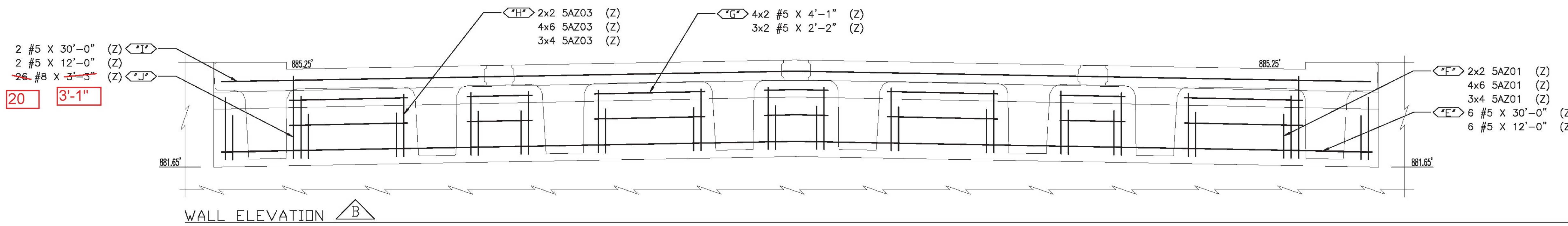
APPROACH SLAB #2 PLAN  
REF: APPROACH SLAB VIEW #1 PLAN VIEW/20 of 39

BEND SCHEDULE													
Bar Mark	Qty	Size	Total Length	Type	A'	B'	C'	D'	E'	F'	G'	H'	I'
5AZ01	80	#5	8'-2"	17		3'-2"	2'-3"	3'-2"					
5AZ02	40	#5	8'-10"	17		2'-0"	2'-10"	2'-0"					
5AZ03	40	#5	8'-8"	17		2'-0"	2'-8"	2'-0"					

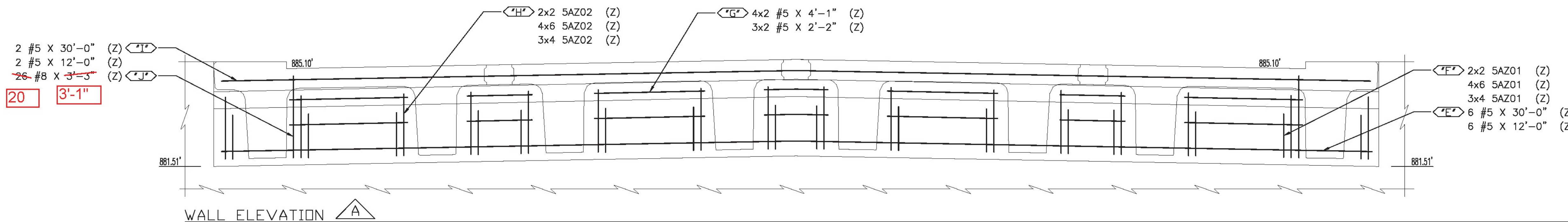


- LIST 1 86'-1 7/8"**  
 <A> 4x3 #4 X 30'-0" (Z)  
 4x1 #4 X 3'-7" (Z)  
**LIST 2 86'-1 7/8"**  
 <A> 4x3 #4 X 30'-0" (Z)  
 4x1 #4 X 3'-7" (Z)  
**LIST 3 86'-1 7/8"**  
 <A> 4x3 #4 X 30'-0" (Z)  
 4x1 #4 X 3'-7" (Z)

- LIST 4 20'-0"**  
 <B> 4 #5 X 19'-8" (Z)  
**LIST 5 20'-0"**  
 <B> 4 #5 X 19'-8" (Z)  
**LIST 6 20'-0"**  
 <B> 4 #5 X 19'-8" (Z)  
**LIST 7 20'-0"**  
 <B> 4 #5 X 19'-8" (Z)  
**LIST 8 20'-0"**  
 <B> 4 #5 X 19'-8" (Z)  
**LIST 9 20'-0"**  
 <B> 4 #5 X 19'-8" (Z)



WALL ELEVATION B



WALL ELEVATION A

NOTE: ALL REINFORCING ON THIS DRAWING IS DUAL COATED.

**LEGEND:**  
 CONT.-CONTINUOUS  
 TRANS.-TRANSVERSE  
 DWLS.-DOWELS  
 VERTS.-VERTICAL  
 HORIZ.-HORIZONTAL  
 T & B -TOP & BOTTOM  
 I.F.-INNER FACE  
 O.F.-OUTER FACE  
 E.E.-EACH END  
 E.F.-EACH FACE  
 F.F.-FRONT FACE  
 R.F.-REAR FACE  
 E.W.-EACH WAY  
 O.C.-ON CENTER  
 L.W.-LONG WAY  
 S.W.-SHORT WAY

TENSION LAP	SPLICE LENGTHS
#4	2'-7"
#5	2'-7"

**FOR APPROVAL**

ELEVATIONS & DIMENSIONS SHOWN ON THIS DWG. ARE FOR REINF. DETAILING PURPOSES ONLY AND ARE NOT INTENDED FOR CONSTRUCTION.

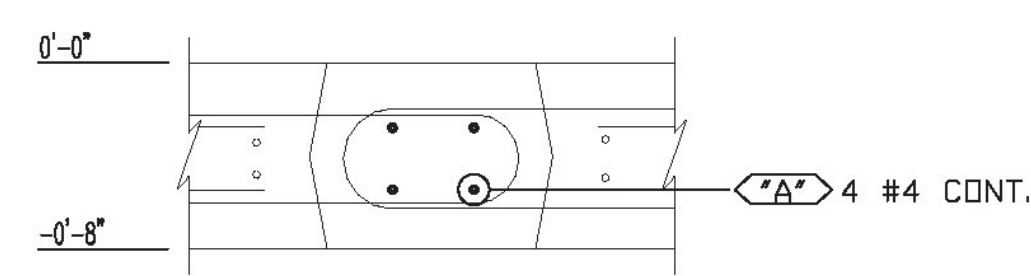
REINF. BARS ASTM A1055 (Z) BAR DUAL COATED BAR DENOTED (Z).

VERIFICATION OF UNCLEAR INFORMATION MAY BE REQUESTED ON THIS DRAWING. SHOULD VERIFICATION BE LEFT UNADDRESSED IT WILL REMAIN AS SHOWN AND ASSUME CORRECT.

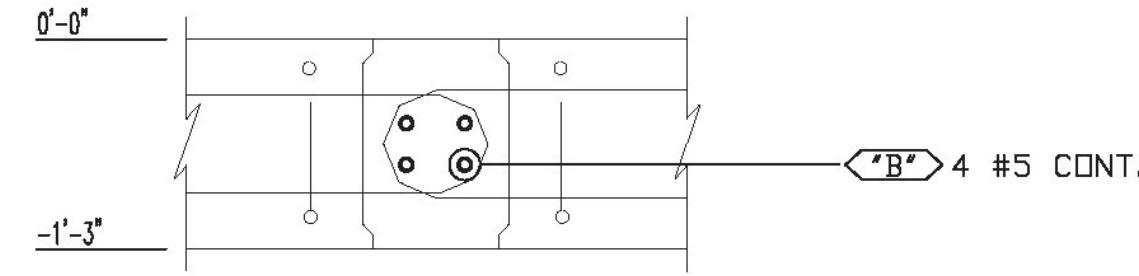
Vermont Agency of Transportation  
**RECEIVED**  
 CK'D BY KF OK'D BY WL  
 January 31, 2014  
 RESUBMIT NO Approved As Noted  
 BY KH DATE 2-6-2014

PLEASE PROVIDE DELIVERY ADDRESS.

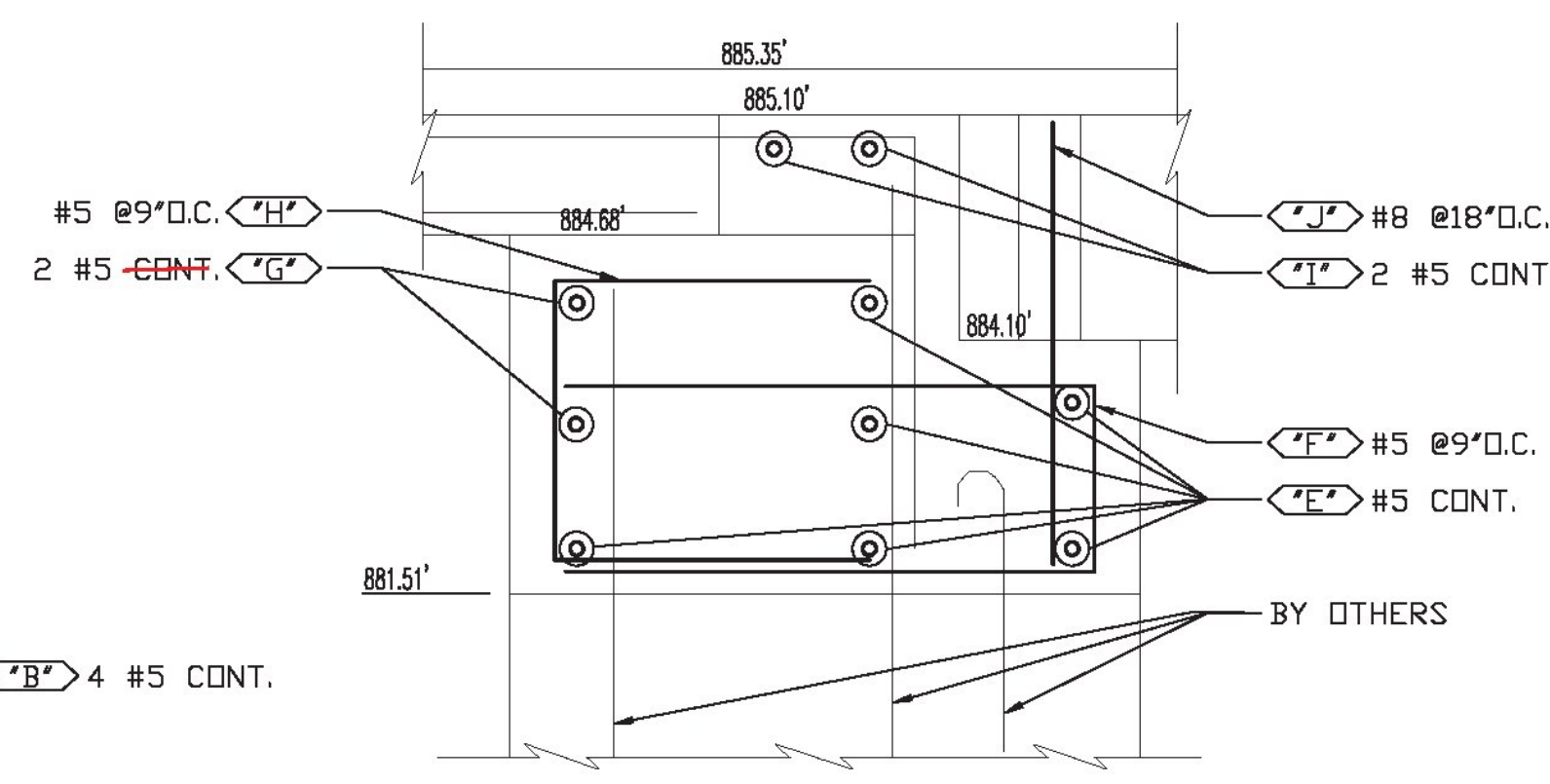
CONTRACTOR/ENGINEER PLEASE VERIFY QUANTITY AND DIMENSIONS.



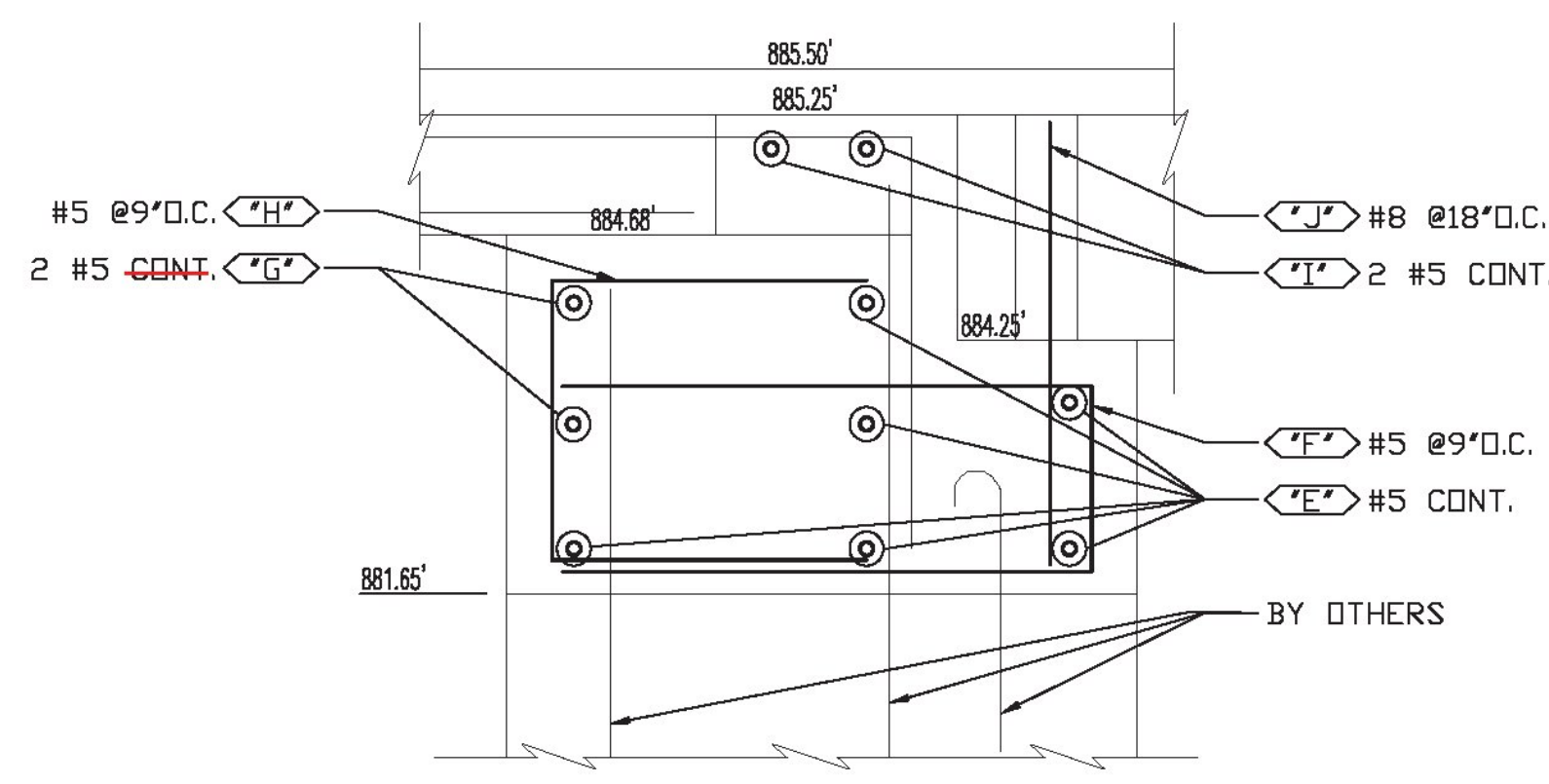
SECTION 1  
REF: CONNECTION DETAIL/18 of 39



SECTION 2  
REF: CONNECTION DETAIL/18 of 39



SECTION 3  
REF: REINFORCING TYP./25 of 39



SECTION 4  
REF: REINFORCING TYP./25 of 39

6			
5			
4			
3			
2	1/30/14	REVISE AND RESUBMIT/FOR APPROVAL	
1	12/31/13	APPROVAL	
DATE	REV.#	SENT FOR	
STRUCTURE	BARNARD		
LOCATION			
ARCHITECT	VERMONT AGENCY OF TRANSPORTATION		
ENGINEER	MILLER CONSTRUCTION		
CUSTOMER			
DRAWN BY	DATE	SHEET #	
ASHLEE	12/31/13	8702	
DRAWING COVERS		DRAWING #	
APPROACH SLAB AND DECK SLAB CONNECTION JOINT REINFORCING		A	