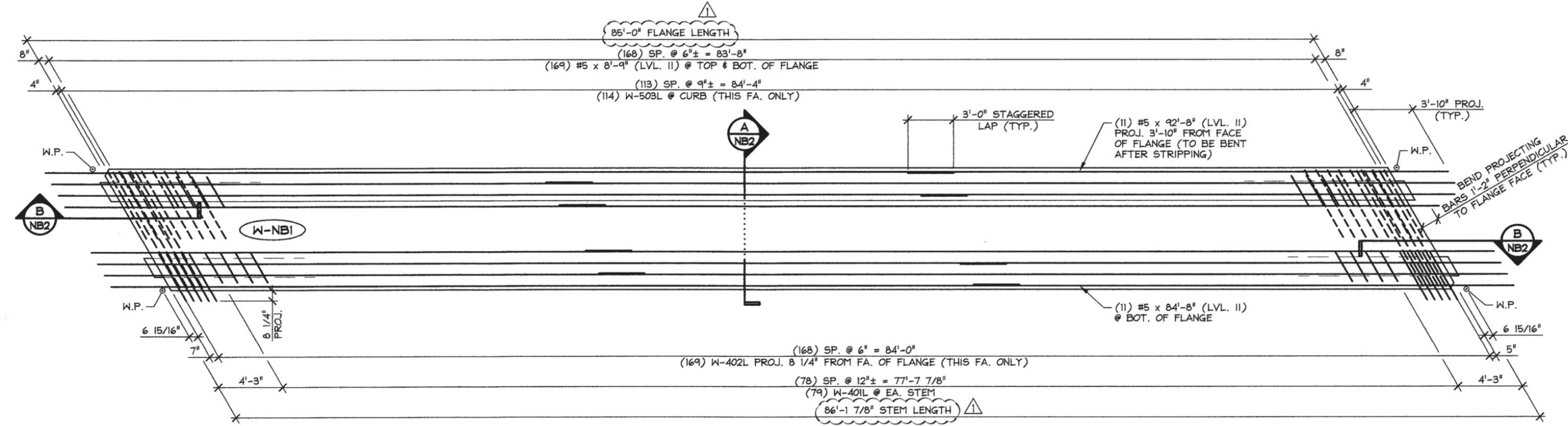
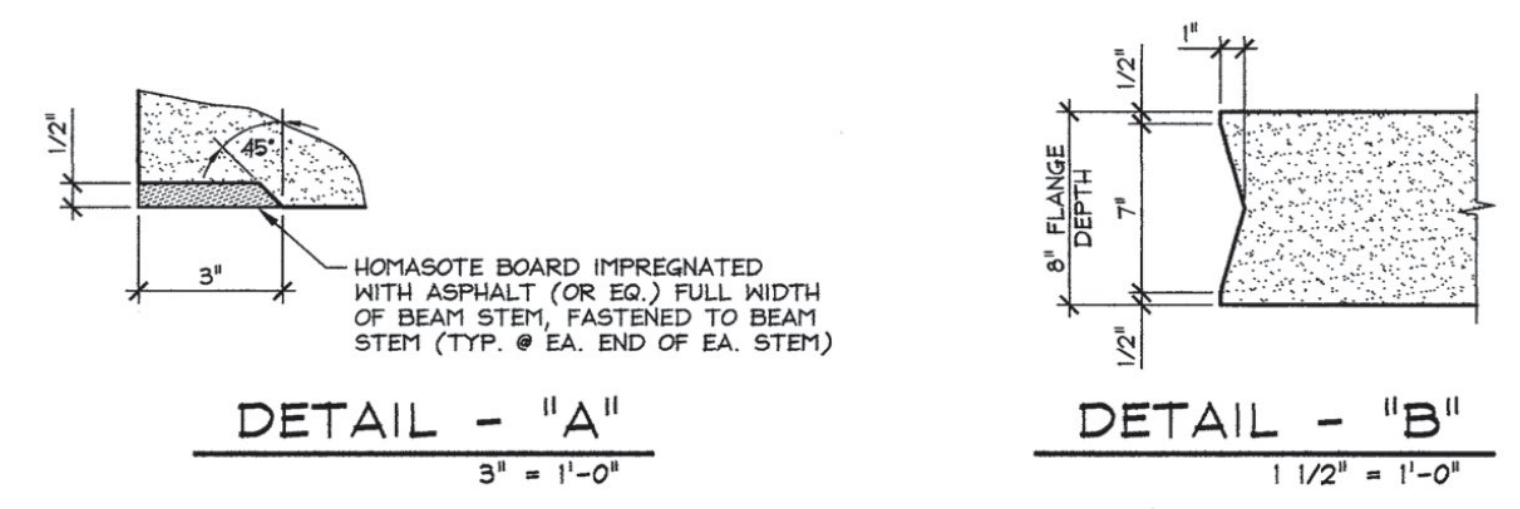


**1 DIMENSIONAL PLAN VIEW IN FORM**  
NB2  
3/16" = 1'-0"

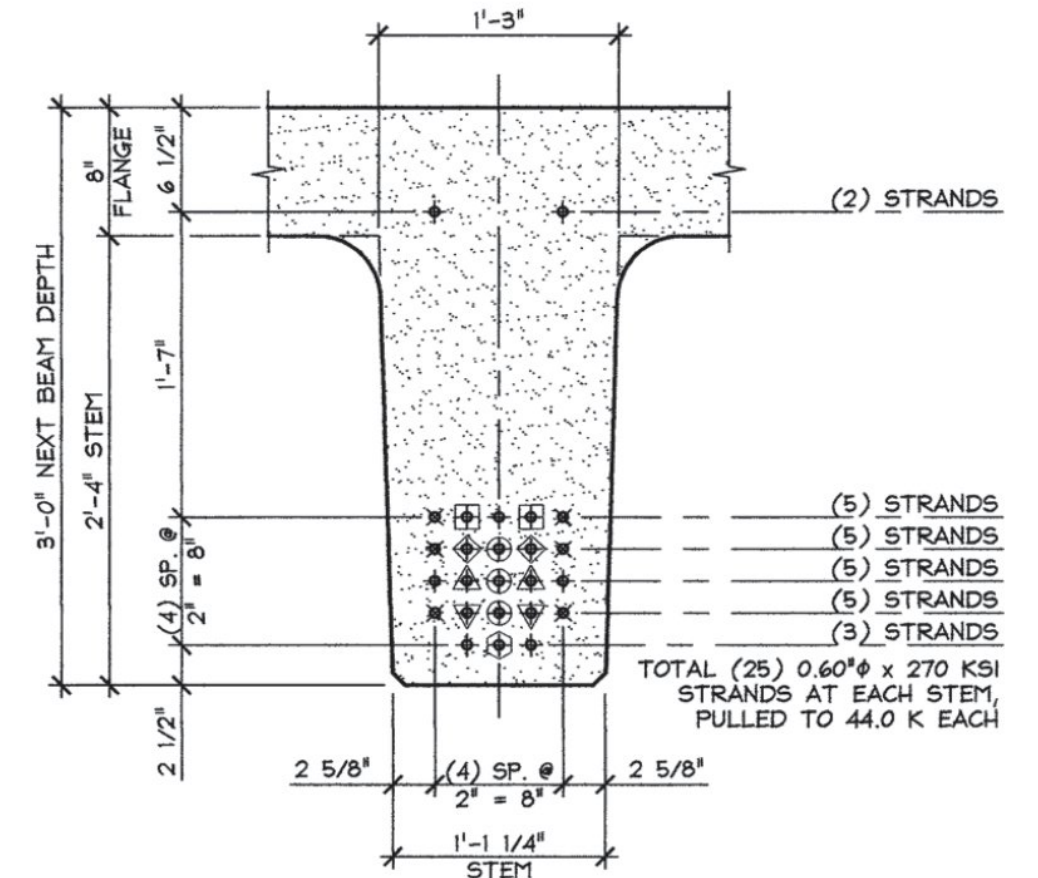


**2 REINFORCING PLAN VIEW IN FORM**  
NB2  
ALL DIMENSIONS INDICATED ARE PARALLEL OR PERPENDICULAR TO C OF STEMS (U.N.O.)  
3/16" = 1'-0"



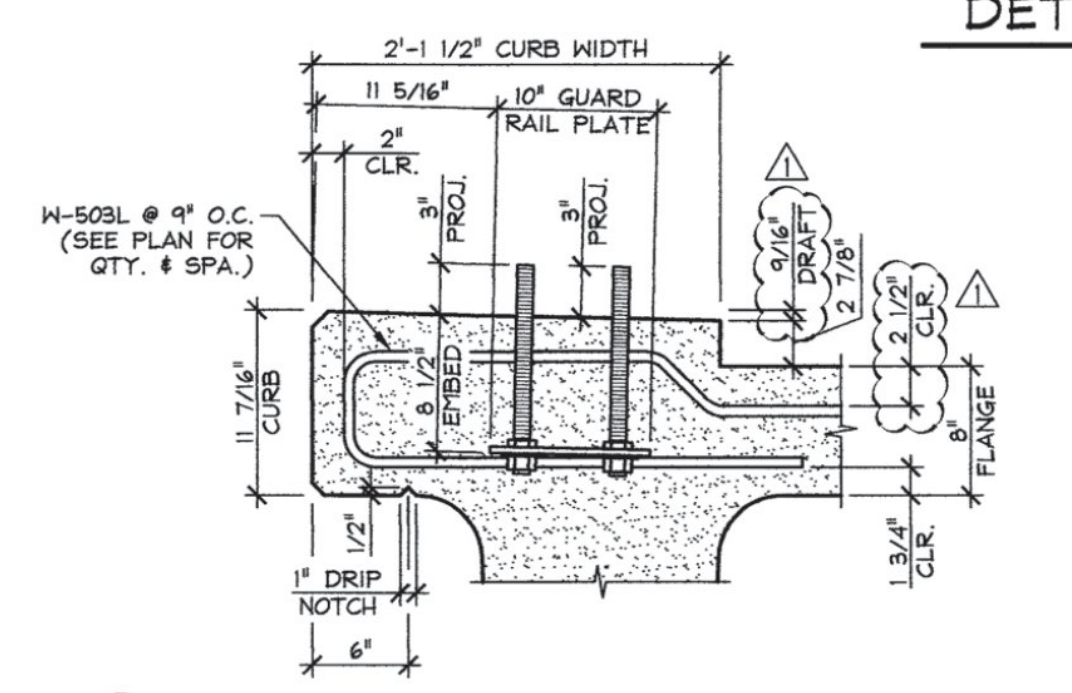
**DETAIL - "A"**  
3" = 1'-0"

**DETAIL - "B"**  
1 1/2" = 1'-0"

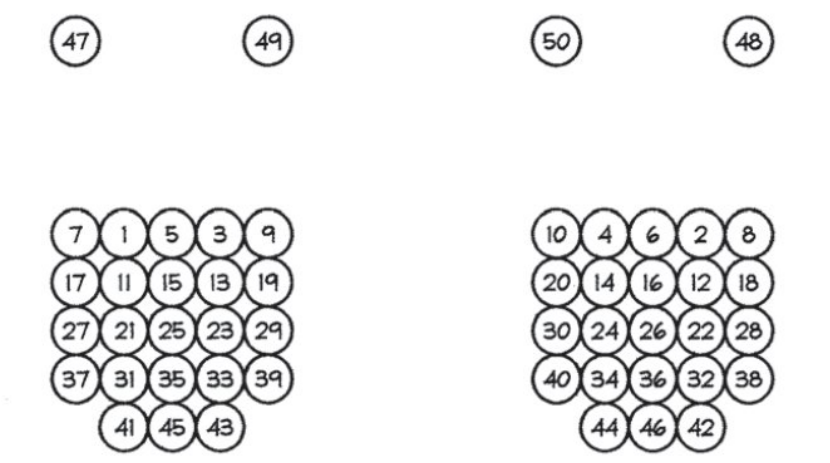


**DETAIL - "C" (STEM STRAND PATTERN)**  
1" = 1'-0"

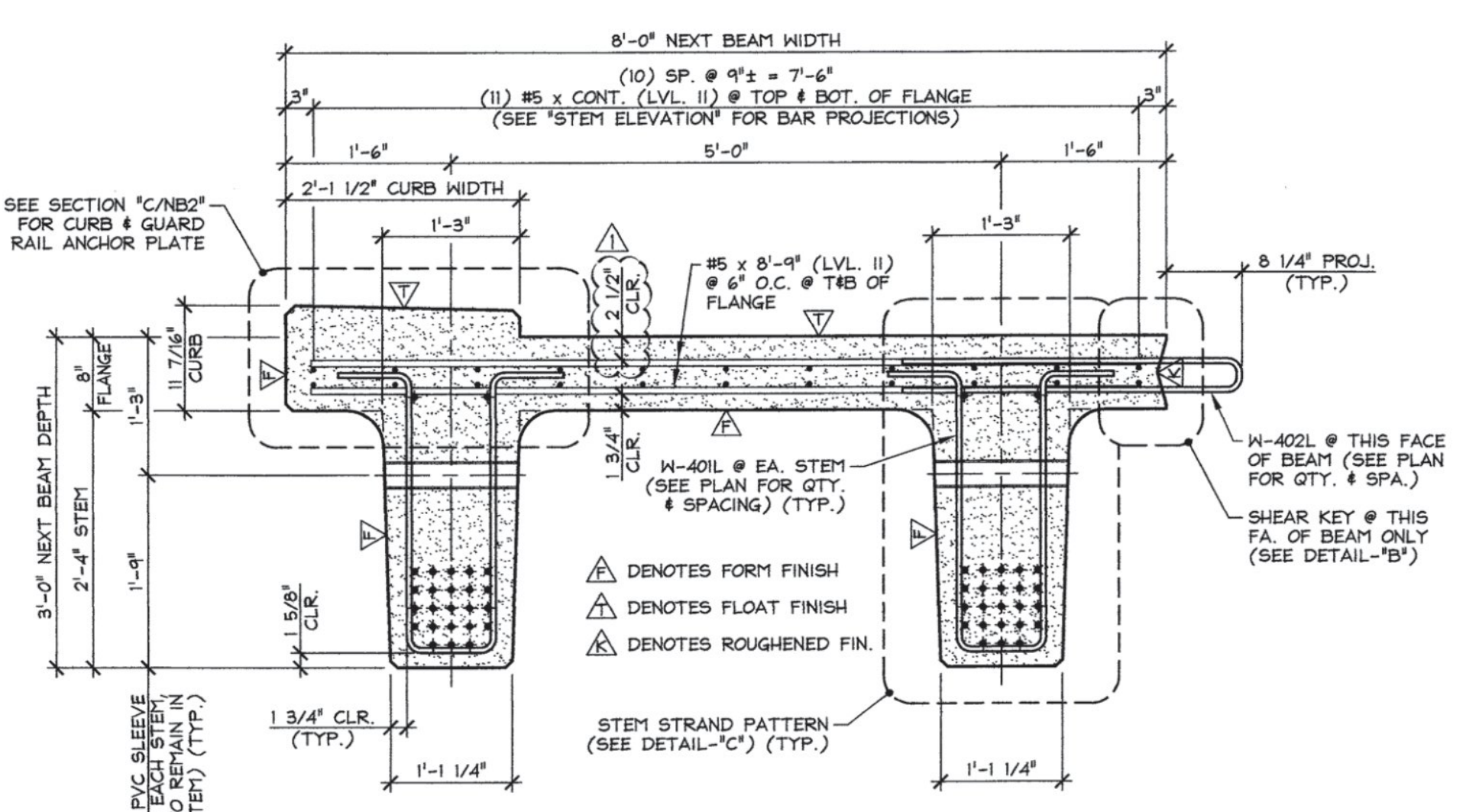
- PRESTRESSING NOTATIONS**
- ◆ DENOTES STRAIGHT STRANDS TO BE CUT FLUSH WITH EA. END OF EA. STEM
  - ✖ DENOTES STRAIGHT STRANDS TO PROJECT 1'-6" FROM EA. END OF EA. STEM
  - ⊕ DENOTES STRAIGHT STRANDS TO BE DEBONDED 6" FROM EA. END OF EA. STEM
  - ⊞ DENOTES STRAIGHT STRANDS TO BE DEBONDED 10'-0" FROM EA. END OF EA. STEM
  - ⊟ DENOTES STRAIGHT STRANDS TO BE DEBONDED 14'-0" FROM EA. END OF EA. STEM
  - ⊠ DENOTES STRAIGHT STRANDS TO BE DEBONDED 16'-0" FROM EA. END OF EA. STEM
  - ⊡ DENOTES STRAIGHT STRANDS TO BE DEBONDED 18'-0" FROM EA. END OF EA. STEM
  - ⊢ DENOTES STRAIGHT STRANDS TO BE DEBONDED 20'-0" FROM EA. END OF EA. STEM



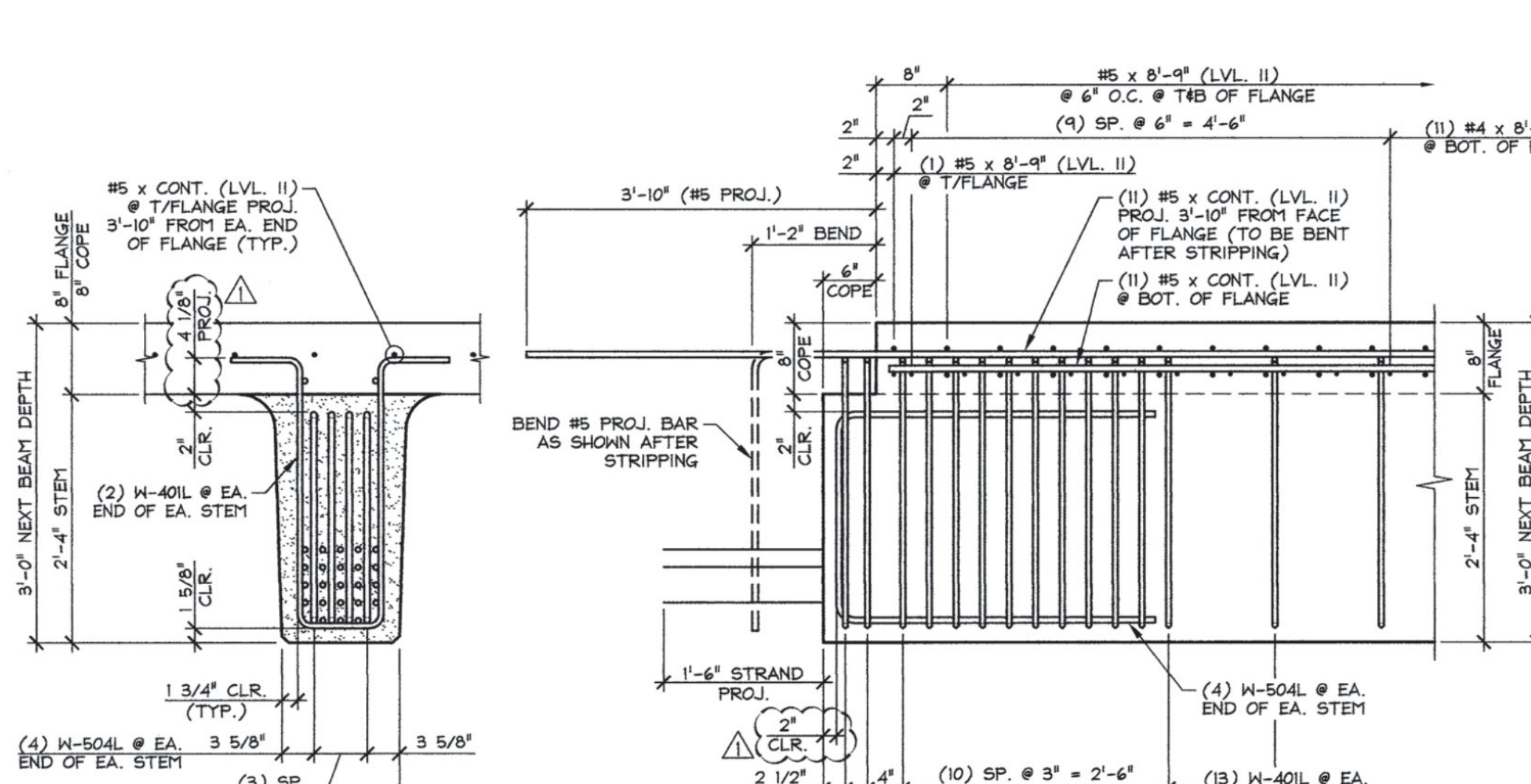
**C CURB & GUARD RAIL ANCHOR PLATE SECTION**  
NB2  
TYP. BEAM REINF. NOT SHOWN FOR CLARITY  
1" = 1'-0"



**DETENSING SCHEDULE**  
N.T.S.



**A DIMENSIONAL & REINFORCING SECTION**  
NB2  
3/4" = 1'-0"



**B END BLOCK STEM REINFORCING DETAILS**  
NB2  
3/4" = 1'-0"

MARK:	W-NB1	QTY.:	1	WT.:	73.38 T	VOL.:	36.24 cy
MATERIAL LIST / NEXT BEAM							
ITEM	MARK	DESCRIPTION	QTY.				
1	W-401L	#4 BENT BAR (LEVEL II, DUAL COATED)	210				
2	W-402L	#4 BENT BAR (LEVEL II, DUAL COATED)	169				
3		#4 x 8'-9" (LEVEL II, DUAL COATED)	22				
4							
5	W-503L	#5 BENT BAR (LEVEL II, DUAL COATED)	114				
6	W-504L	#5 BENT BAR (LEVEL II, DUAL COATED)	16				
7		#5 x 8'-9" (LEVEL II, DUAL COATED)	340				
8		#5 x 92'-8" (W/ (1) 2'-6" STAGGERED LAP) (LVL. II, DUAL COATED)	11				
9		#5 x 84'-8" (W/ (1) 2'-6" STAGGERED LAP) (LVL. II, DUAL COATED)	11				
10							
11							
12							
13		GUARD RAIL ANCHOR PLATE (GALV.) (SUPPLIED BY OTHERS)	10				
14		SET OF (4) 0.60" x 270 KSI STRAND LIFTING LOOPS	4				
15							

1-16-14 REVISED AS NOTED

APPROVAL STAMP:

Vermont Agency of Transportation  
**RECEIVED**  
CK'D BY JDG/JW OK'D BY WDL  
January 27, 2014  
RESUBMIT No Approved  
BY KMH DATE 02/10/2014

J.P. CARRARA & SONS INC. Miller Construction, Inc.  
Precast & Prestress Manufacturer Contractor  
244 GAZE STR., MIDDLEBURY, VERMONT 05753 Phone: (802)388-6361 Fax: (802)388-8010 BARNARD, VERMONT

STATE OF VERMONT AGENCY OF TRANSPORTATION COUNTY OF WINDSOR  
DATE: DEC. 18, 2013  
SCALE: NOTED

TOWN OF BARNARD  
VT ROUTE 12, MAJOR COLLECTOR  
BRIDGE NO.: 25 PROJECT NO.: ER BRF 0241(39)  
CHKD: - DFTM: B.L.  
JOB NO: 23413-013

PRESTRESSED NEXT BEAM DETAILS  
DWG. NO: NB2