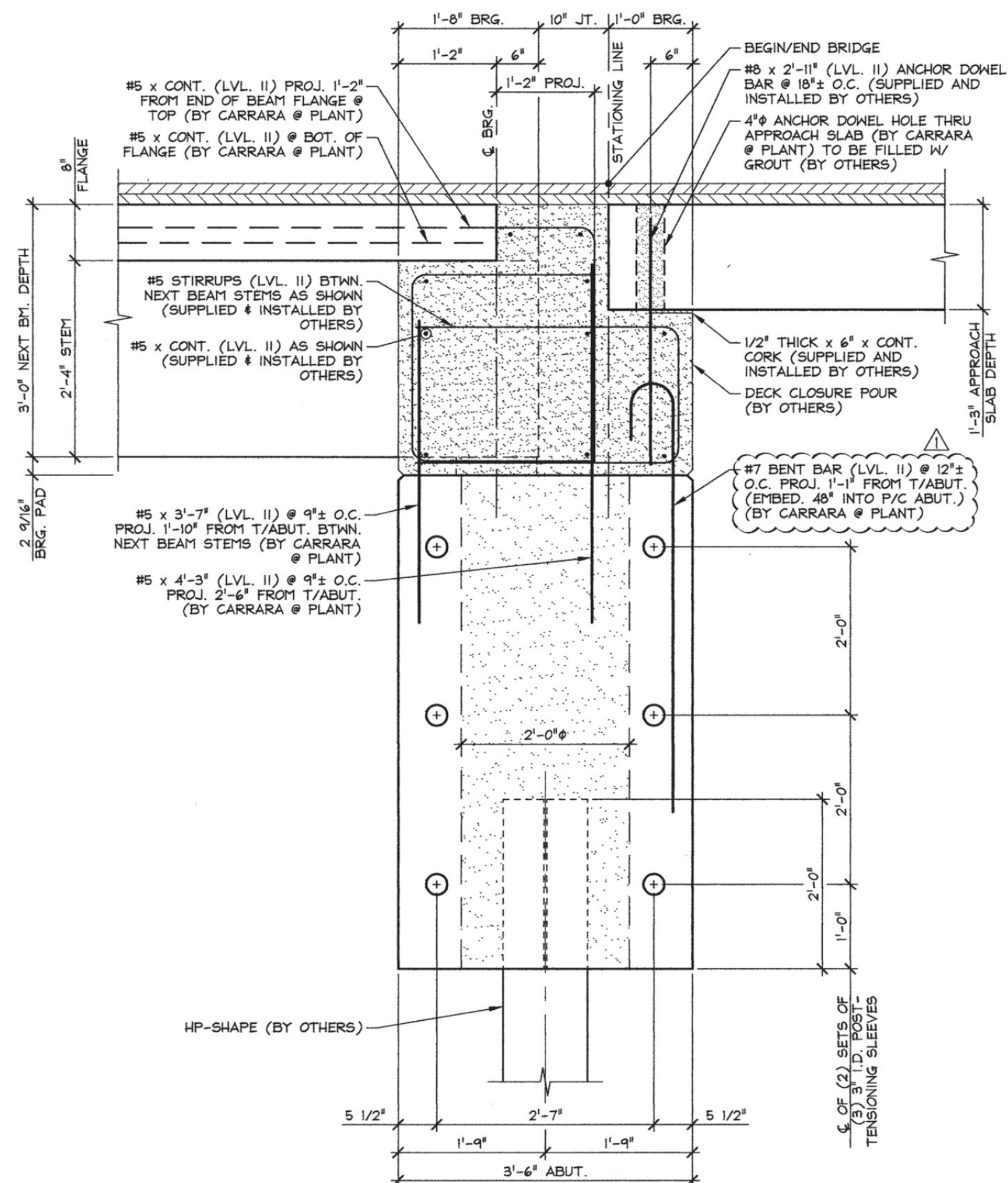
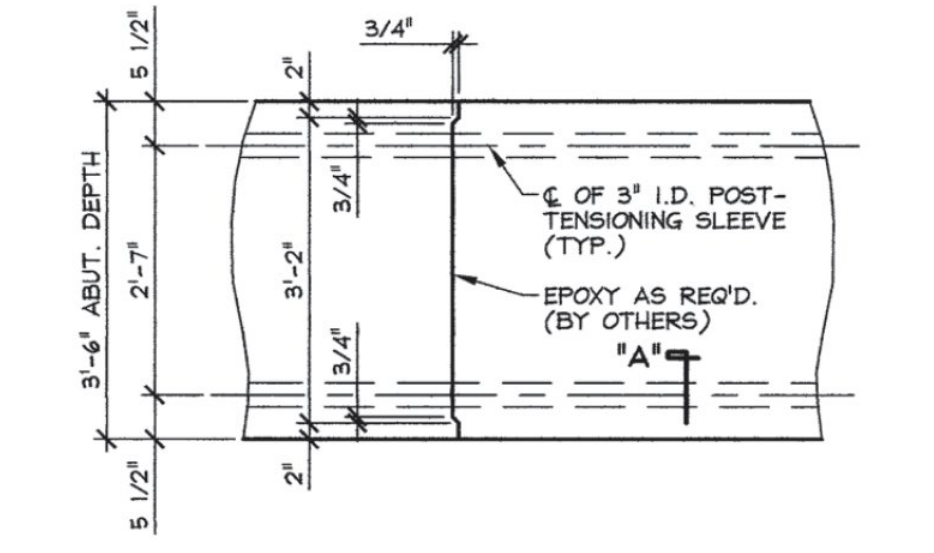


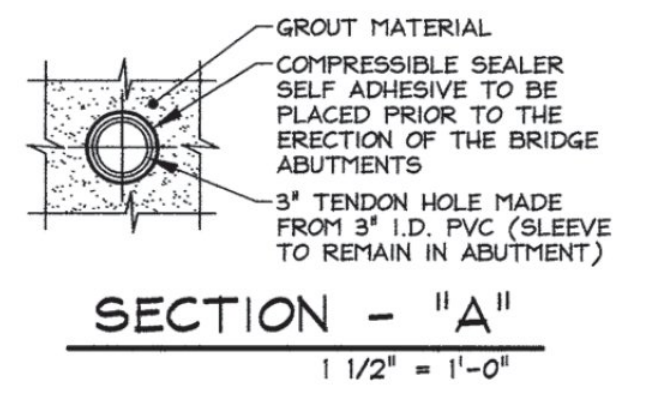
A BEARING SECTION
F3 NEXT BEAM STEM BEARING 3/4" = 1'-0"



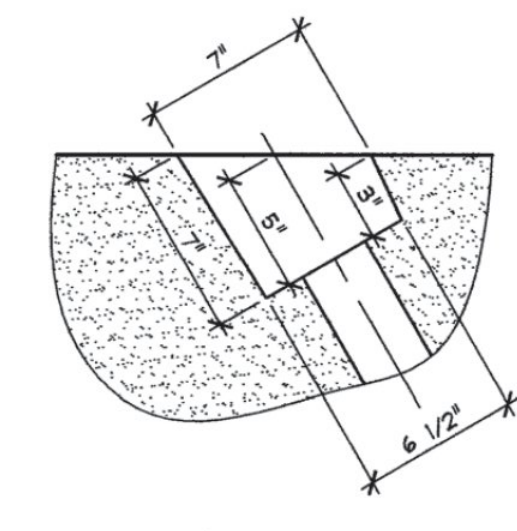
A.1 BEARING SECTION
F3 BETWEEN NEXT BEAM STEM BEARING 3/4" = 1'-0"



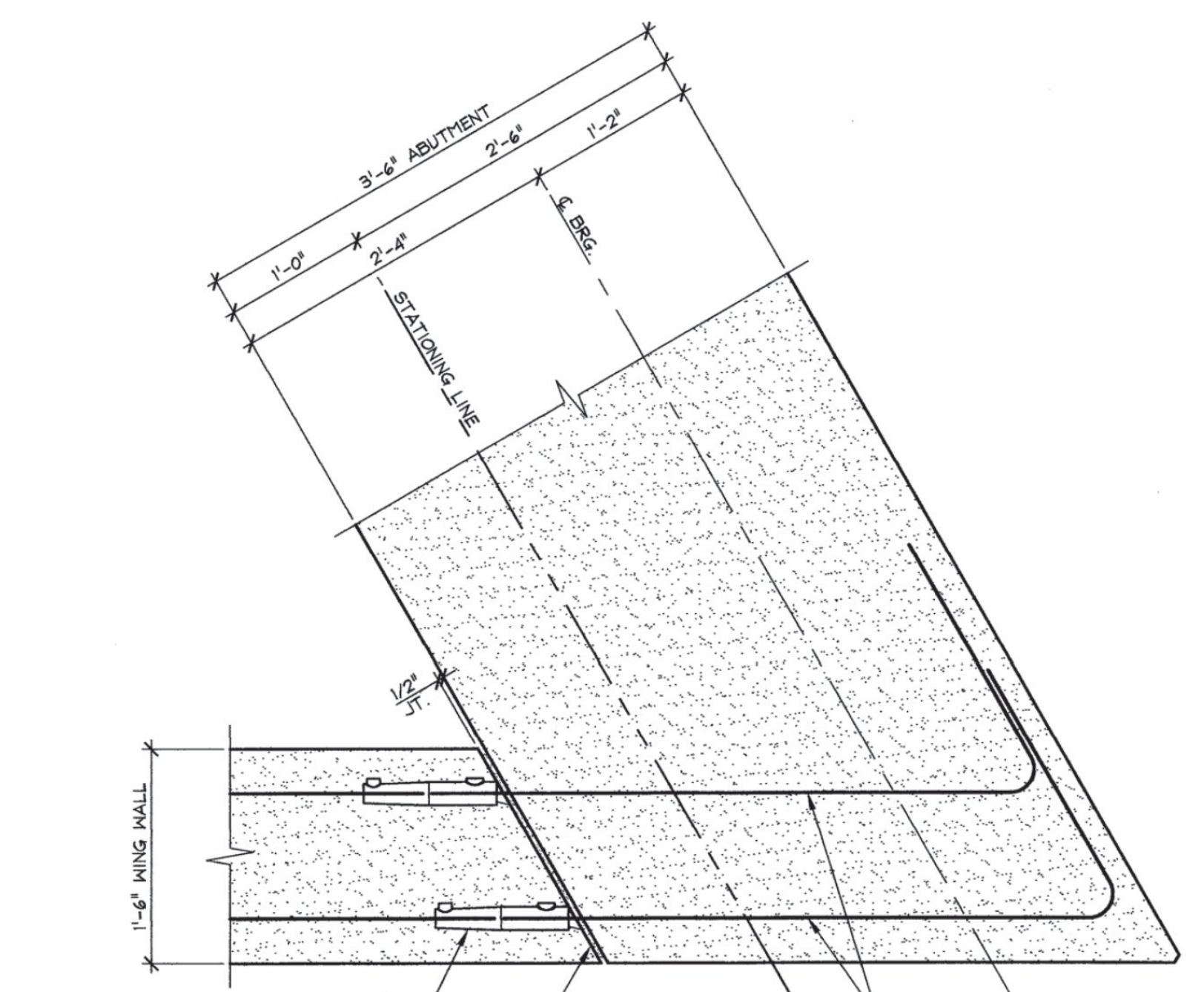
D MATCH CAST SECTION @
F3 P.T. SLEEVE 1/2" = 1'-0"



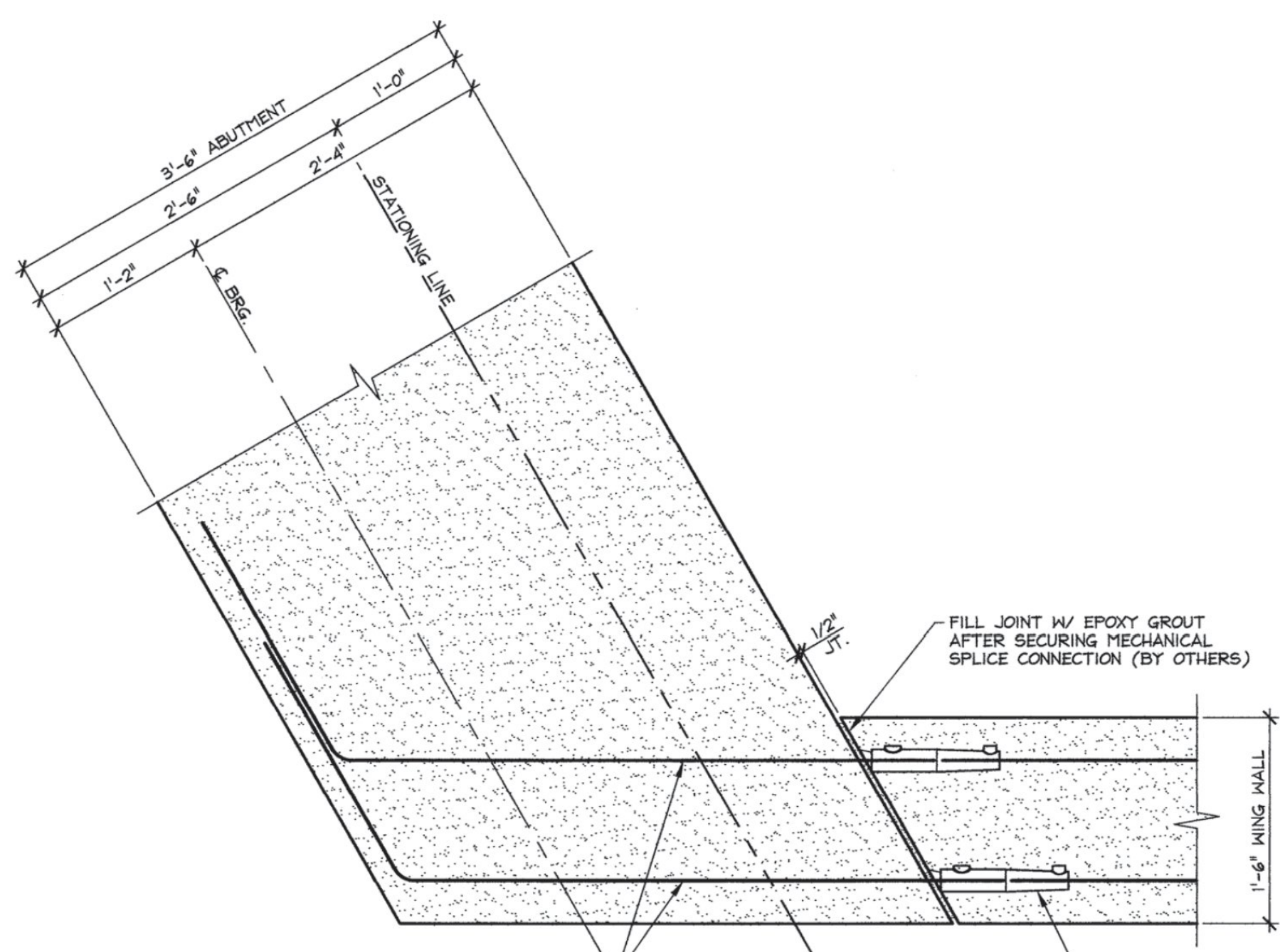
SECTION - "A"
 1 1/2" = 1'-0"



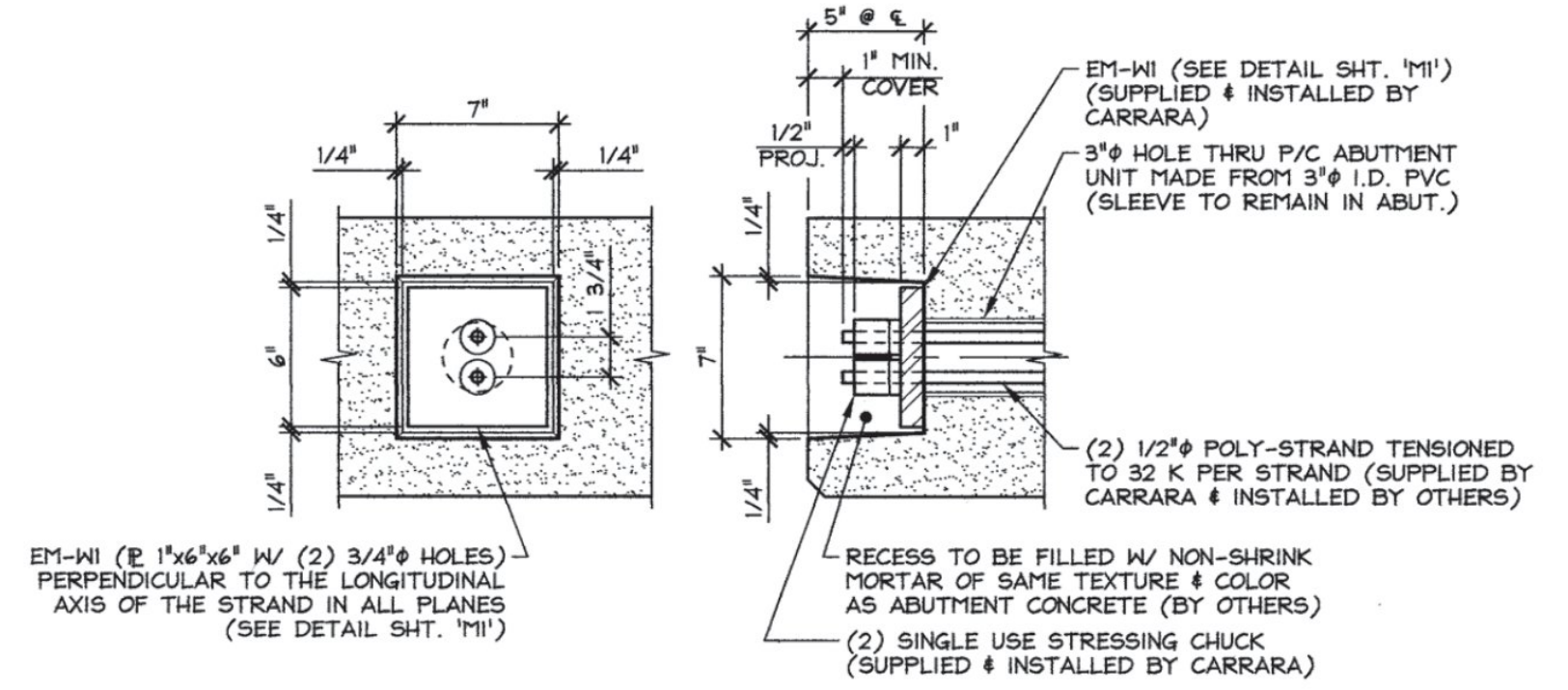
PLAN OF POCKET



B WING WALL CONNECTION DETAIL
F3 1" = 1'-0"



C WING WALL CONNECTION DETAIL
F3 1" = 1'-0"



ABUTMENT ELEVATION SECTION AT CENTERLINE
DETAIL - "A"
 1 1/2" = 1'-0"

1-16-14 REVISED AS NOTED

APPROVAL STAMP:
 Vermont Agency of Transportation
RECEIVED
 CK'D BY JDG/JW OK'D BY WDL
 January 27, 2014
 RESUBMIT No Approved
 BY KMH DATE 02/10/2014

J.P. CARRARA & SONS INC. Precast & Prestress Manufacturer 2444 OISE ST., MIDDLEBURY, VERMONT 05753 Phone: (802)388-6361 Fax: (802)388-8010		MILLER CONSTRUCTION, INC. CONTRACTOR BARNARD, VERMONT	
STATE OF VERMONT AGENCY OF TRANSPORTATION COUNTY OF WINDSOR		DATE: DEC. 18, 2013	
TOWN OF BARNARD VT ROUTE 12, MAJOR COLLECTOR BRIDGE NO.: 25 PROJECT NO.: ER BRF 0241(39)		SCALE: NOTED	
ABUTMENT DETAILS		CHKD: - DFTM: B.L. JOB NO: 23413-013	
		DWG. NO: F3	