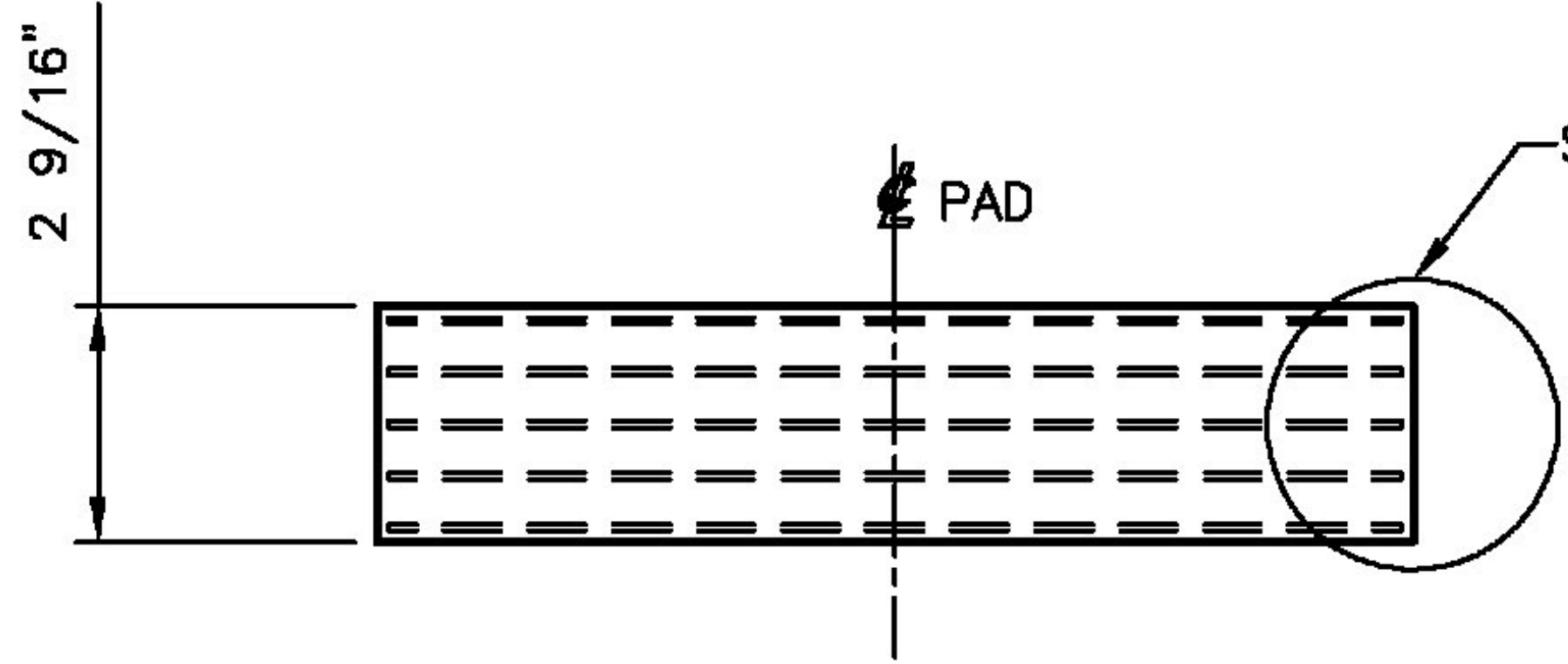


PLAN VIEW



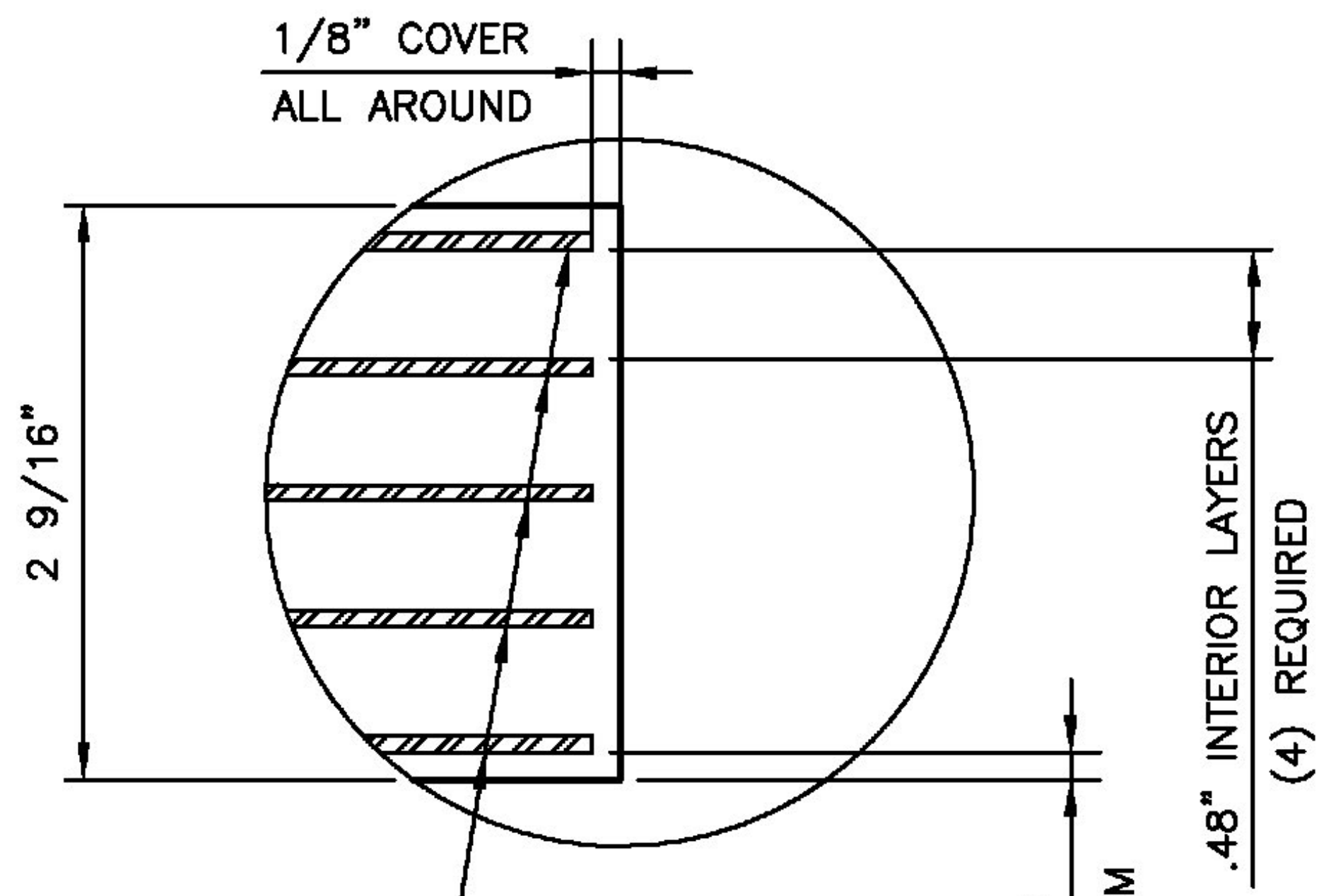
ELEVATION VIEW

LAMINATED ELASTOMERIC BEARING PAD

LEP1
(16) REQUIRED FOR STRUCTURE

DESIGN LOAD
TOTAL LOAD = 38.0 KIPS

**APPROVER PLEASE PROVIDE
LOAD CRITERIA FOR TESTING**



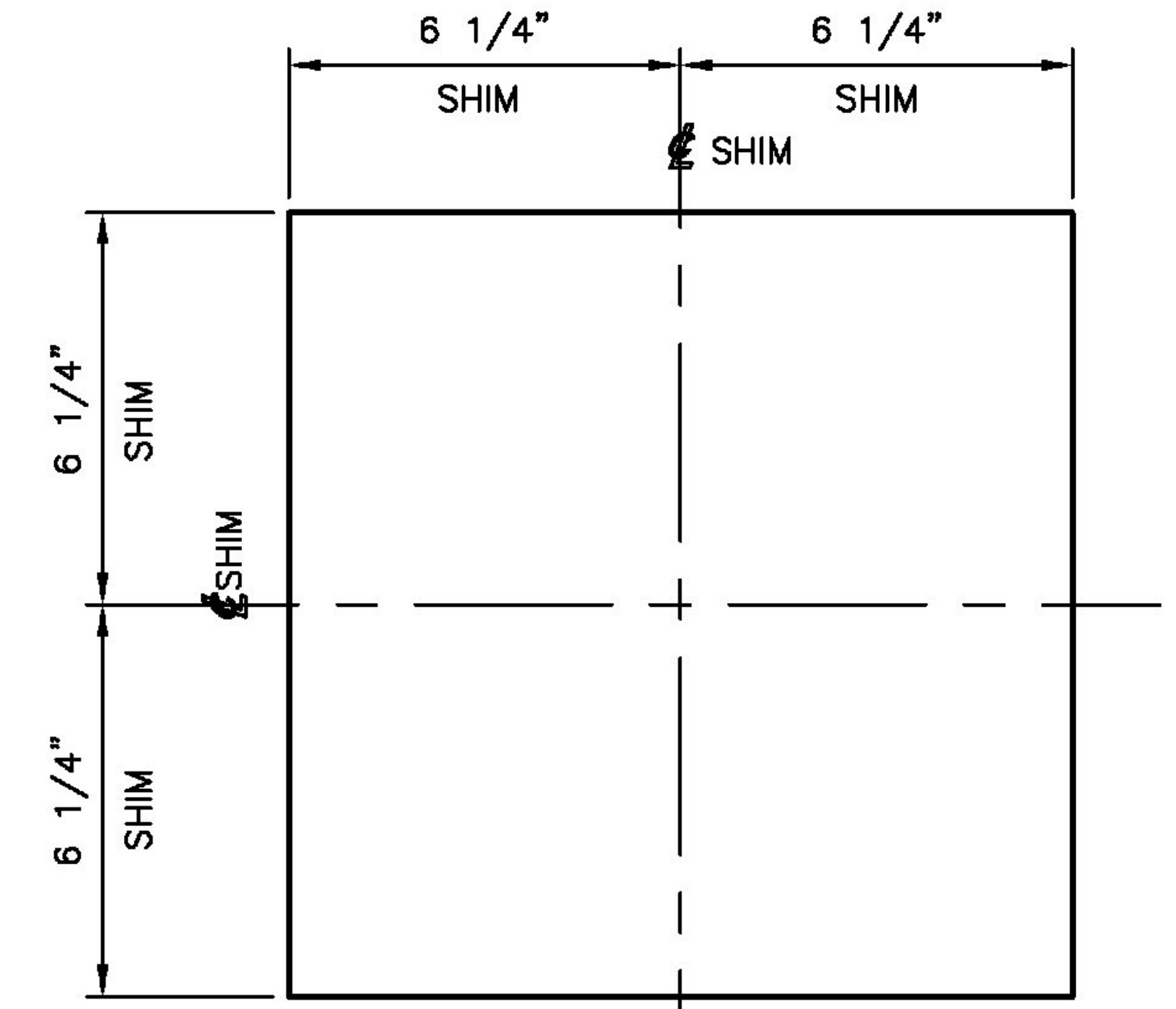
DETAIL 1

LEP1
LAMINATED BEARING PAD
2 9/16" X 11 1/2" X 11 1/2"
50 DUROMETER NATURAL RUBBER
WITH A SHEAR MODULUS OF
100PSI +/- 15%
(5) TOTAL REQUIRED

TEST PAD

LEP1
LAMINATED BEARING PAD
2 9/16" X 11 1/2" X 11 1/2"
50 DUROMETER NATURAL RUBBER
WITH A SHEAR MODULUS OF
100PSI +/- 15%
(2) REQUIRED FOR TESTING

14 GA. (.0747" NOM.) INTERNAL STEEL SHIMS



STEEL SHIMS

1/4" X 12 1/2" X 12 1/2"
ASTM A709 GR.36 (GALV.)
(24) REQUIRED FOR STRUCTURE

STATE OF VERMONT
AGENCY OF TRANSPORTATION
BARNARD COUNTY

Vermont Agency of Transportation
RECEIVED
CK'D BY WL OK'D BY JS
December 2, 2013
RESUBMIT NO Approved AsNoted
BY KH DATE 12-3-2013

STATE	COUNTY	CONTROL NO.
VT	BARNARD	N/A
PROJ. NO.: ER BRF 0241 (39)		
DYNAMIC RUBBER:		
LAM. ELASTOMERIC BEARING PADS		
Cosmea		1501 ROCKY RIDGE ROAD P.O. BOX 2159 ATHENS, TEXAS 75751
SCALE: NONE	DRAWN BY: SF	CHECKED BY: SL
	DATE: 11/19/13	DATE: 11/25/13
SHEET 1 OF 1	JOB NO.: 12256	
REV.	DESCRIPTION	BY DATE CK'D DATE
	CUSTOMER: MILLER CONSTRUCTION INC	DRAWING NUMBER: 12256-D1
		REV. 0