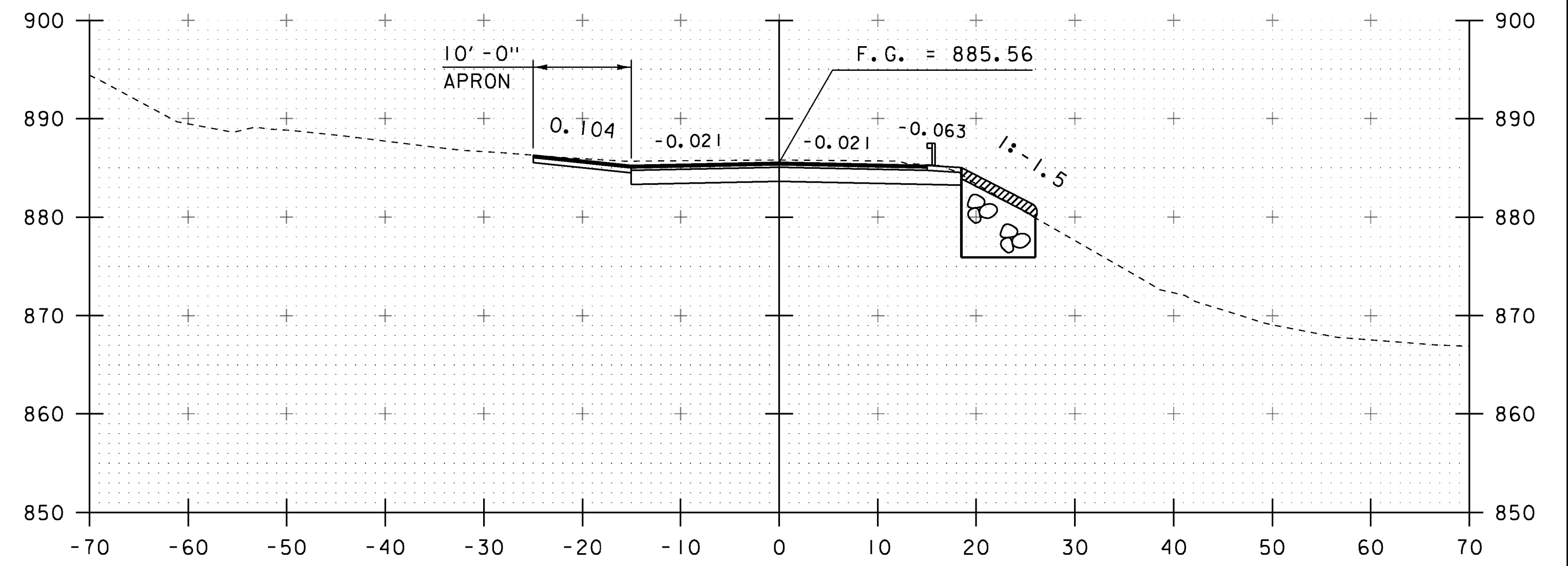
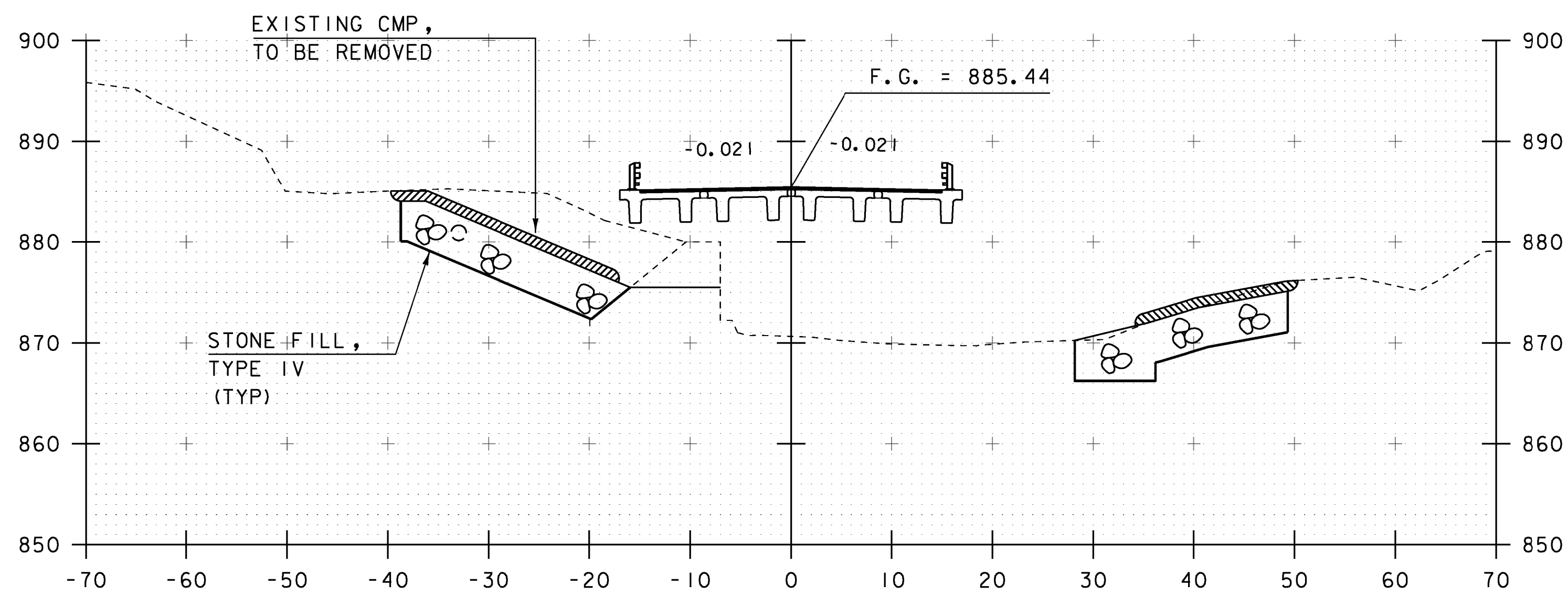


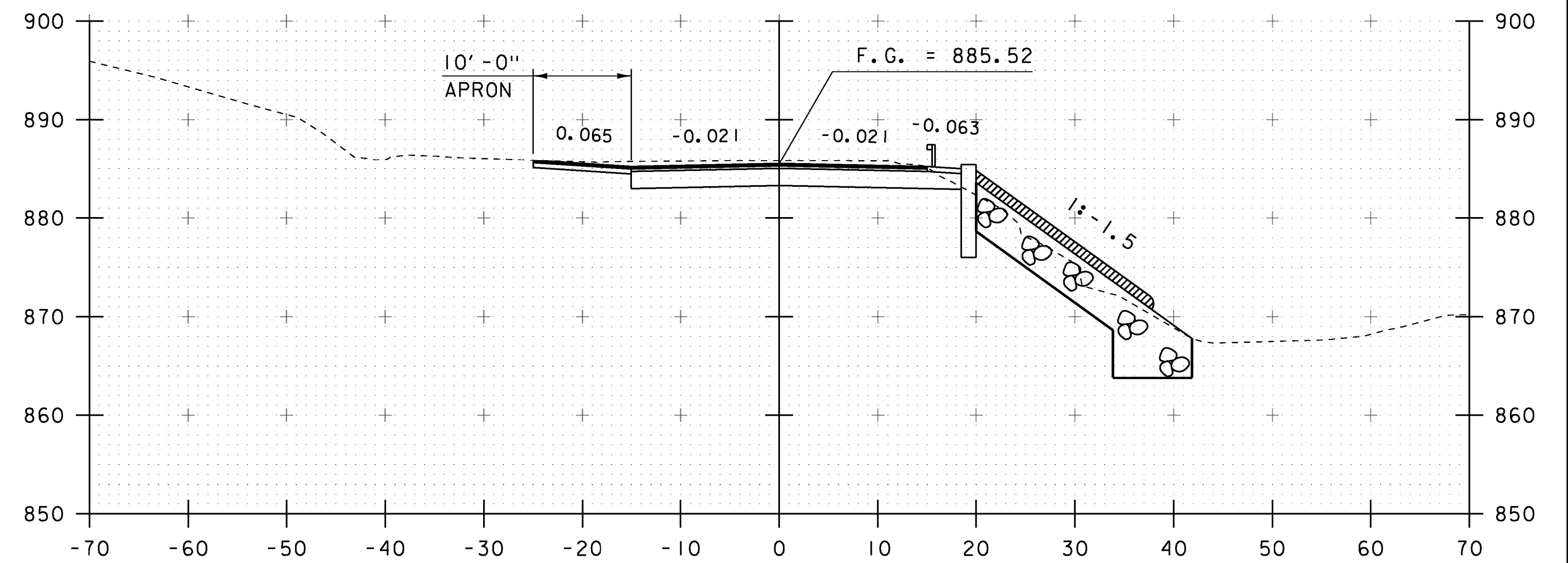
371+25



371+70



371+00



371+50
END BRIDGE STA 371+36.55

PROJECT NAME: BARNARD
PROJECT NUMBER: ER BRF 0241(39)

FILE NAME: sl0c410xsl.dgn
PROJECT LEADER: K. HIGGINS
DESIGNED BY: W. LAMMER

PLOT DATE: 29-AUG-2013
DRAWN BY: J. GRIGAS
CHECKED BY: J. SALVATORI
SHEET 34 OF 39

STA. 371+00 TO STA. 371+70

MAINLINE SECTIONS