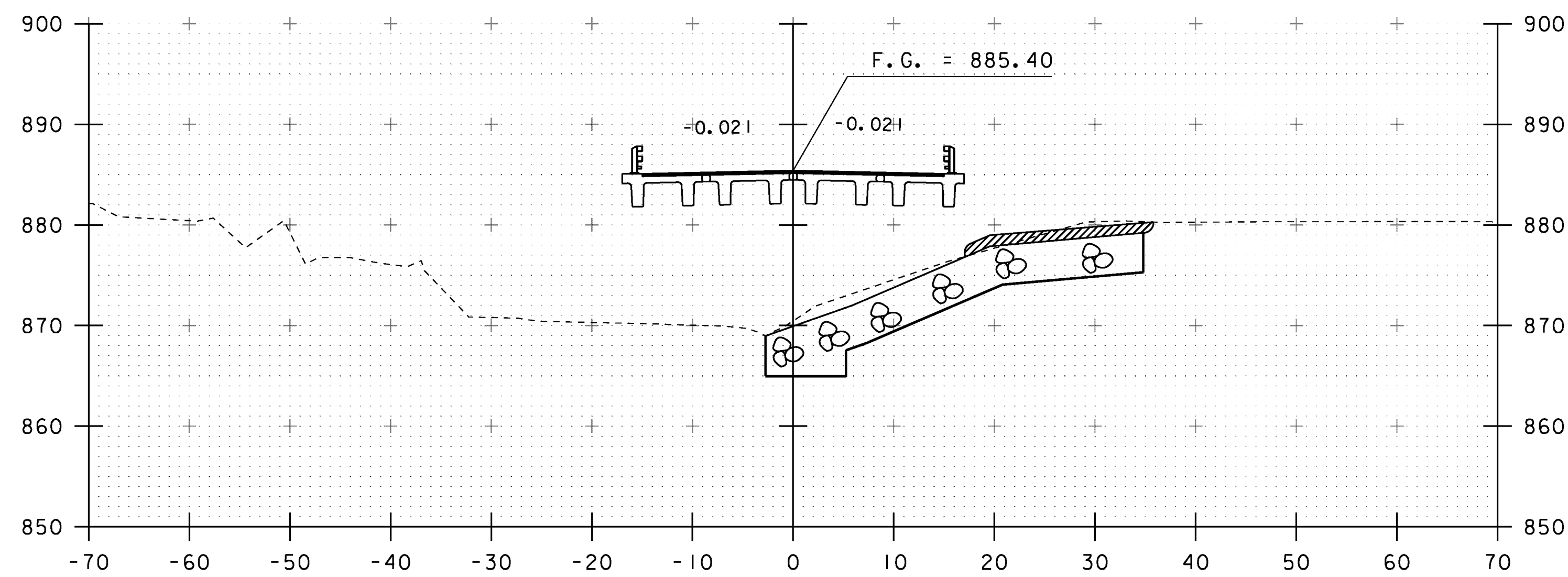
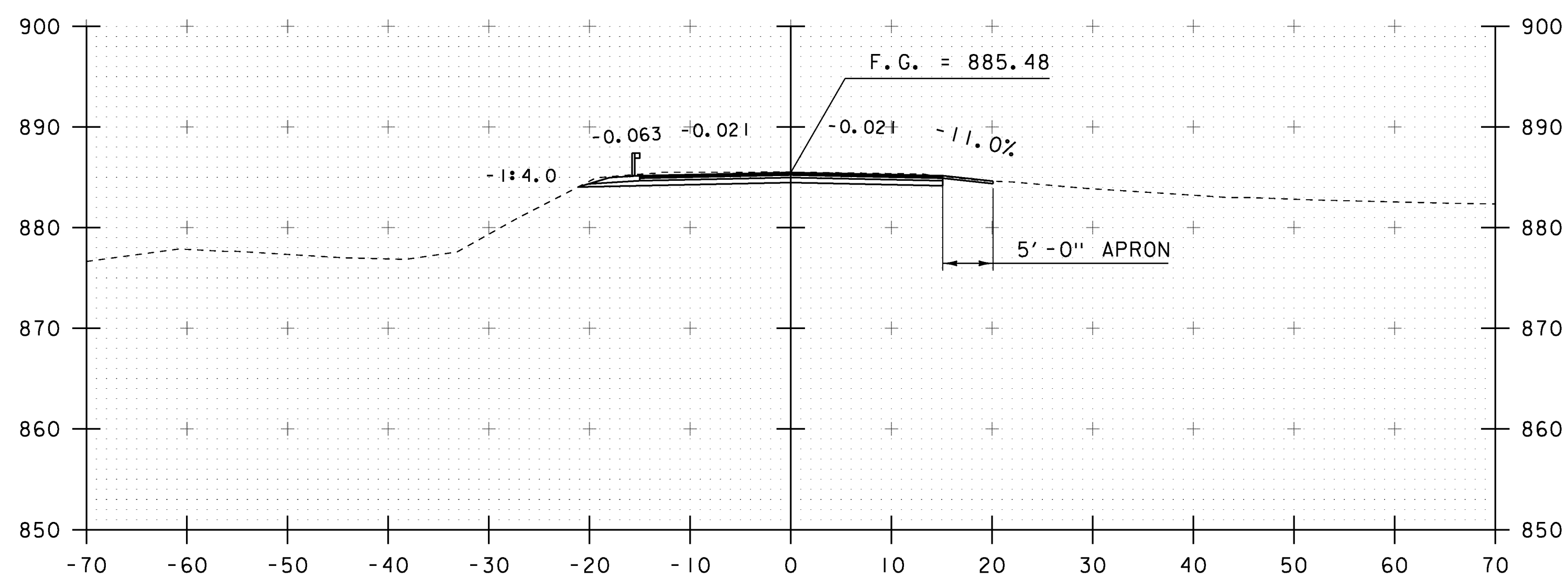


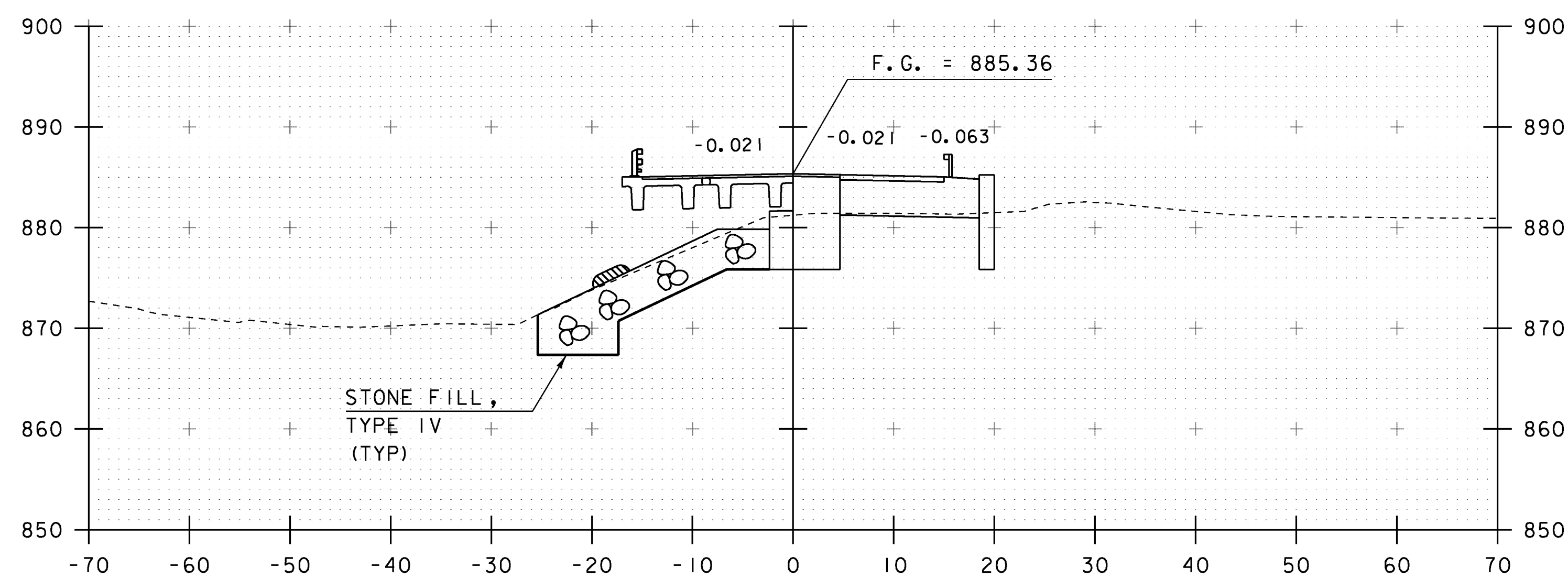
370+25



370+75



370+00
BEGIN PROJECT



370+50
BEGIN BRIDGE STA 370+48.46

STA. 370+00 TO STA. 370+75

PROJECT NAME: BARNARD	PLOT DATE: 29-AUG-2013
PROJECT NUMBER: ER BRF 0241(39)	DRAWN BY: J. GRIGAS
FILE NAME: sl0c410xsl.dgn	CHECKED BY: J. SALVATORI
PROJECT LEADER: K. HIGGINS	SHEET 33 OF 39
DESIGNED BY: W. LAMMER	
MAINLINE SECTIONS	