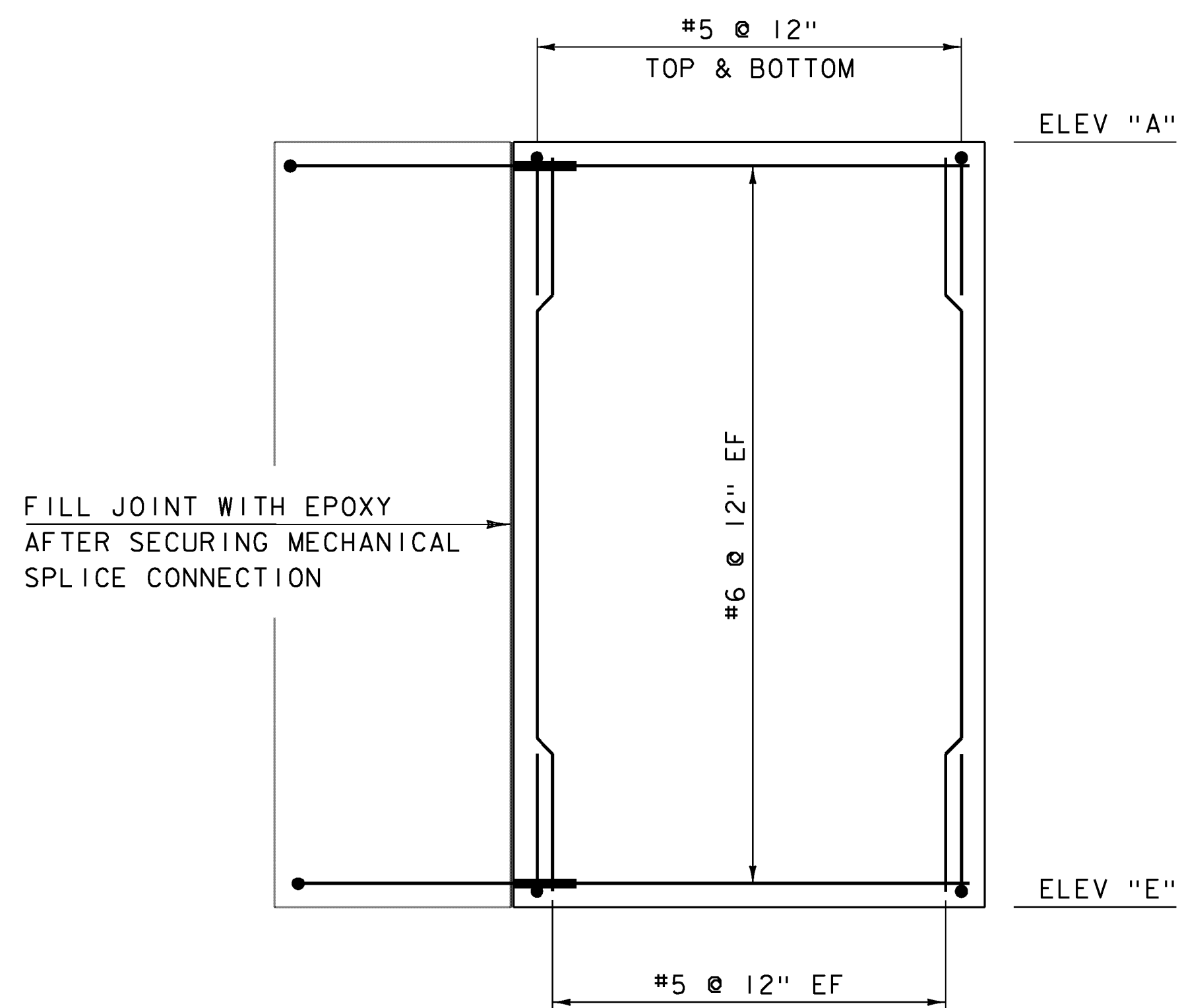
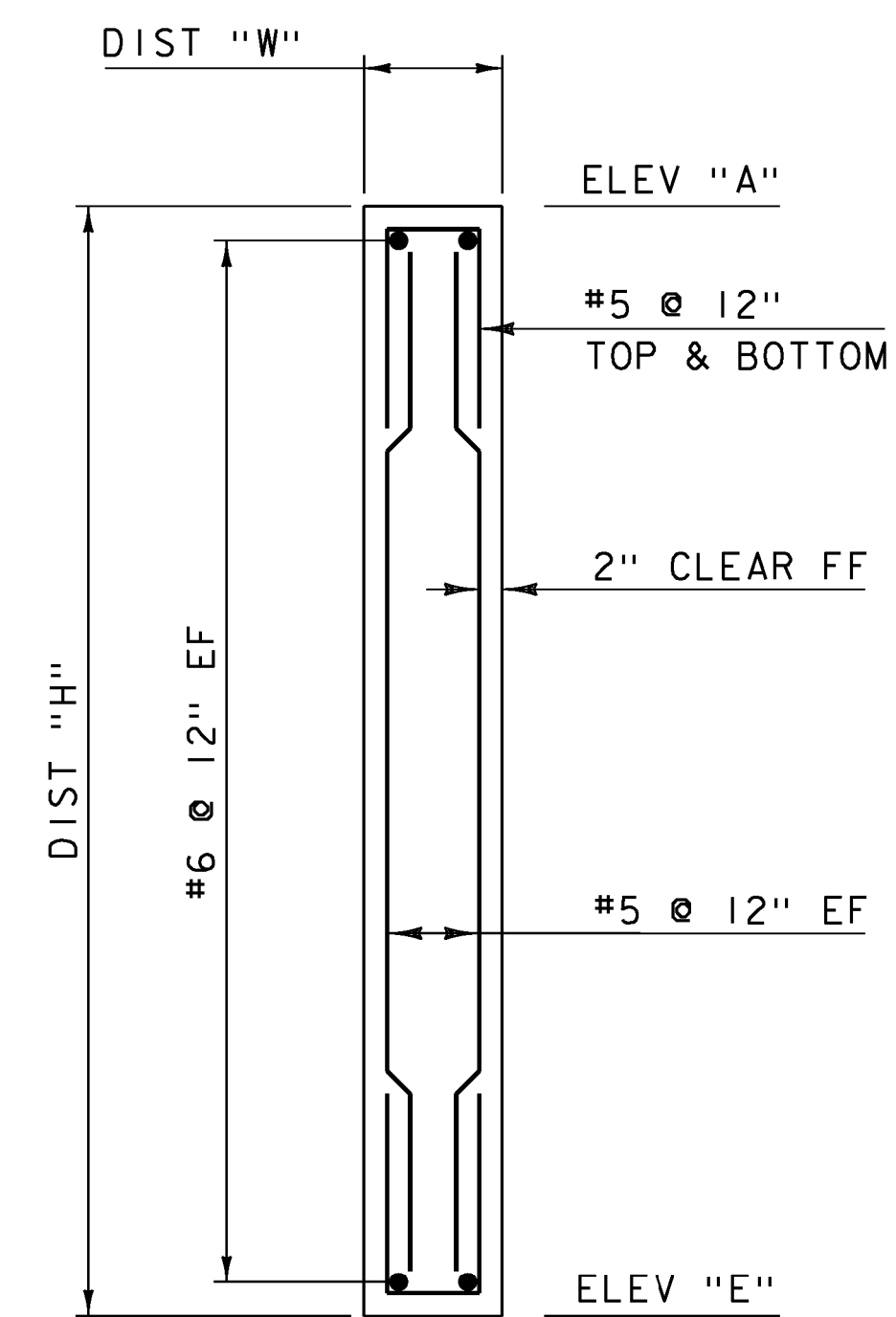


WWI PLAN (PCU 3)
NOT TO SCALE



WWI ELEVATION (PCU 3)
NOT TO SCALE



WWI TYPICAL (PCU 3)
NOT TO SCALE

PCU 3-6 ELEVATIONS

	WW1 (PCU 3)	WW2 (PCU 4)	WW3 (PCU 5)	WW4 (PCU 6)
ELEV "A"	885.35	885.35	885.50	885.50
ELEV "E"	875.85	875.85	876.00	876.00
DIST "H"	9'-6"	9'-6"	9'-6"	9'-6"
DIST "W"	1'-6"	1'-6"	1'-6"	1'-6"
DIST "I"	10'-0"	9'-1 1/2"	9'-1 1/2"	10'-0"
DIST "O"	9'-1 1/2"	10'-0"	10'-0"	9'-1 1/2"
ANGLE "D"	60°	120°	120°	60°

NOTE:

NF = NEAR FACE
 FF = FAR FACE
 EF = EACH FACE
 3" CLEAR, UNLESS OTHERWISE SPECIFIED ON THE PLANS.
 2'-7" BAR LAP UNLESS OTHERWISE SPECIFIED ON THE PLANS.

NOTES:

- EPOXY GROUT SHALL BE INCIDENTAL TO ITEM 540.10, "PRECAST CONCRETE STRUCTURE". ALL REINFORCING STEEL IN WINGWALLS SHALL MEET THE REQUIREMENTS OF SECTION 507.
- ALL REBAR AND MECHANICAL CONNECTORS IN WINGWALLS SHALL BE LEVEL II EPOXY COATED. FOR LEVEL II REINFORCING, ALL MECHANICAL CONNECTORS IN WINGWALLS SHALL MEET THE REQUIREMENTS OF SECTION 507 FOR LEVEL I (EPOXY COATED) REINFORCING. (SPEC. PROV. #81)
- THE BRIDGE PLAQUE FURNISHED BY THE AGENCY SHALL BE CAST INTO WINGWALL 2. ALL WORK TO INSTALL THE PLAQUE SHALL BE INCIDENTAL TO THE PRECAST CONCRETE STRUCTURE ITEM. SEE SD-502.00 FOR FURTHER DETAILS.
- WW1 SHOWN, OTHERS SHALL BE SIMILAR.

PROJECT NAME: BARNARD
 PROJECT NUMBER: ER BRF 024I(39)

FILE NAME: sl0c410sub.dgn PLOT DATE: 29-AUG-2013
 PROJECT LEADER: K. HIGGINS DRAWN BY: J. SALVATORI
 DESIGNED BY: W. LAMMER CHECKED BY: W. LAMMER
 WINGWALL DETAILS SHEET 24 OF 39