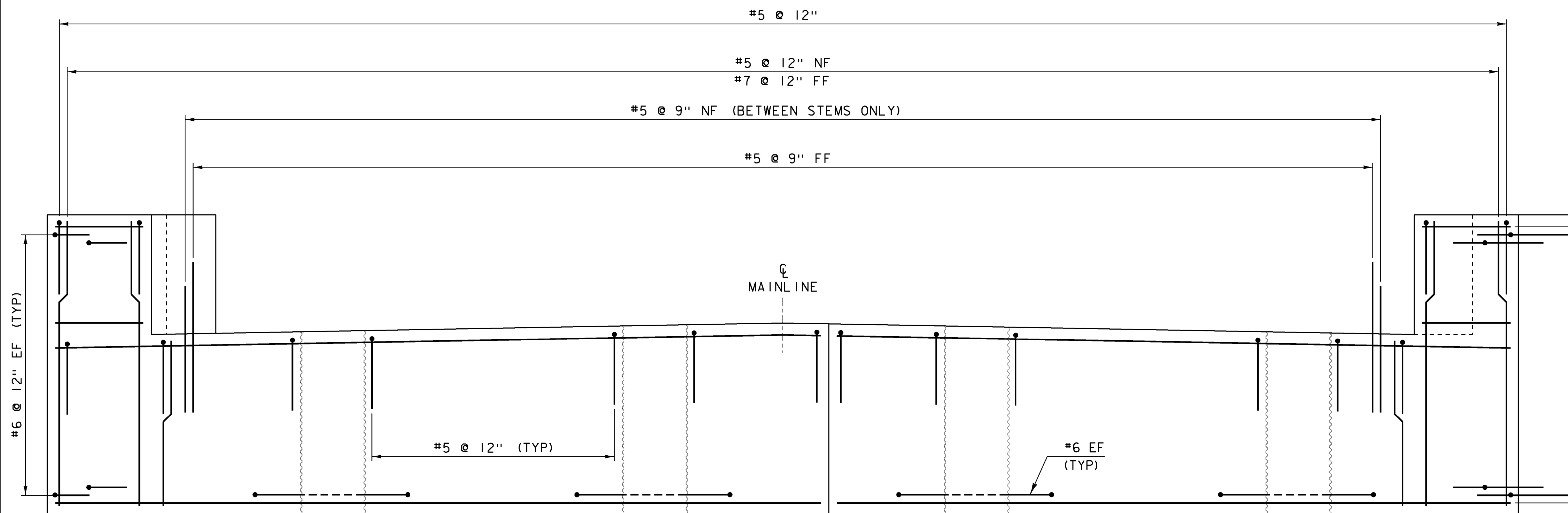


ABUTMENT I REINFORCING PLAN (PCU 1)

SCALE 1/2" = 1'-0



ABUTMENT I REINFORCING ELEVATION (PCU 1)

SCALE 1/2" = 1'-0

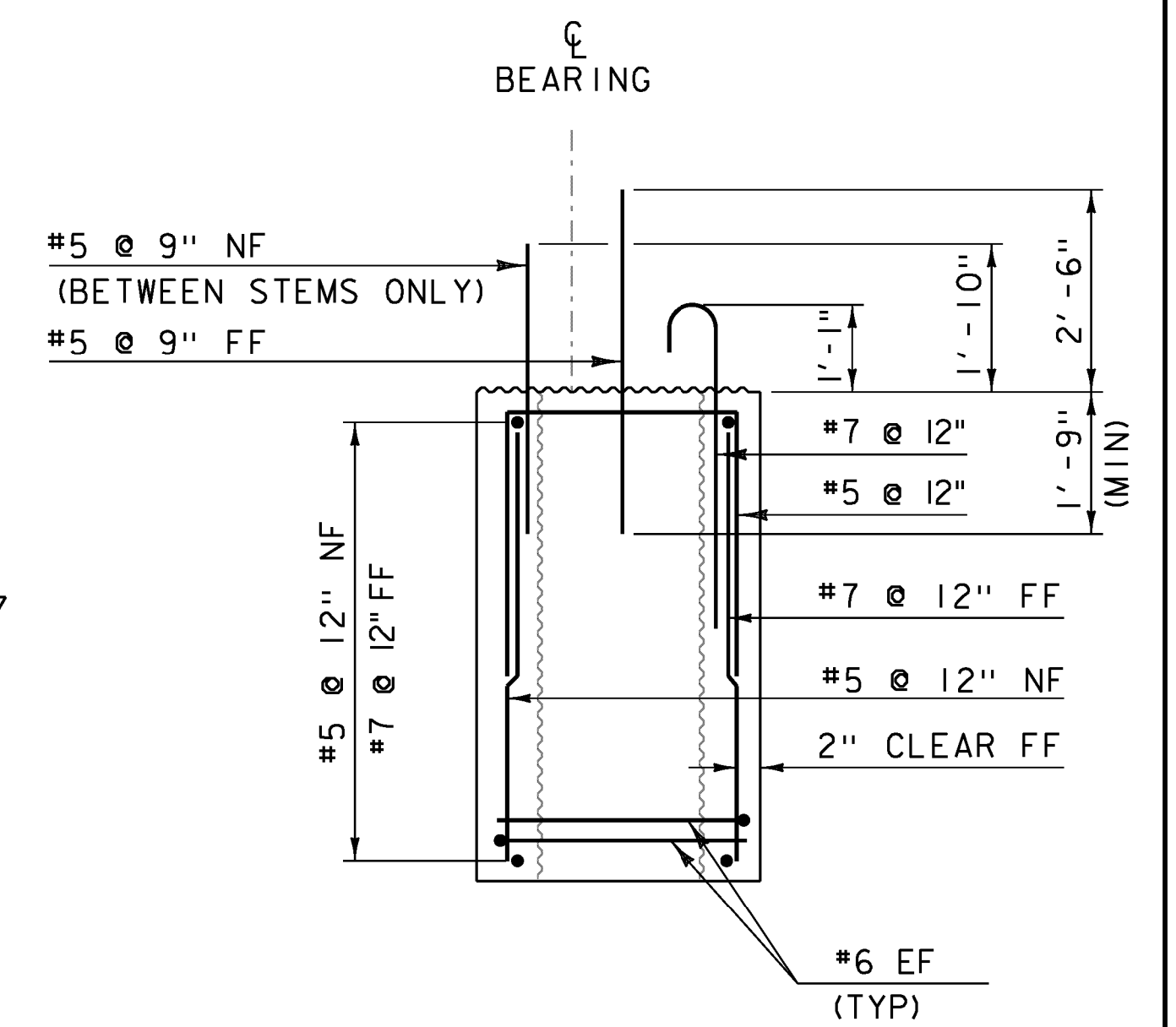
NOTE:

1. REINFORCING STEEL FOR PCU 1 SHOWN, PCU 2 SIMILAR.

1 REVISED 12-9-13

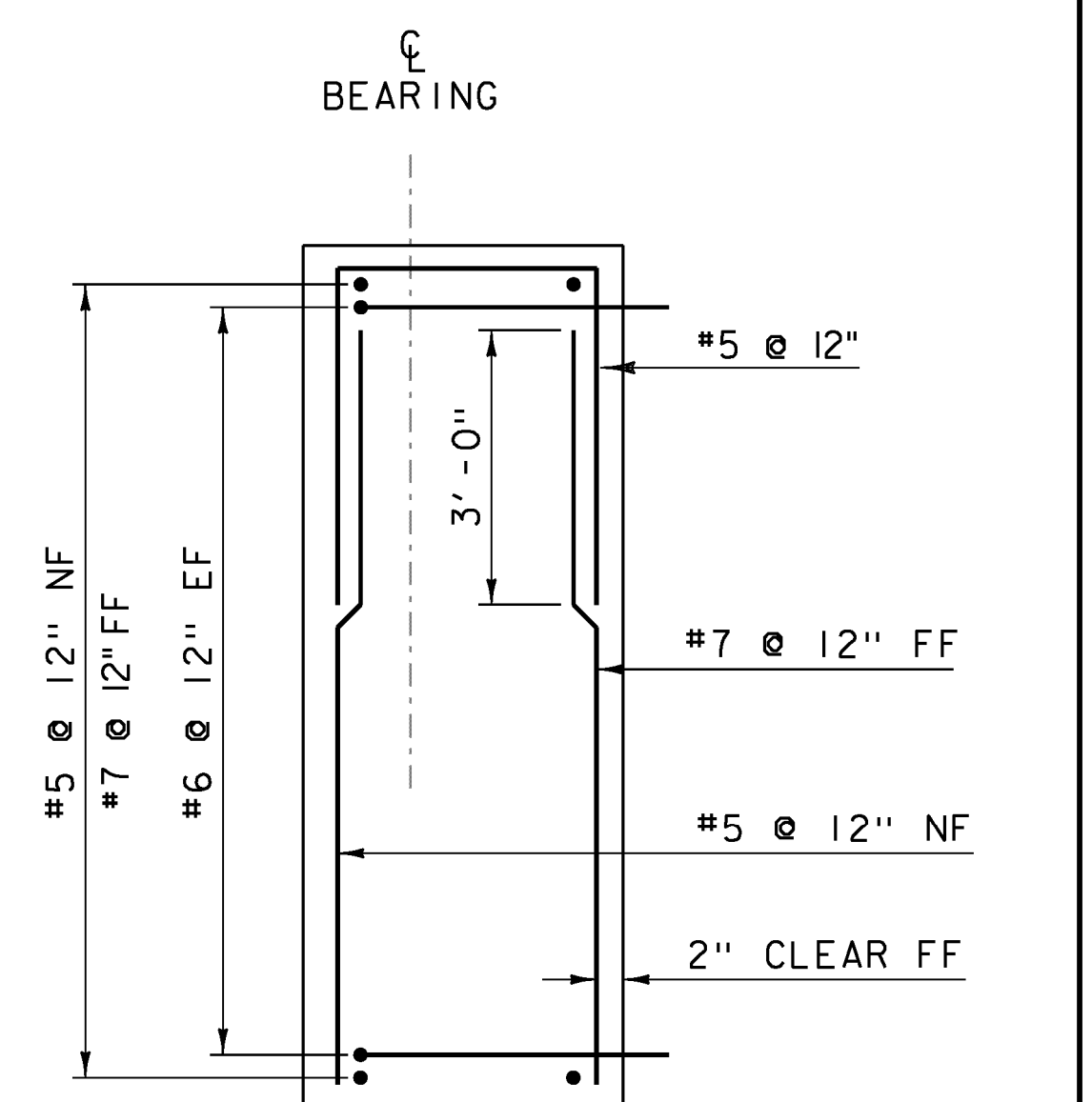
NOTE:

NF = NEAR FACE  
 FF = FAR FACE  
 EF = EACH FACE  
 3" CLEAR, UNLESS OTHERWISE SPECIFIED ON THE PLANS.  
 2'-7" BAR LAP UNLESS OTHERWISE SPECIFIED ON THE PLANS.



SECTION A-A

SCALE 1/2" = 1'-0



SECTION B-B

SCALE 1/2" = 1'-0

PROJECT NAME: BARNARD  
 PROJECT NUMBER: ER BR F 024I(39)

FILE NAME: sl0c410sub.dgn  
 PROJECT LEADER: K. HIGGINS  
 DESIGNED BY: W. LAMMER  
 ABUTMENT I REINFORCING

PLOT DATE: 17-SEP-2013  
 DRAWN BY: J. SALVATORI  
 CHECKED BY: W. LAMMER  
 SHEET 22 OF 39