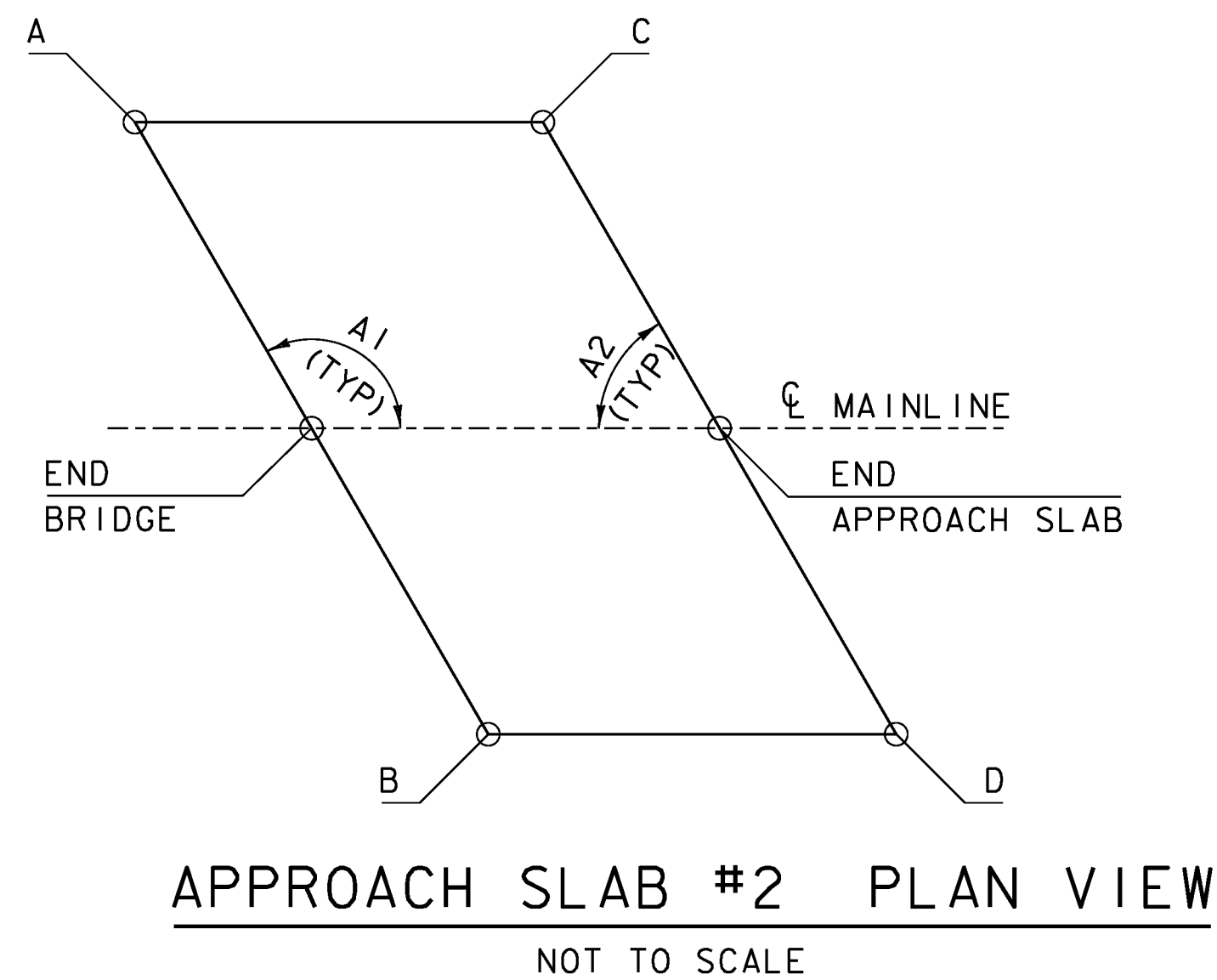
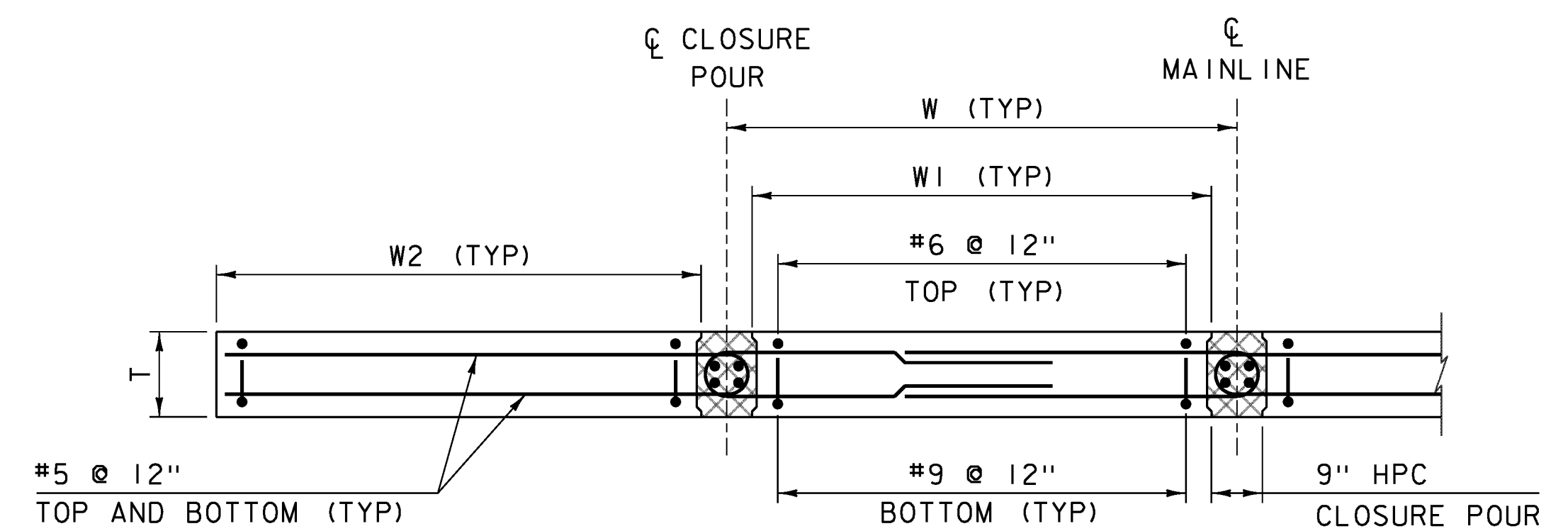


APPROACH SLAB #1 PLAN VIEW
SCALE 1/4" = 1'-0"

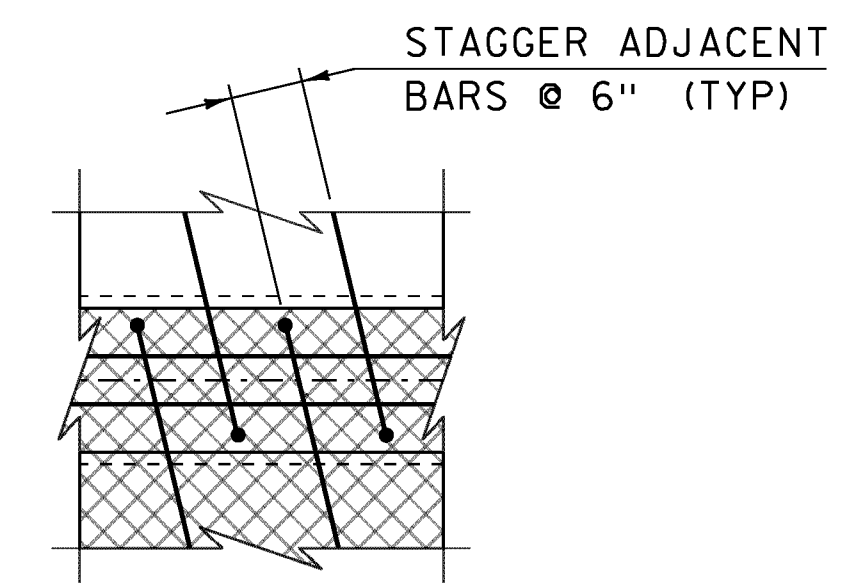
NOTE:
1. FABRICATOR TO DESIGN LIFTING POINTS AND INCLUDE CALCULATIONS WITH SUBMITTAL.



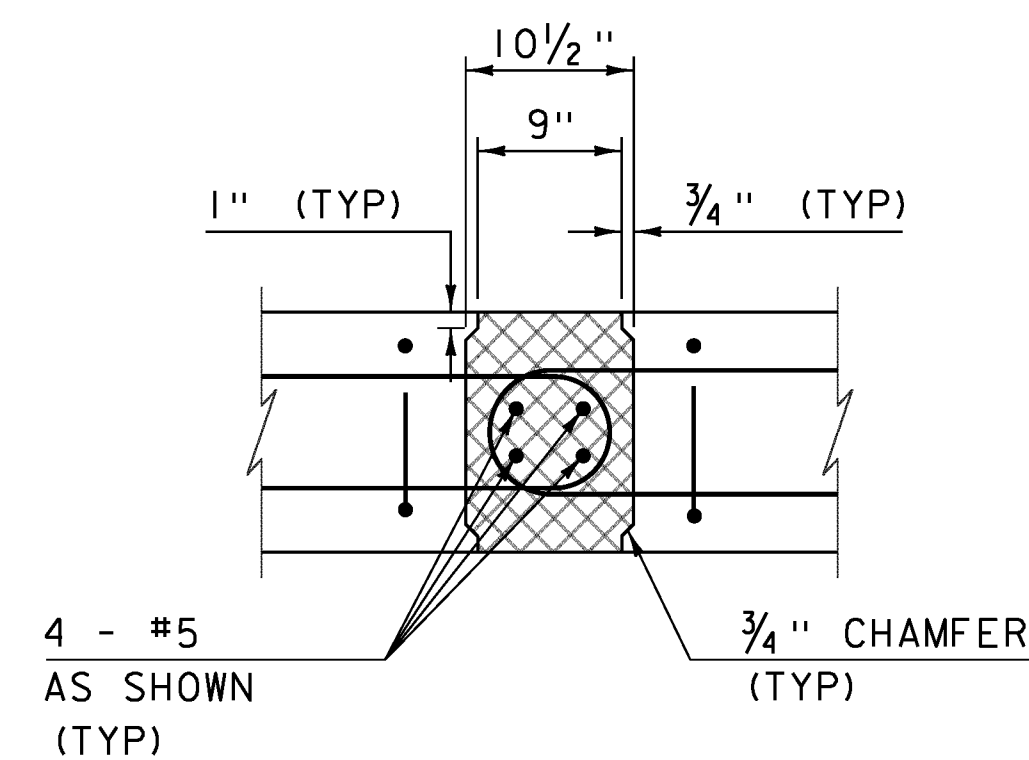
APPROACH SLAB #2 PLAN VIEW
NOT TO SCALE



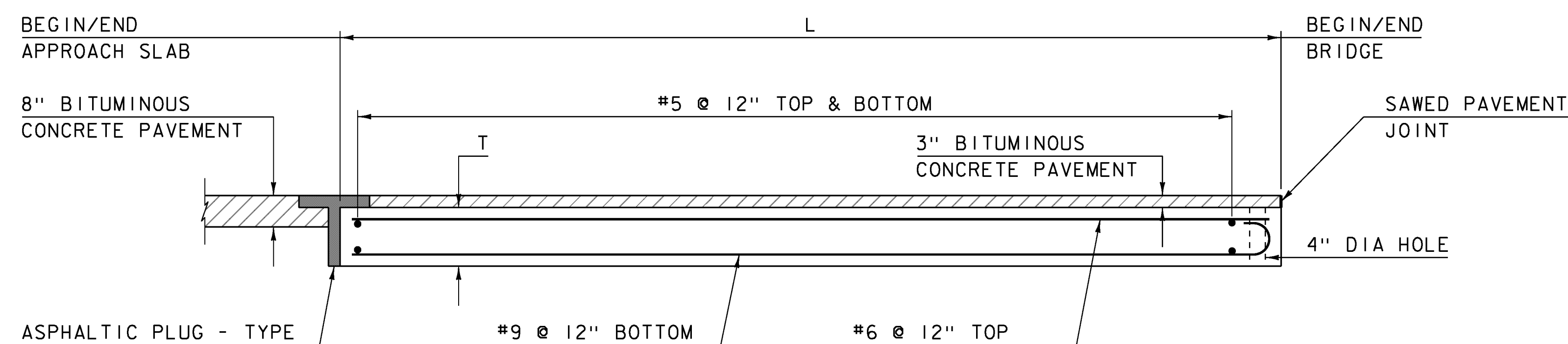
SECTION A-A
SCALE 1/2" = 1'-0"



JOINT DETAIL PLAN
SCALE 1" = 1'-0"



JOINT DETAIL SECTION
SCALE 1" = 1'-0"



APPROACH SLAB ELEVATION VIEW
SCALE 1/2" = 1'-0"

ASPHALTIC PLUG - TYPE JOINT SEE STRUCTURES DETAIL SHEET SD516.10

T	1'-3"	APPROACH SLAB #1	A1	120°
L	20'-0"	APPROACH SLAB #1	A2	60°
W	7'-6"	APPROACH SLAB #2	A1	120°
W1	6'-9"	APPROACH SLAB #2	A2	60°
W2	7'-1 1/2"			

APPROACH SLAB DIMENSIONS

NOTE:
NF = NEAR FACE
FF = FAR FACE
EF = EACH FACE
3" CLEAR, UNLESS OTHERWISE SPECIFIED ON THE PLANS.
2'-7" BAR LAP UNLESS OTHERWISE SPECIFIED ON THE PLANS.

	STATION	OFFSET	ELEVATION
1A	370+19.80	-15.00	884.81
BEGIN AS #1	370+28.46	CL	885.10
1B	370.37.12	15.00	884.78
1C	370+39.80	-15.00	884.78
END AS #1	370+48.46	CL	885.10
1D	370+57.12	15.00	884.81
2A	371+27.89	-15.00	884.93
BEGIN AS #2	371+36.55	CL	885.25
2B	371+45.21	15.00	884.96
2C	371+47.89	-15.00	884.96
END AS #2	371+56.55	CL	885.28
2D	371+65.21	15.00	884.99

APPROACH SLAB ELEVATIONS
ALL ELEVATIONS ARE TOP OF SLAB

PROJECT NAME: BARNARD
PROJECT NUMBER: ER BR F 024(39)
FILE NAME: sl0c410apslab.dgn
PROJECT LEADER: K. HIGGINS
DESIGNED BY: J. SALVATORI
APPROACH SLAB DETAILS
PLOT DATE: 29-AUG-2013
DRAWN BY: J. SALVATORI
CHECKED BY: W. LAMMER
SHEET 20 OF 39