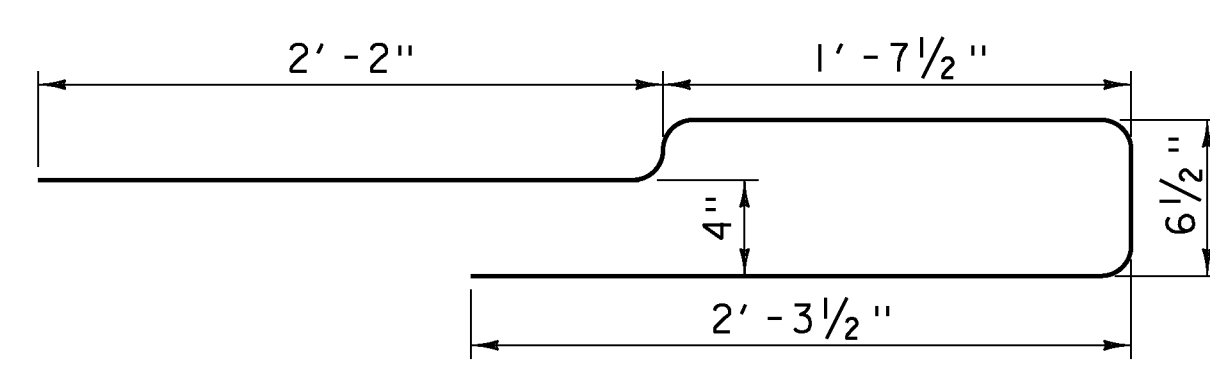
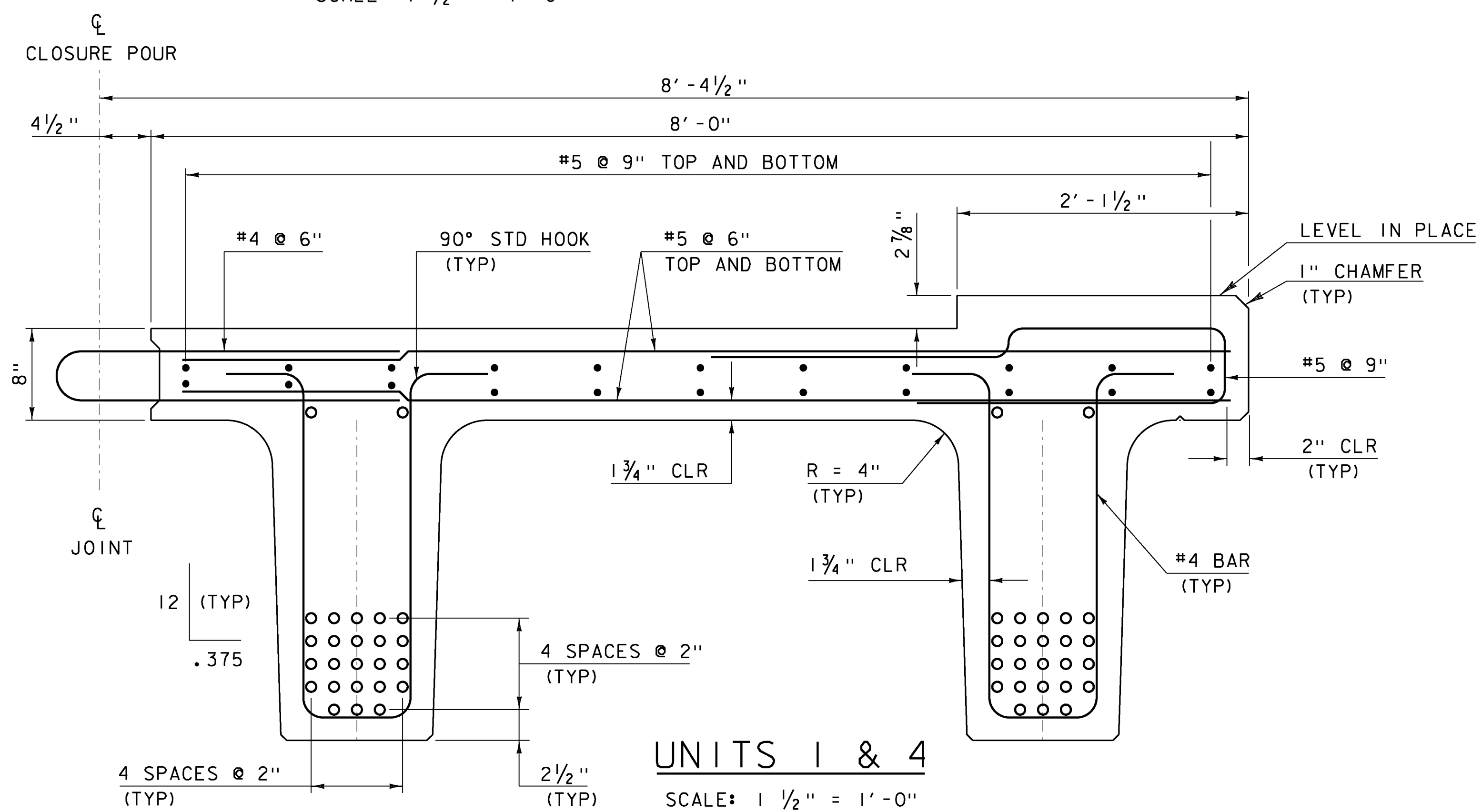


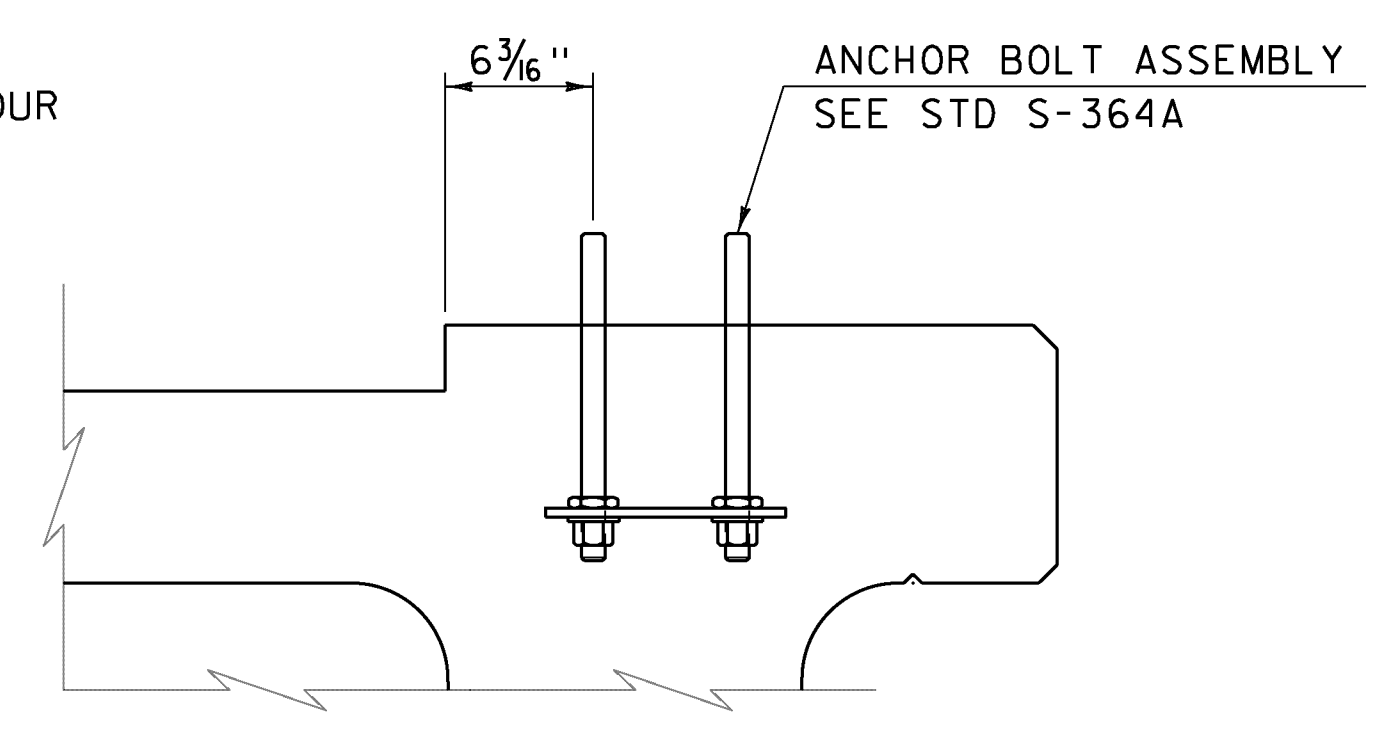
UNITS 2 & 3
SCALE: 1 1/2" = 1'-0"



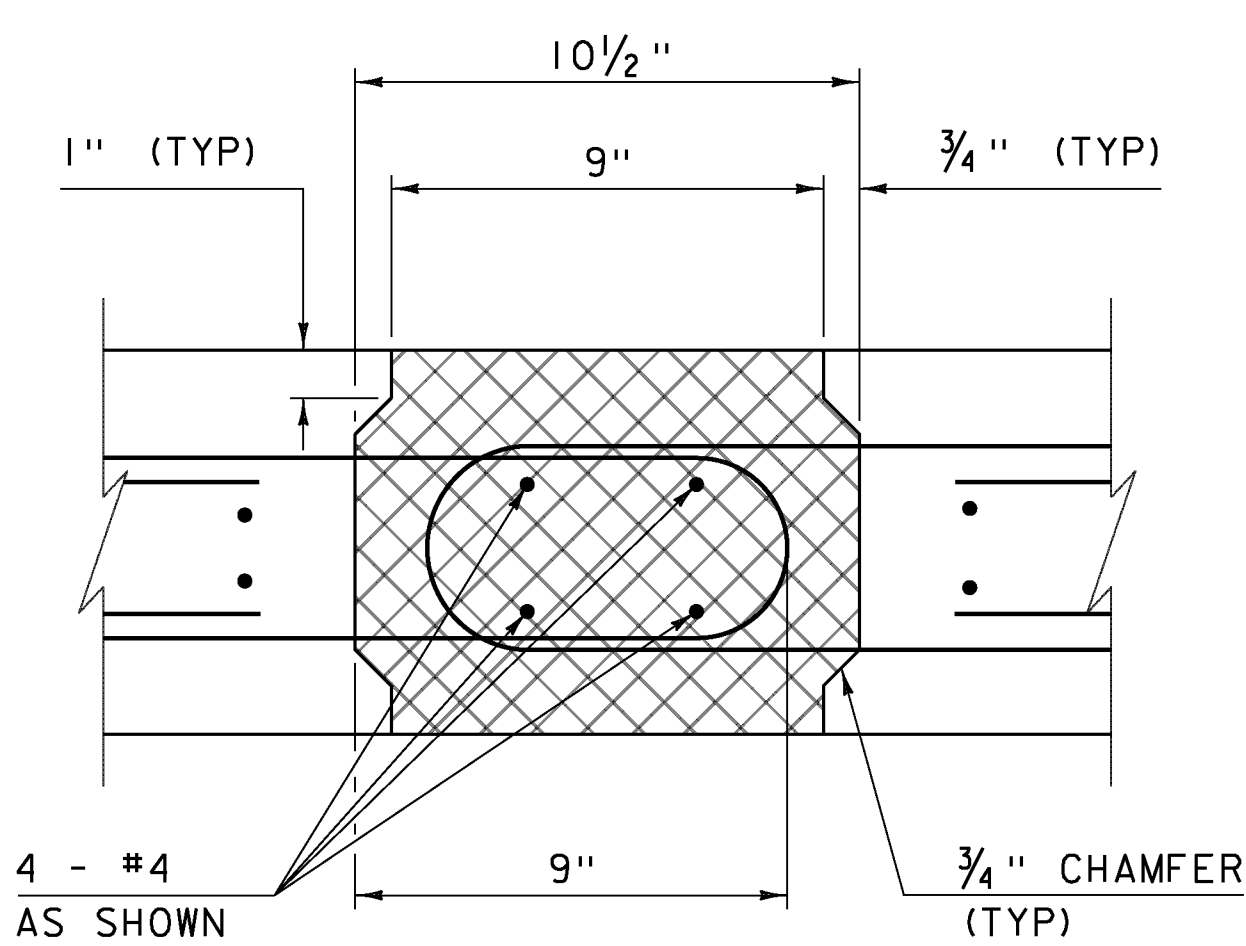
CURB BAR
SCALE: 1 1/2" = 1'-0"



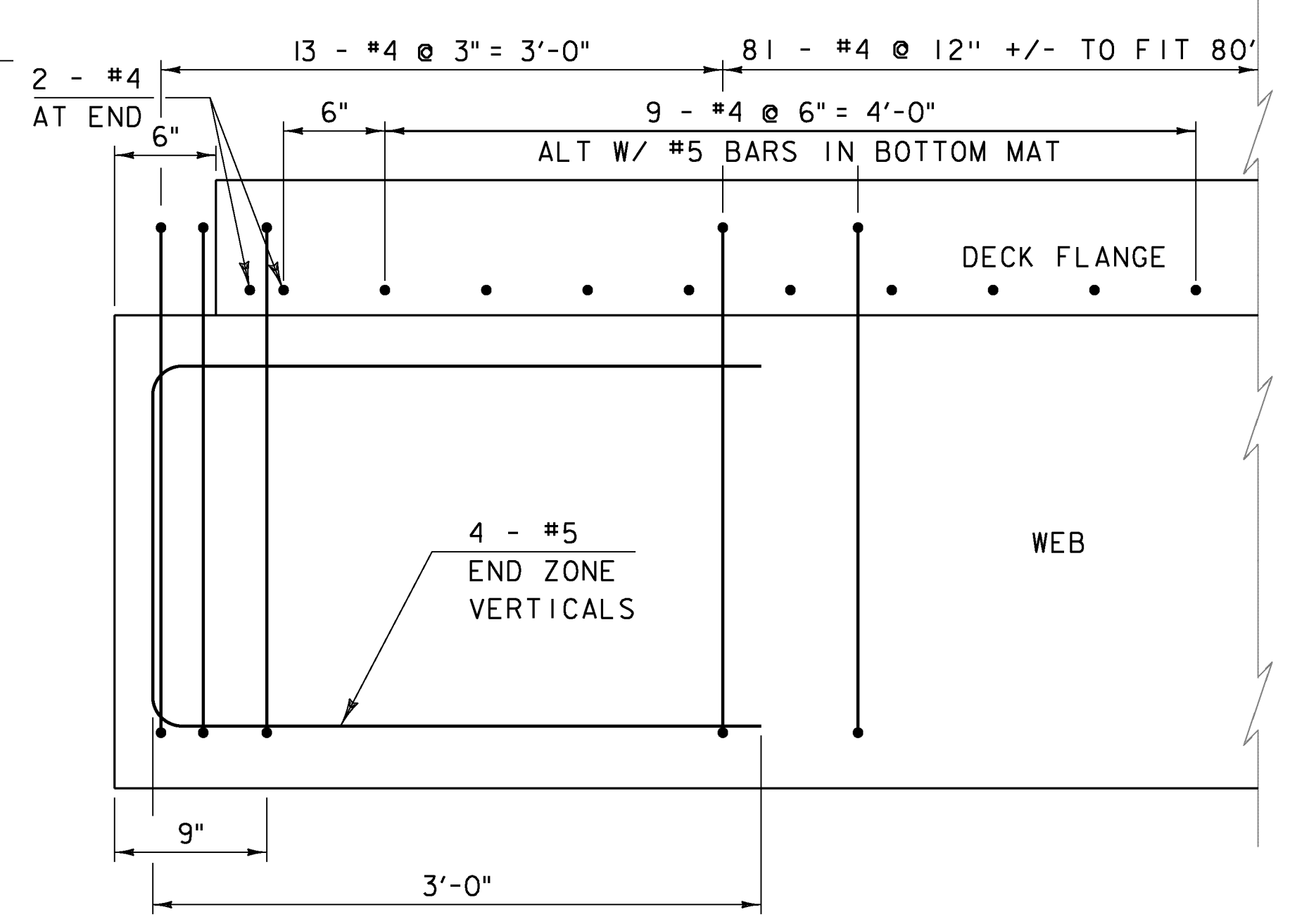
UNITS 1 & 4
SCALE: 1 1/2" = 1'-0"



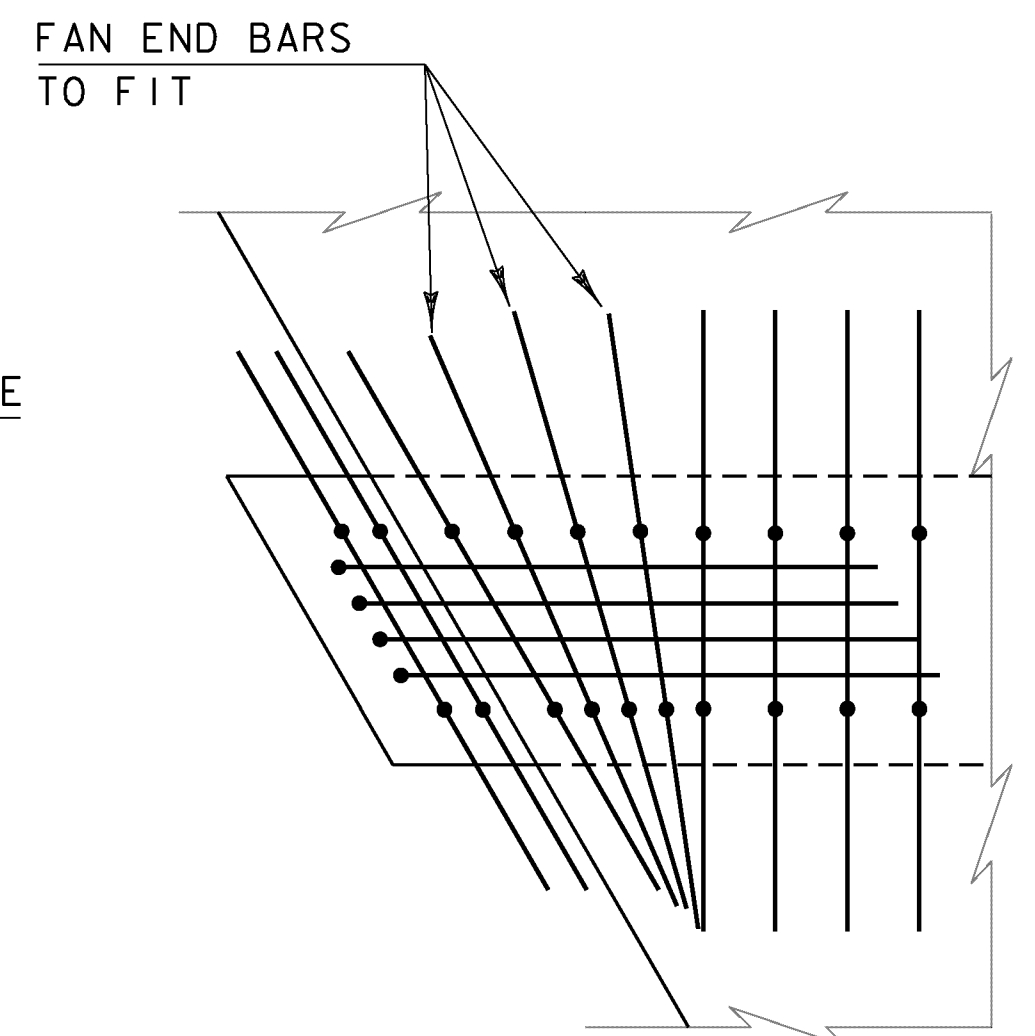
END SECTION
SCALE: 1 1/2" = 1'-0"



CONNECTION DETAIL SECTION
SCALE = 3" = 1'-0"

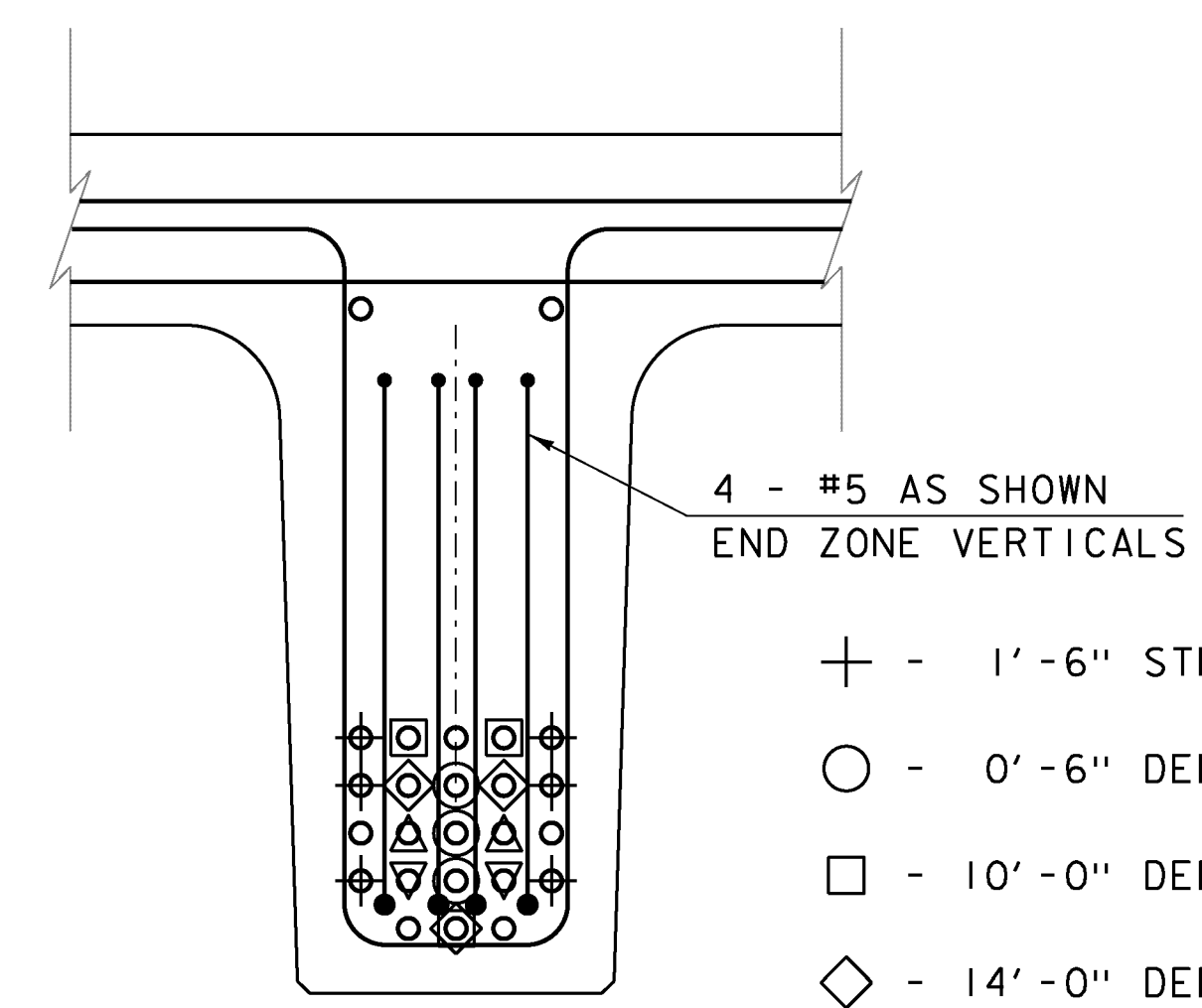


**ADDITIONAL END BEAM REINFORCING
LONGITUDINAL SECTION**
SCALE: 1 1/2" = 1'-0"
•BARS IN DECK FLANGE OMITTED FOR CLARITY



SKEWED END DETAIL
SCALE: 1 1/2" = 1'-0"

- NOTE:
1. BARS IN DECK FLANGE OMITTED FOR CLARITY.
 2. TRANSVERSE REINFORCING IN THE DECK SHALL BE PLACED PARALLEL TO THE SKEW.



BEAM SECTION
SCALE: 1 1/2" = 1'-0"

- + - 1'-6" STRAND CUT LONG
- - 0'-6" DEBOND EACH END
- - 10'-0" DEBOND EACH END
- ◇ - 14'-0" DEBOND EACH END
- △ - 16'-0" DEBOND EACH END
- ▽ - 18'-0" DEBOND EACH END
- ⊗ - 20'-0" DEBOND EACH END

PROJECT NAME: BARNARD	PLOT DATE: 29-AUG-2013
PROJECT NUMBER: ER BRF 0241(39)	DRAWN BY: J. SALVATORI
FILE NAME: sl0c410next.dgn	CHECKED BY: W. LAMMER
PROJECT LEADER: K. HIGGINS	SHEET 18 OF 39
DESIGNED BY: W. LAMMER	
NEXT BEAM TYPICAL SECTIONS	