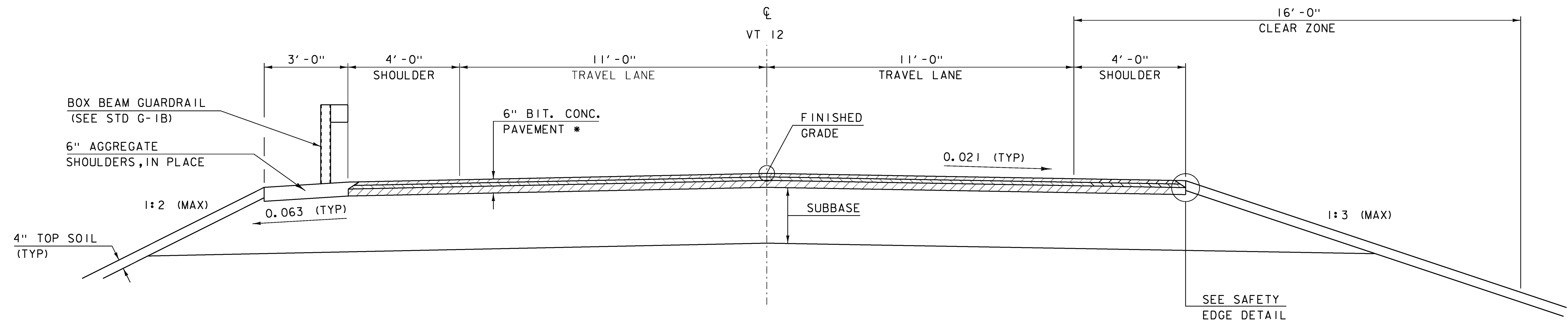


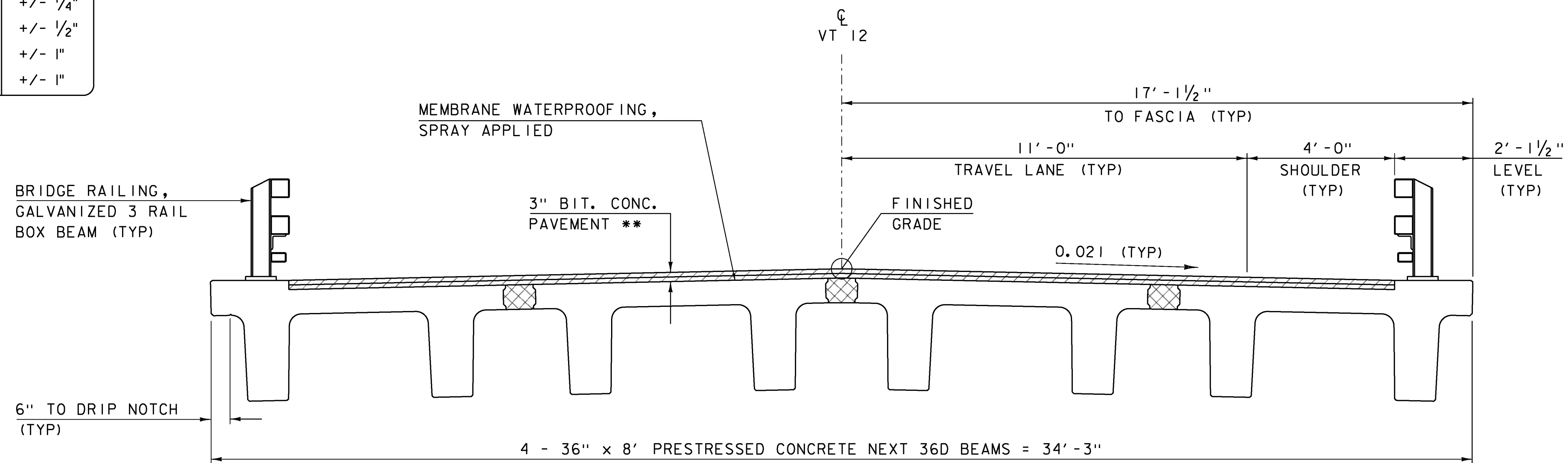
* 1 1/2" SUPERPAVE BITUMINOUS CONCRETE PAVEMENT, TYPE IVS
 1 1/2" SUPERPAVE BITUMINOUS CONCRETE PAVEMENT, TYPE IVS
 3" SUPERPAVE BITUMINOUS CONCRETE PAVEMENT, TYPE IIS
 VARIES SUBBASE OF DENSE GRADED CRUSHED STONE
 SEE MATERIAL TRANSITION ON MAINLINE PROFILE SHEET



ROADWAY TYPICAL SECTION

SCALE 1/2" = 1'-0"

MATERIAL TOLERANCES (IF USED ON PROJECT)	
SURFACE	
- PAVEMENT (TOTAL THICKNESS)	+/- 1/4"
- AGGREGATE SURFACE COURSE	+/- 1/2"
SUBBASE	+/- 1"
SAND BORROW	+/- 1"



BRIDGE TYPICAL SECTION

SCALE 1/2" = 1'-0"

** 1 1/2" SUPERPAVE BITUMINOUS CONCRETE PAVEMENT, TYPE IVS
 1 1/2" SUPERPAVE BITUMINOUS CONCRETE PAVEMENT, TYPE IVS

PROJECT NAME: BARNARD
 PROJECT NUMBER: ER BRF 0241(39)

FILE NAME: I0c410+yp.dgn PLOT DATE: 29-AUG-2013
 PROJECT LEADER: K.HIGGINS DRAWN BY: K. FRIEDLAND
 DESIGNED BY: J. SALVATORI CHECKED BY: W. LAMMER
 TYPICAL SECTIONS I SHEET 7 OF 39