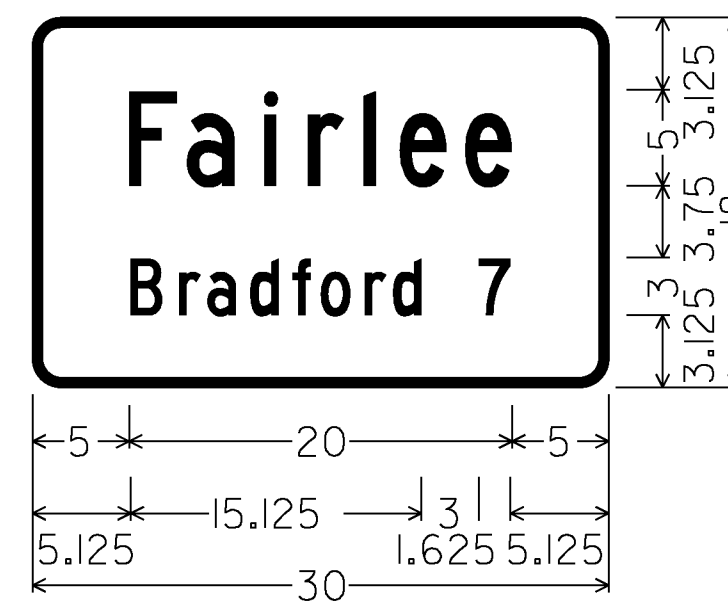


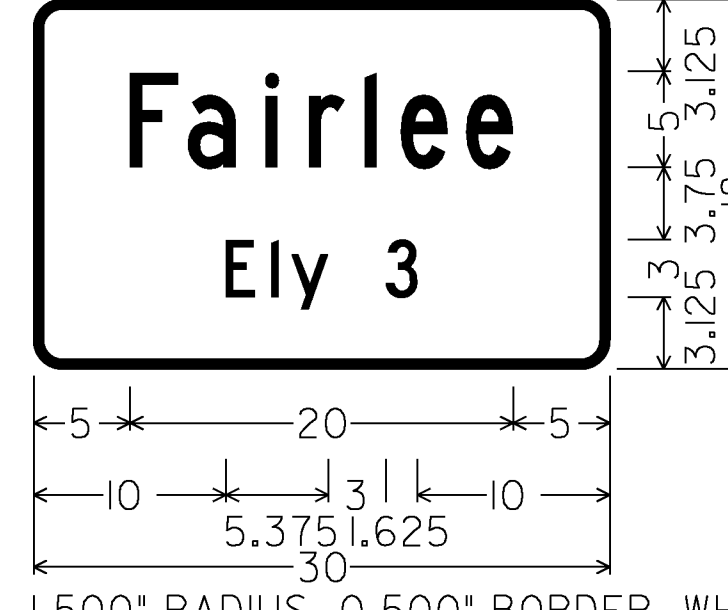
1.500" RADIUS, 0.500" BORDER, WHITE ON GREEN
[Ely] C FONT; [Fairlee 3] C FONT

VD-018



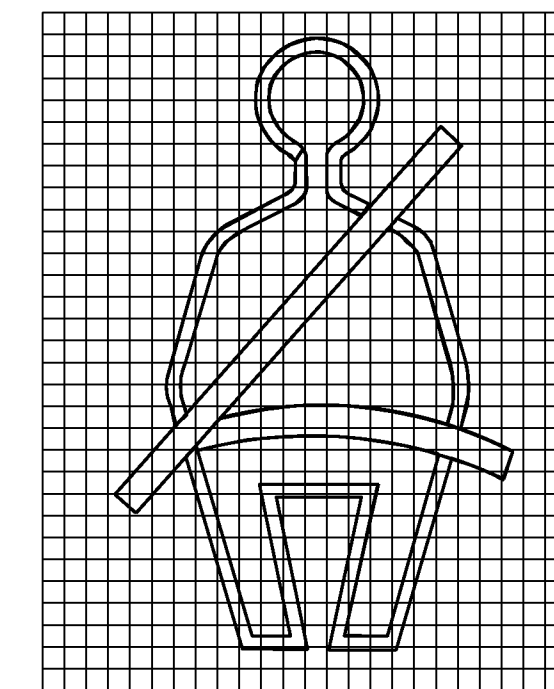
1.500" RADIUS, 0.500" BORDER, WHITE ON GREEN
[Fairlee] C FONT; [Bradford 7] C FONT

VD-018

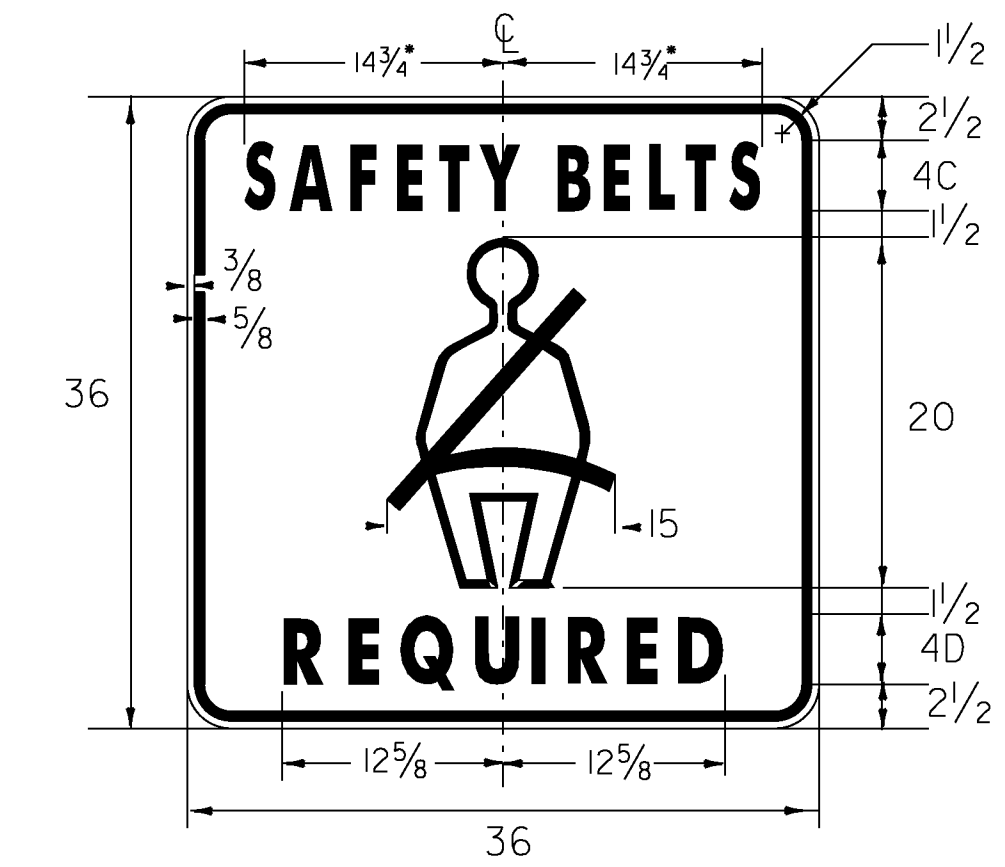


1.500" RADIUS, 0.500" BORDER, WHITE ON GREEN
[Fairlee] C FONT; [Ely 3] C FONT

VD-018

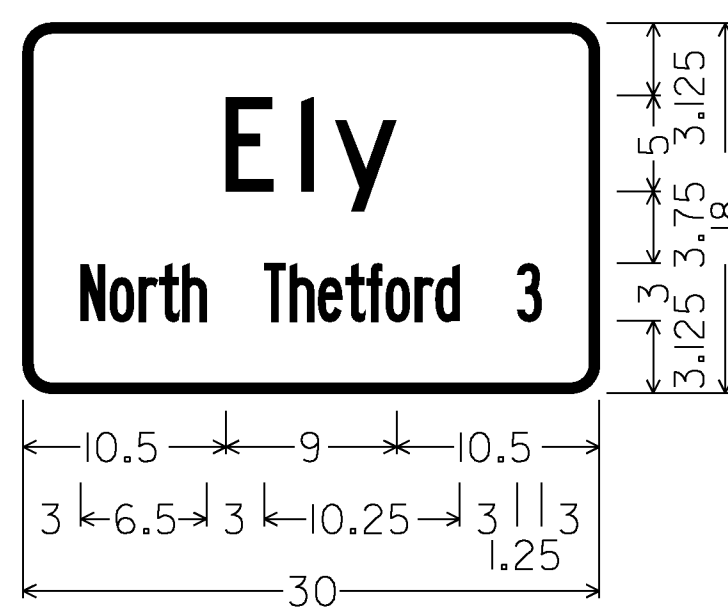


1 SQUARE = 1"



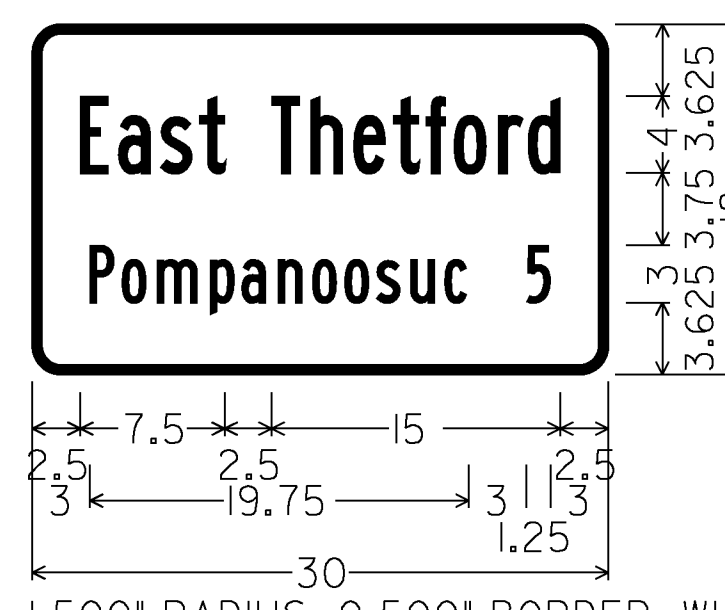
VR-601

•REDUCE SPACING 50%
BLACK ON WHITE



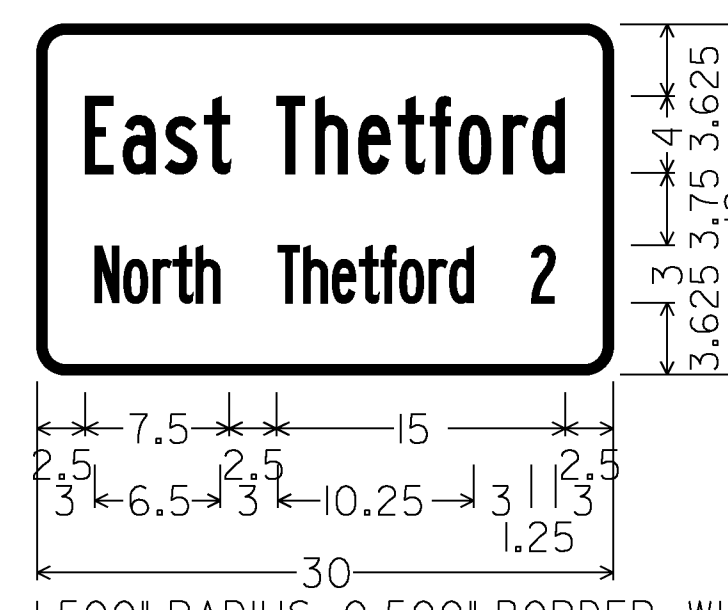
1.500" RADIUS, 0.500" BORDER, WHITE ON GREEN
[Ely] C FONT
[North Thetford 3] B FONT, SPECIFIED LENGTH

VD-018



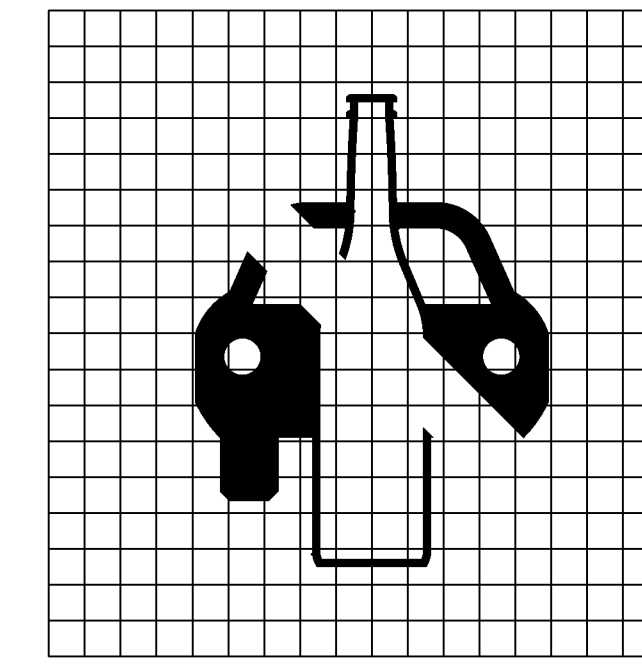
1.500" RADIUS, 0.500" BORDER, WHITE ON GREEN
[East Thetford] B FONT, SPECIFIED LENGTH
[Pompanoosuc 5] B FONT, SPECIFIED LENGTH

VD-018

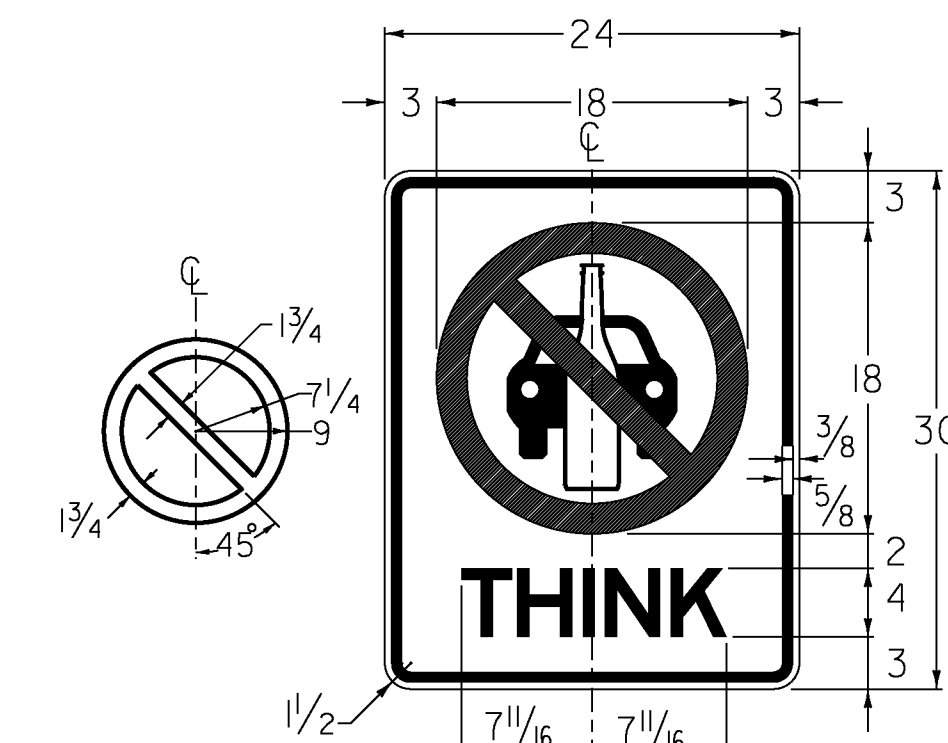


1.500" RADIUS, 0.500" BORDER, WHITE ON GREEN
[East Thetford] B FONT, SPECIFIED LENGTH
[North Thetford 2] B FONT, SPECIFIED LENGTH

VD-018

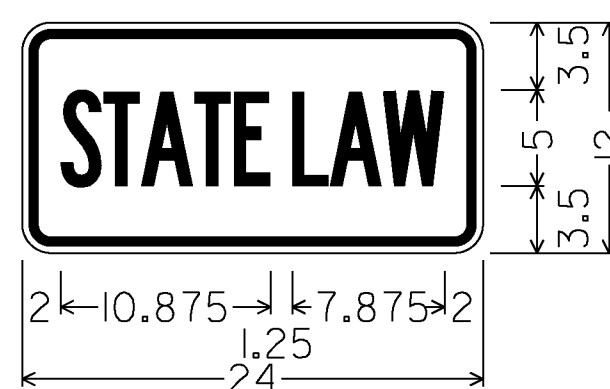


1 SQUARE = 1"



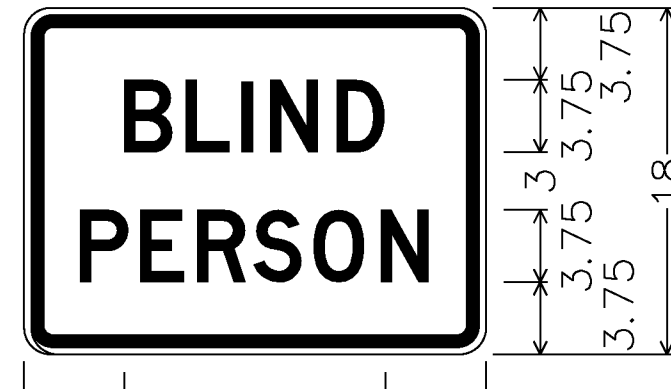
VR-072

TEXT - E FONT - BLACK (NON-REFL.)
CAR & BOTTLE SYMBOL - BLACK (NON-REFL.)
PROHIBITED SYMBOL - RED (NON-REFL.)
BACKGROUND - WHITE (REFL.)



1.500" RADIUS, 0.500" BORDER, 0.375" INDENT
BLACK ON FLUORESCENT YELLOW;
[STATE LAW] B FONT, SPECIFIED LENGTH

W16-18P



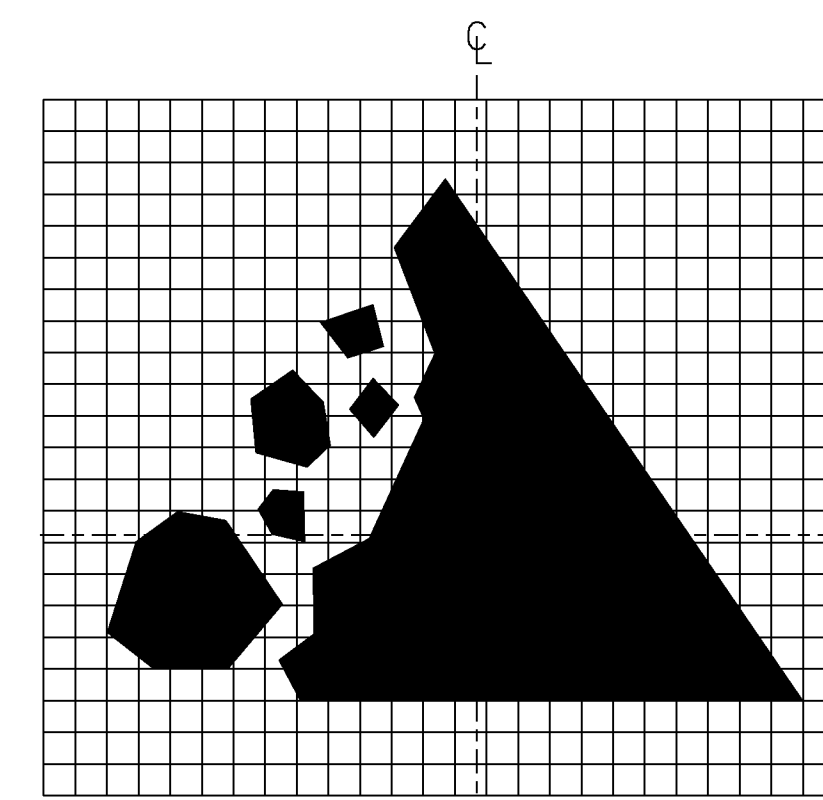
1.500" RADIUS, 0.625" BORDER, 0.375" INDENT,
BLACK ON FLUORESCENT YELLOW-GREEN;
[BLIND] D FONT;
[PERSON] D FONT;

VW-207P

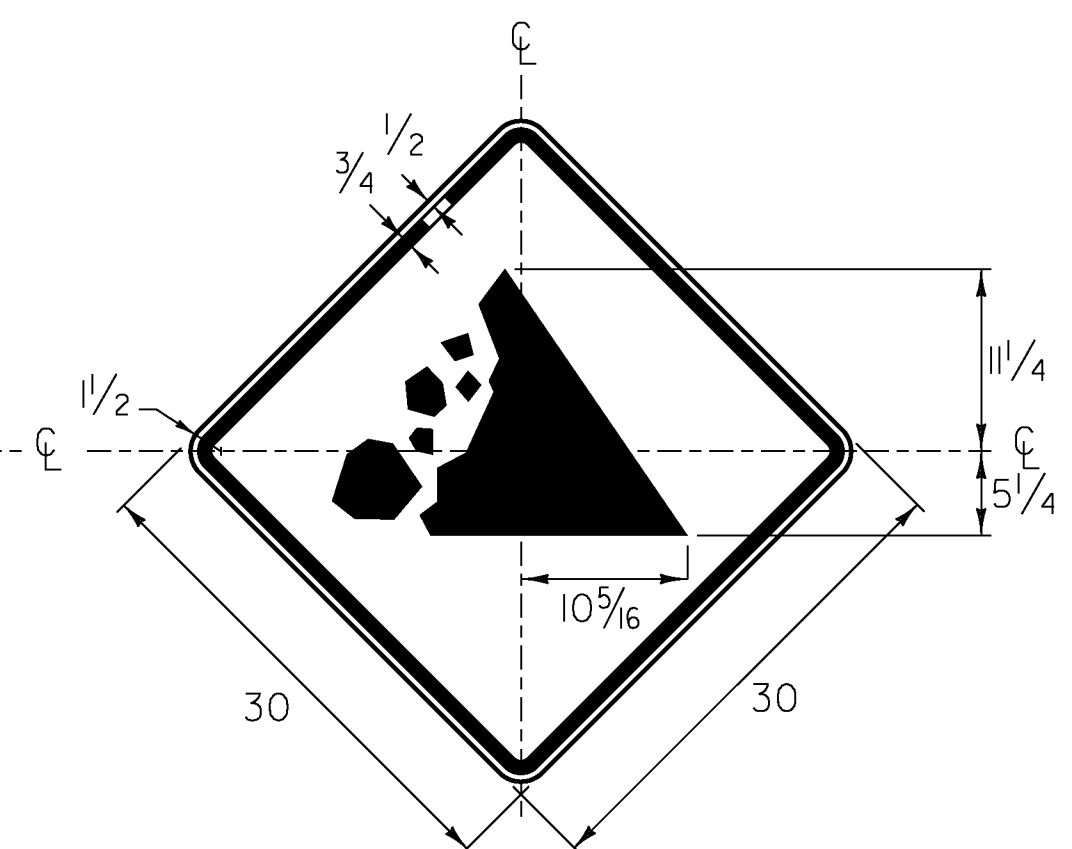


1.500" RADIUS, 0.625" BORDER, 0.375" INDENT,
BLACK ON WHITE;
[NO] C FONT; [PASSING] C FONT;
[ON] C FONT; [RIGHT] C FONT;

VR-183



1 SQUARE = 1"



VW-285

SYMBOL AND BORDER - BLACK (NON-REFL.)
BACKGROUND - YELLOW (REFL.)

ALL DIMENSIONS SHOWN IN INCHES, EXCEPT WHERE NOTED.

PROJECT NAME: NORWICH - FAIRLEE	
PROJECT NUMBER: STPG SIGN (34)	
FILE NAME: IOC334.SD2	PLOT DATE: 04-MAY-2011
PROJECT LEADER: A. GAMBLE	DRAWN BY: D.CROSSLEY
DESIGNED BY: D.CROSSLEY	CHECKED BY: A. GAMBLE
SIGN DETAILS 2	SHEET 5 OF 65