

CONSTRUCTION SPECIFICATIONS

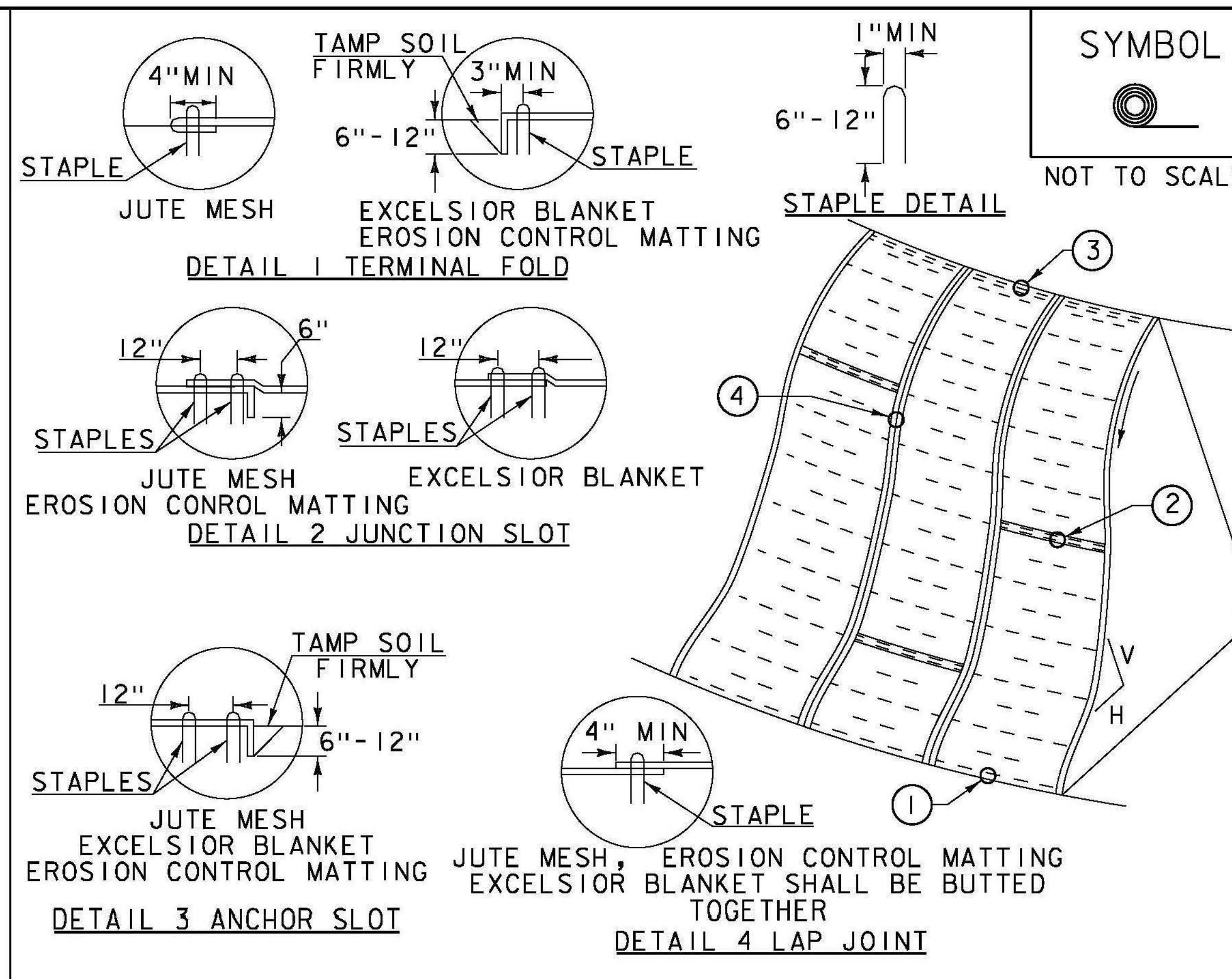
1. EROSION MATTING, CHECK SLOTS, SHALL BE SPACED IN DITCH CHANNEL SO THAT ONE OCCURS WITHIN EACH 50' ON SLOPES OF MORE THAN 4% AND LESS THAN 6%. ON SLOPES OF 6% OR MORE, THEY SHALL BE SPACED SO THAT ONE OCCURS WITHIN EACH 25'.
2. APPLY FERTILIZER, LIME SEED PRIOR TO PLACING MATTING.
3. STAPLES ARE TO BE PLACED ALTERNATELY, IN COLUMNS APPROXIMATELY 2' APART AND IN ROWS APPROXIMATELY 3' APART. APPROXIMATELY 175 STAPLES ARE REQUIRED PER 4' X 225' ROLL OF MATERIAL AND 125 STAPLES ARE REQUIRED PER 4' X 150' ROLL OF MATERIAL.
4. DISTURBED AREAS SHALL BE SMOOTHLY GRADED. EROSION CONTROL MATERIAL SHALL BE PLACED LOOSELY OVER GROUND SURFACE. DO NOT STRETCH.
5. ALL TERMINAL ENDS AND TRANSVERSE LAPS SHALL BE STAPLED AT APPROXIMATELY 12" INTERVALS.

ADAPTED FROM DETAILS PROVIDED BY: NEW YORK STATE DEC
ORIGINALLY DEVELOPED BY USDA-NRCS
VERMONT DEPARTMENT OF ENVIRONMENTAL CONSERVATION

**ROLLED EROSION
CONTROL PRODUCT
(RECP) DITCH**

NOTES:
REFER TO "THE VERMONT STANDARDS & SPECIFICATIONS FOR
EROSION PREVENTION & SEDIMENT CONTROL -2006- "FROM
THE VT AGENCY OF NATURAL RESOURCES FOR ADDITIONAL
GUIDANCE.
THIS WORK SHALL BE PERFORMED IN ACCORDANCE WITH SECTION
653 AND AS SHOWN IN THE PLANS FOR TEMPORARY EROSION
MATTING (PAY ITEM 653.20).

REVISIONS		
MARCH 8, 2007	JMF	
APRIL 16, 2007	WHF	
JANUARY 13, 2009	WHF	



CONSTRUCTION SPECIFICATIONS

1. APPLY TO SLOPES GREATER THAN 3H:1V OR WHERE NECESSARY TO AID IN ESTABLISHING VEGETATION.
2. APPLY FERTILIZER, LIME SEED PRIOR TO PLACING MATTING.
3. STAPLES ARE TO BE PLACED ALTERNATELY, IN COLUMNS APPROXIMATELY 2' APART AND IN ROWS APPROXIMATELY 3' APART. APPROXIMATELY 175 STAPLES ARE REQUIRED PER 4' X 225' ROLL OF MATERIAL AND 125 STAPLES ARE REQUIRED PER 4' X 150' ROLL OF MATERIAL.
4. DISTURBED AREAS SHALL BE SMOOTHLY GRADED. EROSION CONTROL MATERIAL SHALL BE PLACED LOOSELY OVER GROUND SURFACE. DO NOT STRETCH.
5. ALL TERMINAL ENDS AND TRANSVERSE LAPS SHALL BE STAPLED AT APPROXIMATELY 12" INTERVALS.

ADAPTED FROM DETAILS PROVIDED BY: NEW YORK STATE DEC
ORIGINALLY DEVELOPED BY USDA-NRCS
VERMONT DEPARTMENT OF ENVIRONMENTAL CONSERVATION

**ROLLED EROSION
CONTROL PRODUCT
(RECP) SIDE SLOPE**

NOTES:
REFER TO "THE VERMONT STANDARDS & SPECIFICATIONS FOR
EROSION PREVENTION & SEDIMENT CONTROL -2006- "FROM
THE VT AGENCY OF NATURAL RESOURCES FOR ADDITIONAL
GUIDANCE.
THIS WORK SHALL BE PERFORMED IN ACCORDANCE WITH SECTION
653 AND AS SHOWN IN THE PLANS FOR TEMPORARY EROSION
MATTING (PAY ITEM 653.20).

REVISIONS		
APRIL 16, 2007	JMF	
JANUARY 13, 2009	WHF	

PROJECT NAME: RANDOLPH
PROJECT NUMBER: STP 2932(I)

FILE NAME: z10c270.dgn
PROJECT LEADER: C. LATHROP
DESIGNED BY: B. BRESLEND
MISCELLANEOUS DETAILS SHEET 2

PLOT DATE: 6/5/2014
DRAWN BY: J. GOODALL
CHECKED BY: C. LATHROP
SHEET 275 OF 276

DETAILS ARE NOT TO SCALE