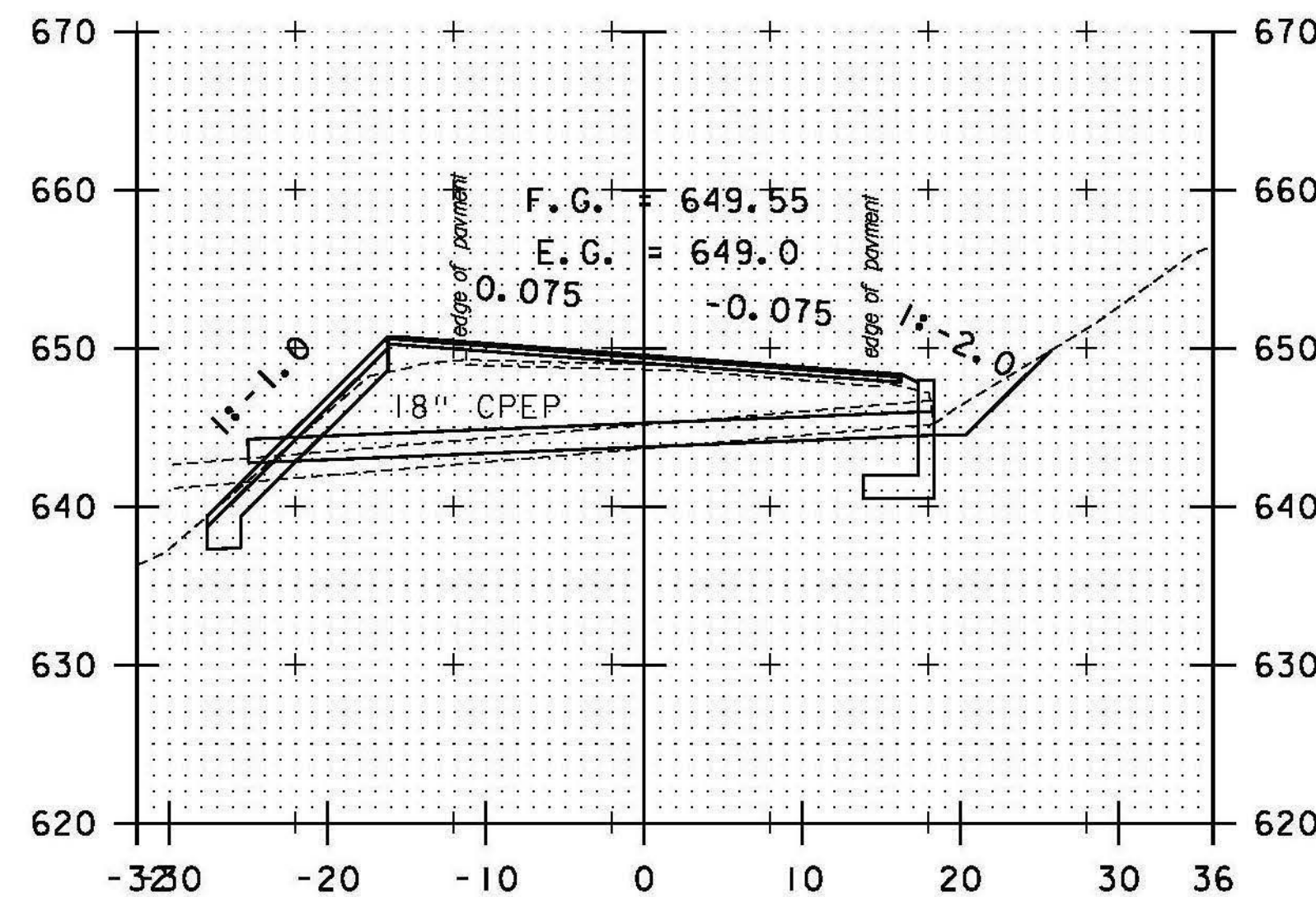
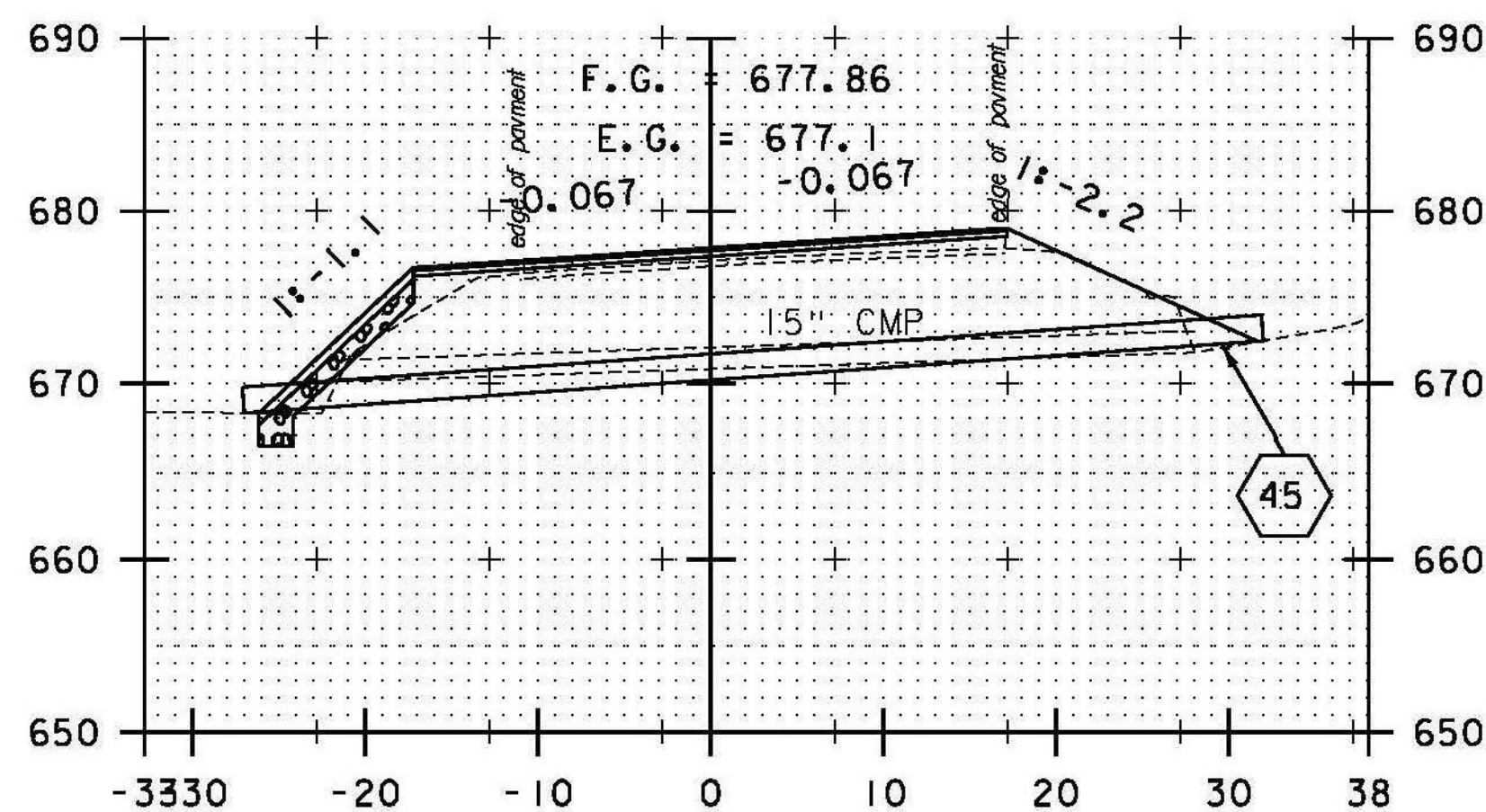


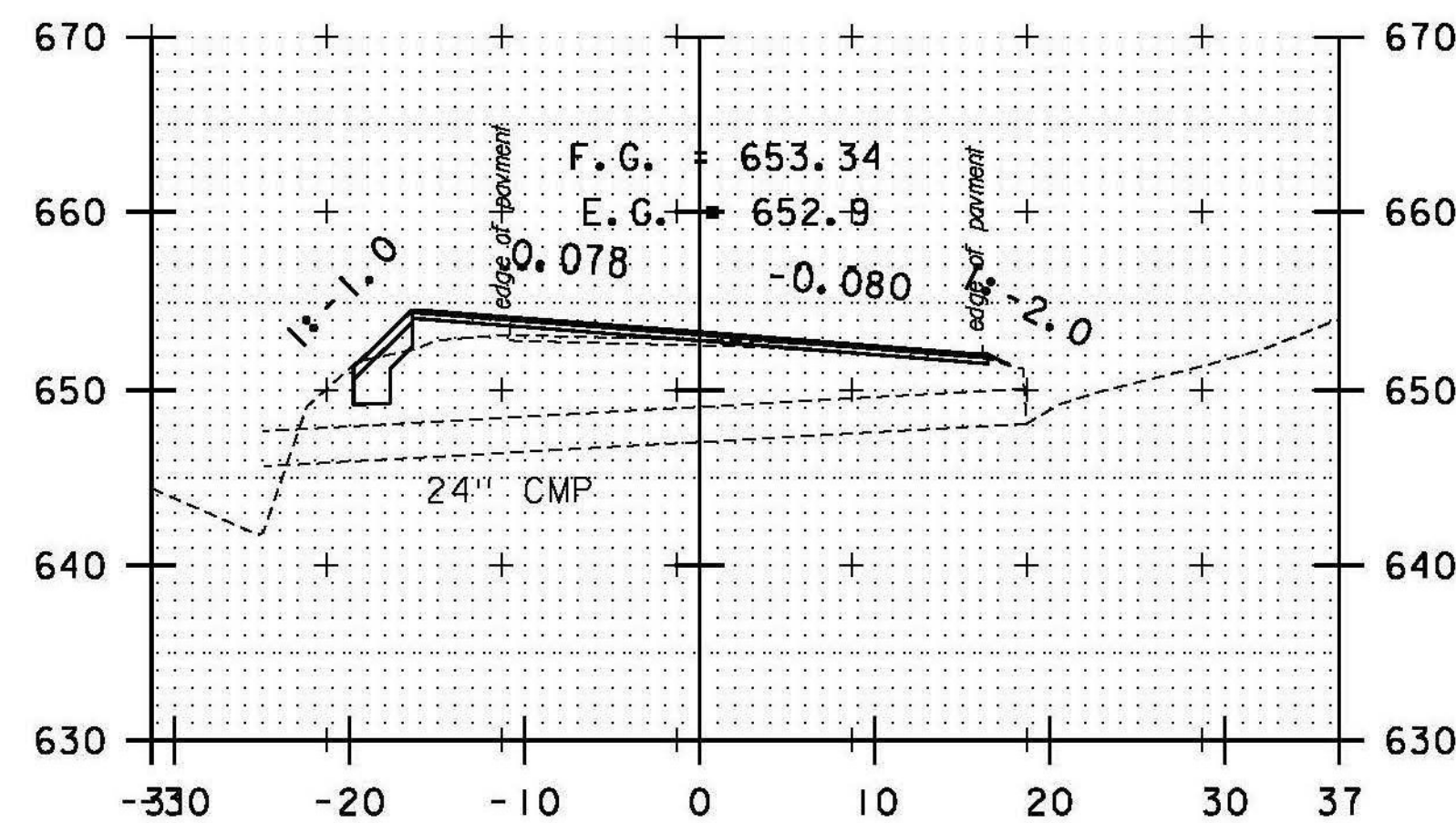
SKEWED  
371+78



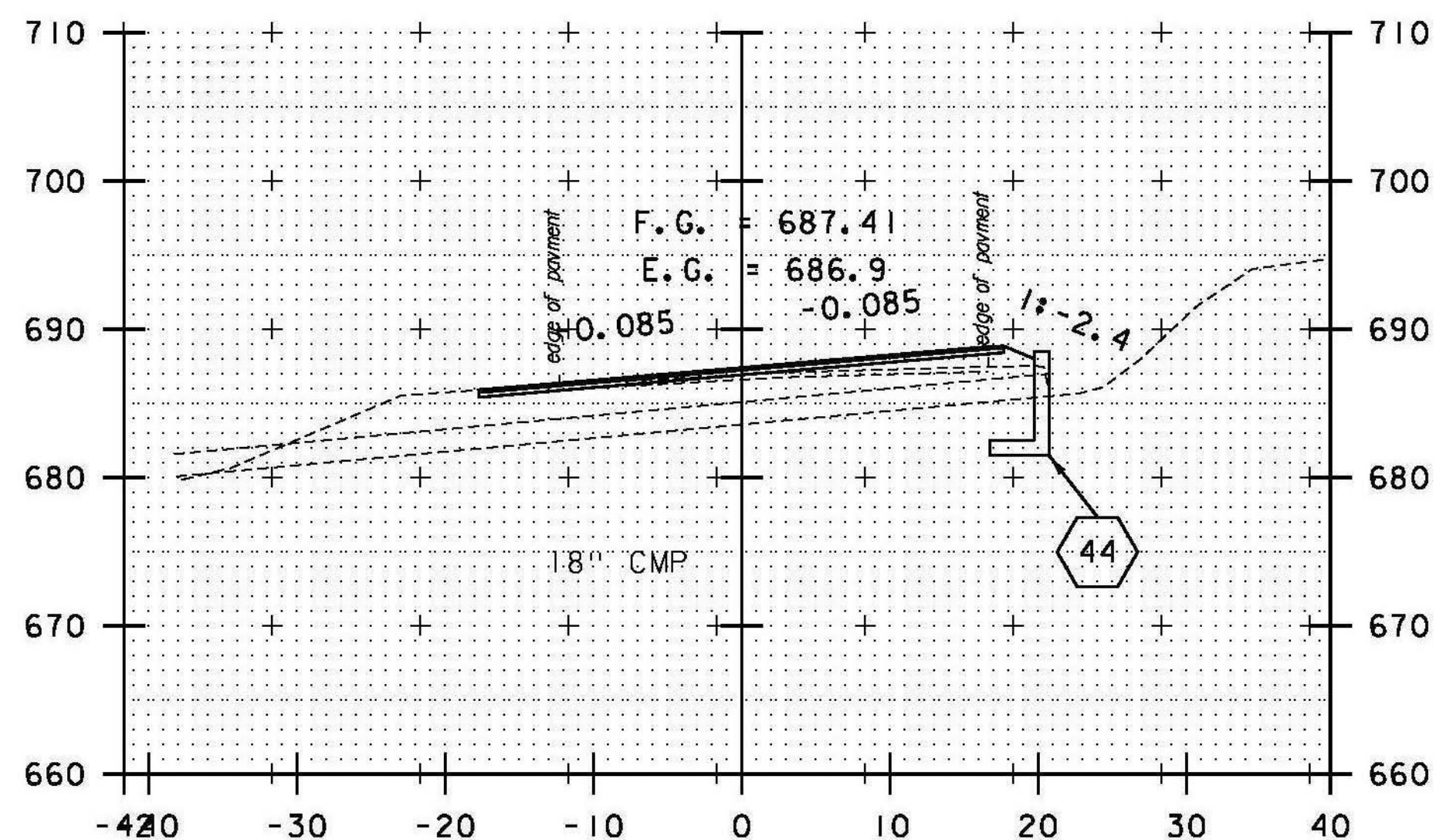
SKEWED  
378+81



SKEWED  
370+76

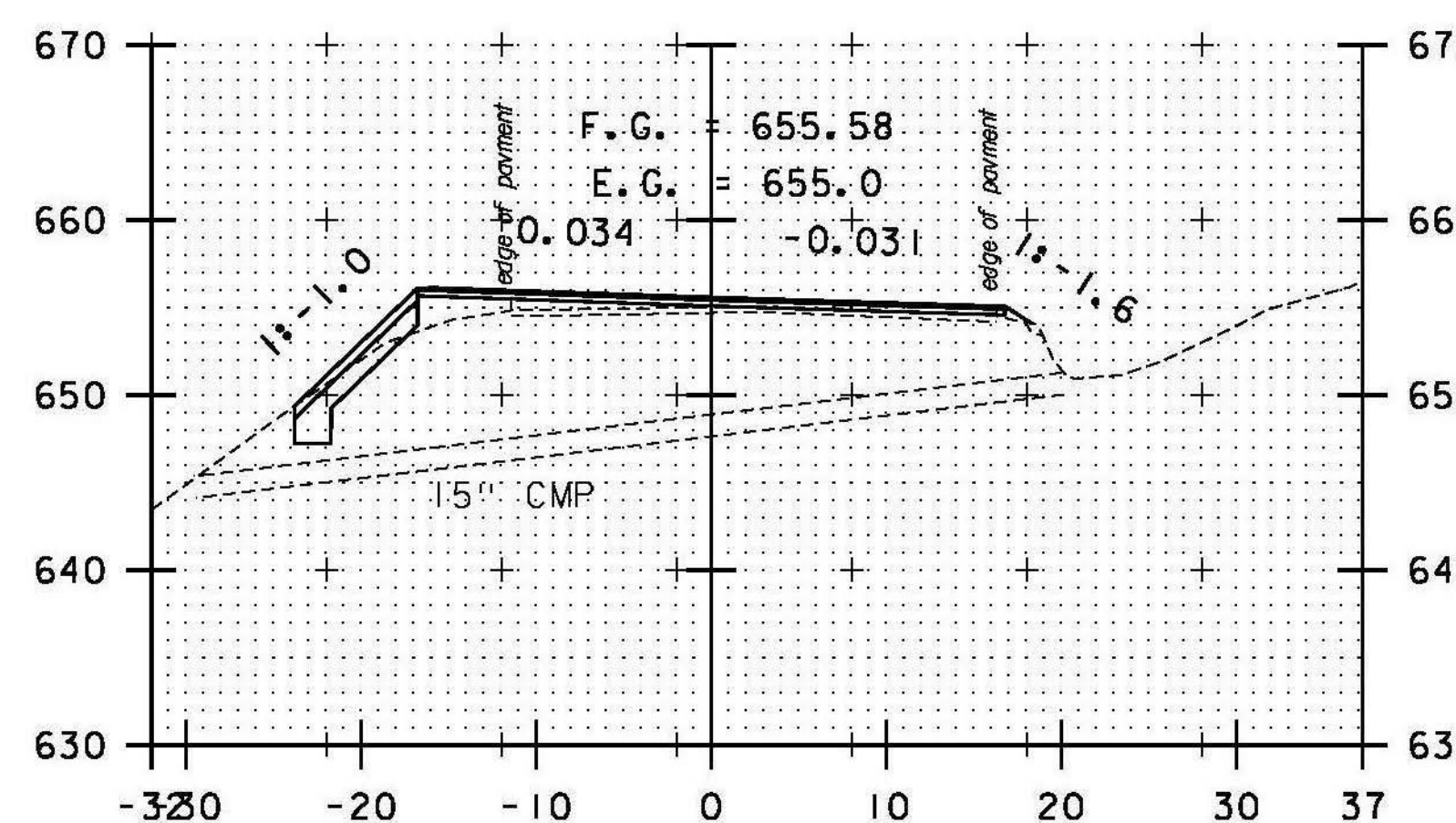


SKEWED  
376+92



SKEWED  
369+23

- 44 STA. 369+09.87 RT 18.50' TO  
STA. 369+17.79 RT 18.50'  
REMOVE HEADWALL  
CONSTRUCT CONCRETE REINFORCED  
HEADWALL PER STD. D-33  
USE SCHEDULING AND DIMENSIONS  
FOR 24" PIPE WITH 1'-6" HEADER  
ABOVE PIPE



SKEWED  
375+89

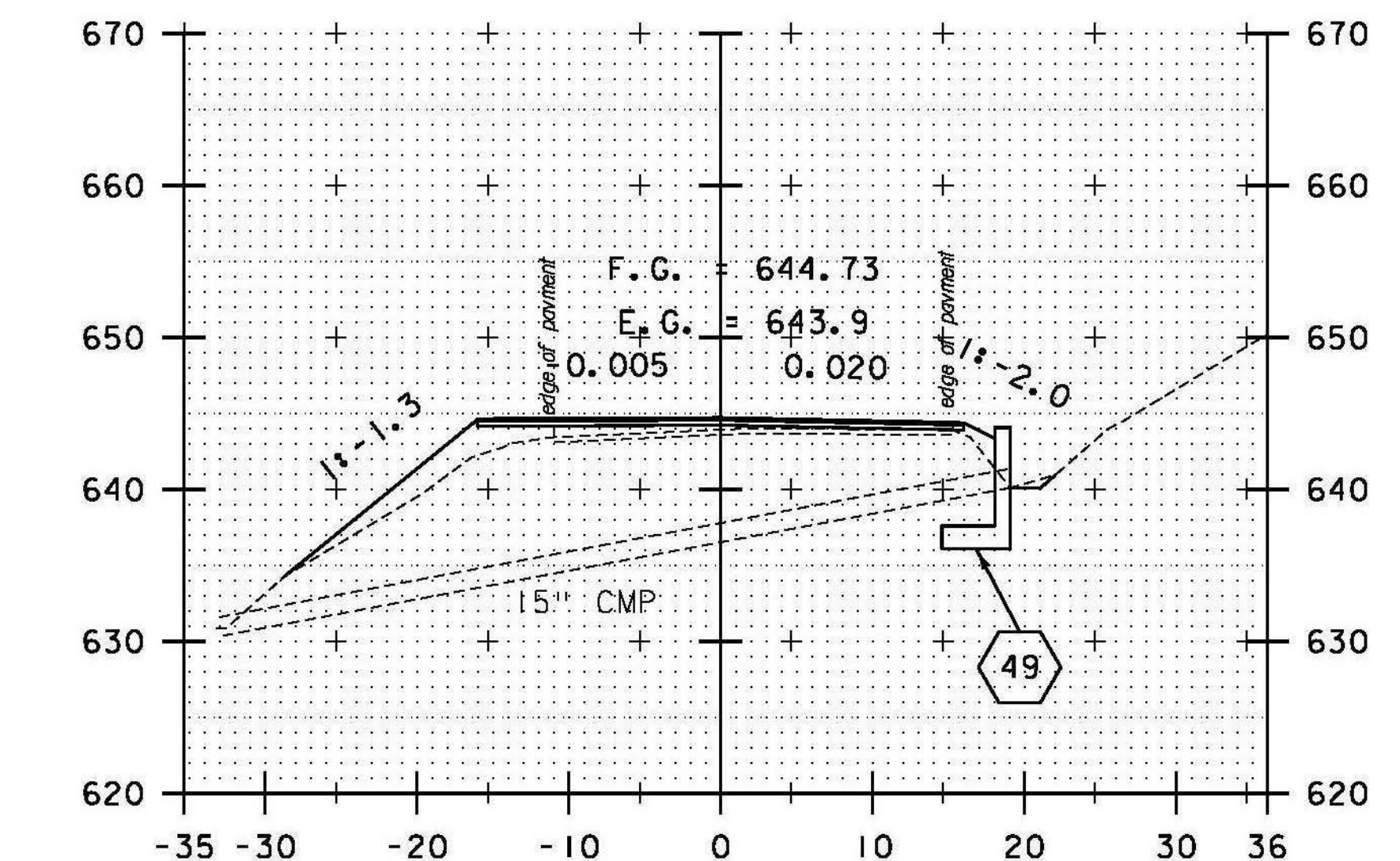
- 45 STA. 370+64.88 RT 29.82' TO  
STA. 370+86.38 LT 25.11'  
REMOVE HEADWALL AND PIPE  
INSTALL 18" CPEP (59'-0")  
INV. IN = 672.45'  
INV. OUT = 668.30'

- 46 STA. 371+76.09 LT 22.94' TO  
STA. 371+79.70 RT 26.92'  
REMOVE HEADWALL AND PIPE  
INSTALL 18" CPEP (50'-0")  
INV. IN = 670.50'  
INV. OUT = 667.00'

- 47 STA. 378+73.07 RT 16.99' TO  
STA. 378+83.22 RT 16.99'  
REMOVE HEADWALL  
CONSTRUCT CONCRETE REINFORCED  
HEADWALL PER STD. D-33  
USE SCHEDULING AND DIMENSIONS  
FOR 30" PIPE WITH 2'-0" HEADER  
ABOVE PIPE

- 48 STA. 378+78.14 RT 18.00' TO  
STA. 378+85.35 LT 27.66'  
REMOVE EXISTING PIPE  
INSTALL 18" CPEP (47'-0")  
INV. IN = 644.50'  
INV. OUT = 639.10'

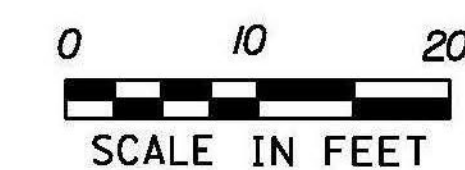
- 49 STA. 381+20.34 RT 18.06' TO  
STA. 381+30.32 RT 18.06'  
CONSTRUCT CONCRETE REINFORCED  
HEADWALL PER STD. D-33  
USE SCHEDULING AND DIMENSIONS  
FOR 30" PIPE WITH 2'-9" HEADER  
ABOVE PIPE



SKEWED  
381+25

DATUM  
VERTICAL NAVD 88  
HORIZONTAL NAD 83

STA. 369+23 TO STA. 381+25



PROJECT NAME: RANDOLPH  
PROJECT NUMBER: STP 2932 (1)

FILE NAME: z10c270.dgn  
PROJECT LEADER: C. LATHROP  
DESIGNED BY: B. BRESLEND  
CHECKED BY: C. LATHROP  
CULVERT CROSS SECTION SHEET 23

PLOT DATE: 6/5/2014  
DRAWN BY: B. BRESLEND  
SHEET 270 OF 276