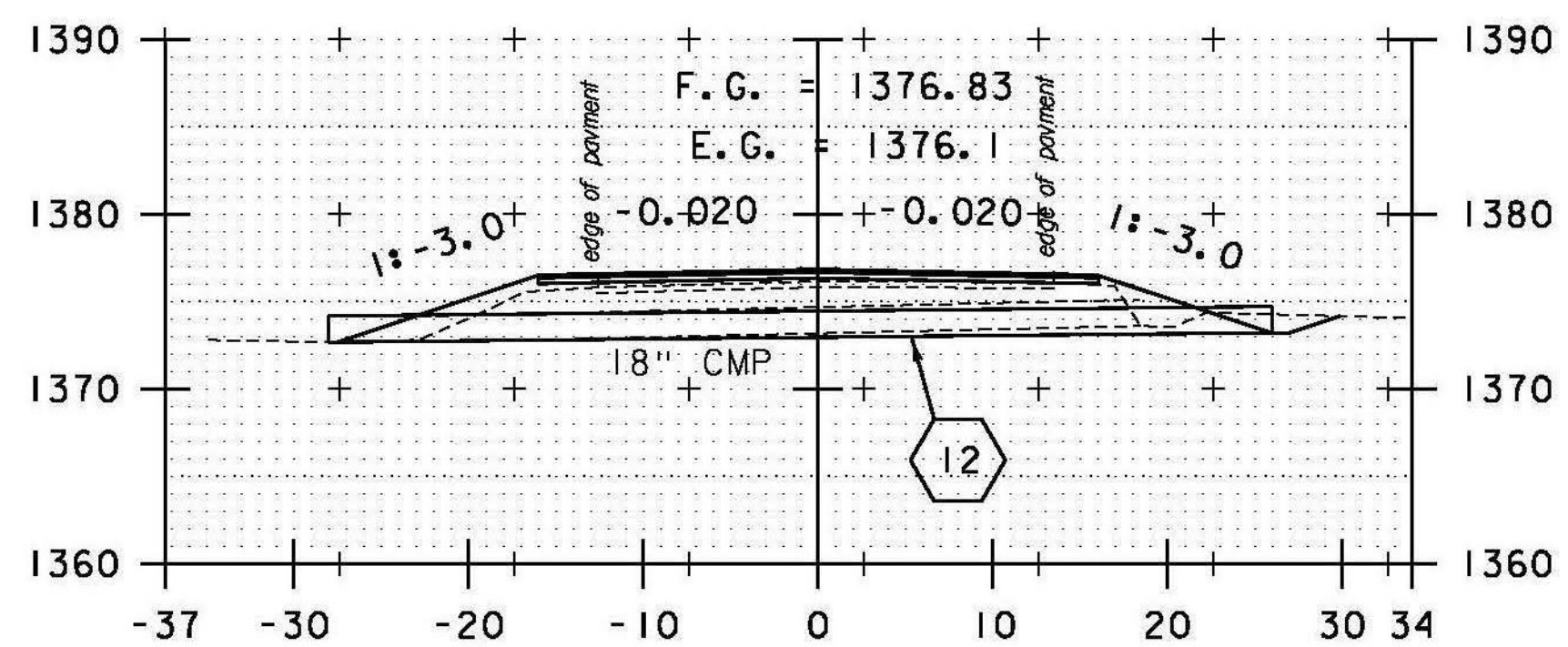
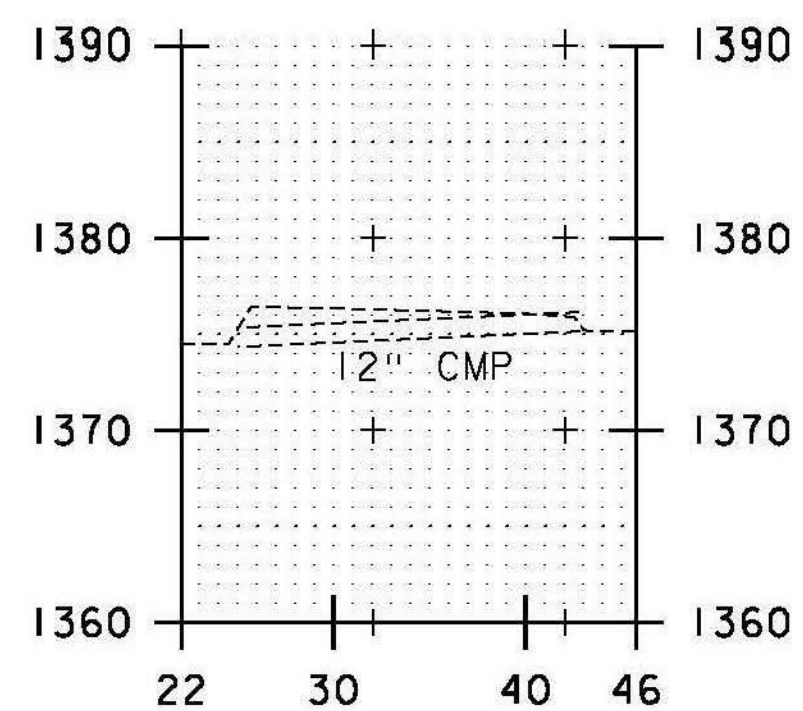
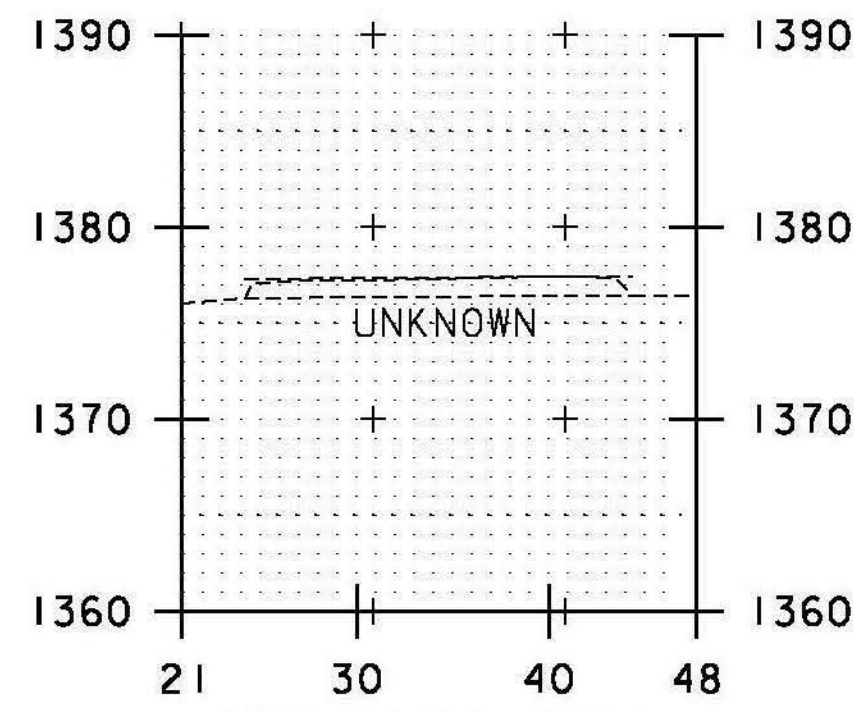
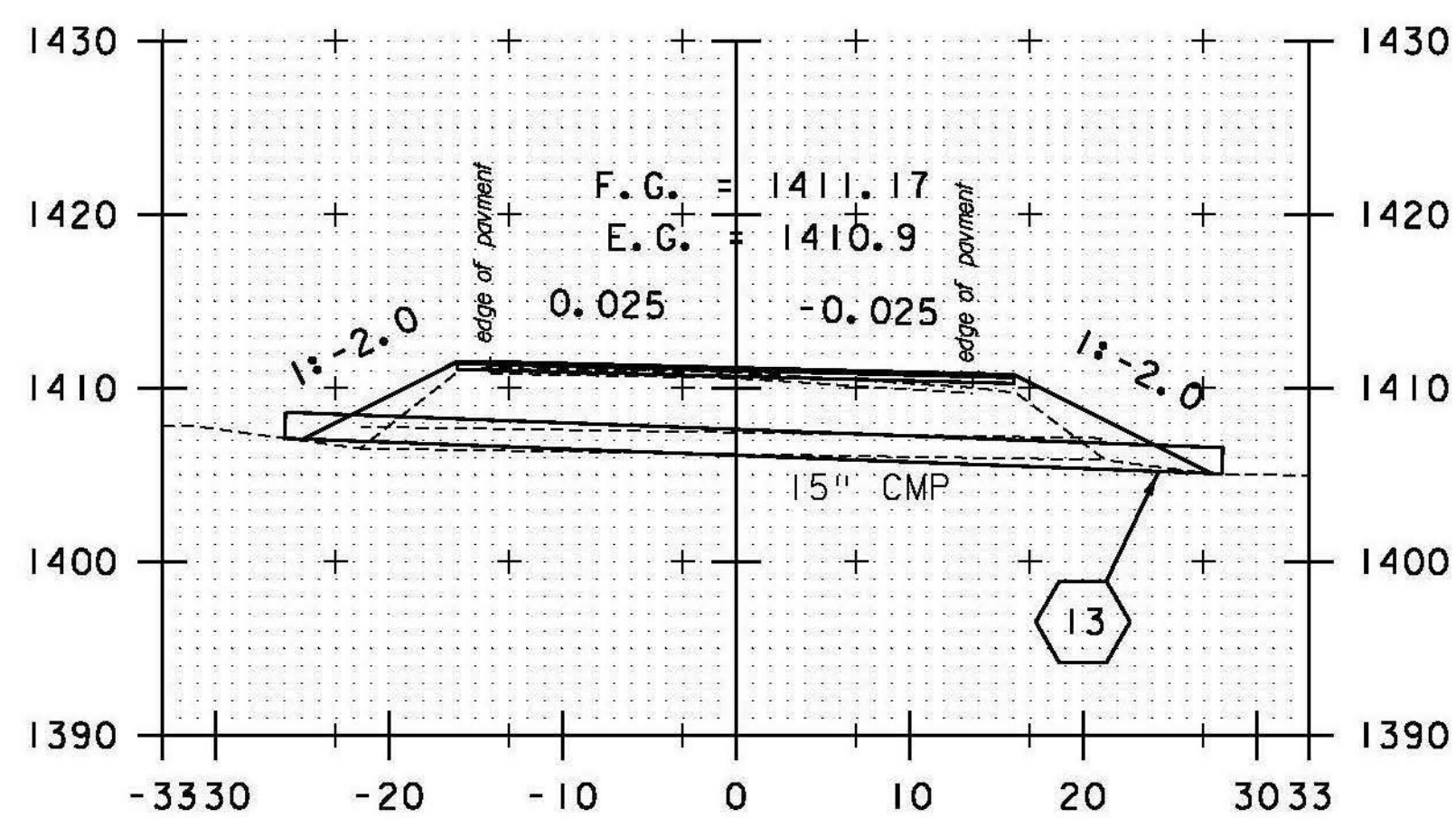
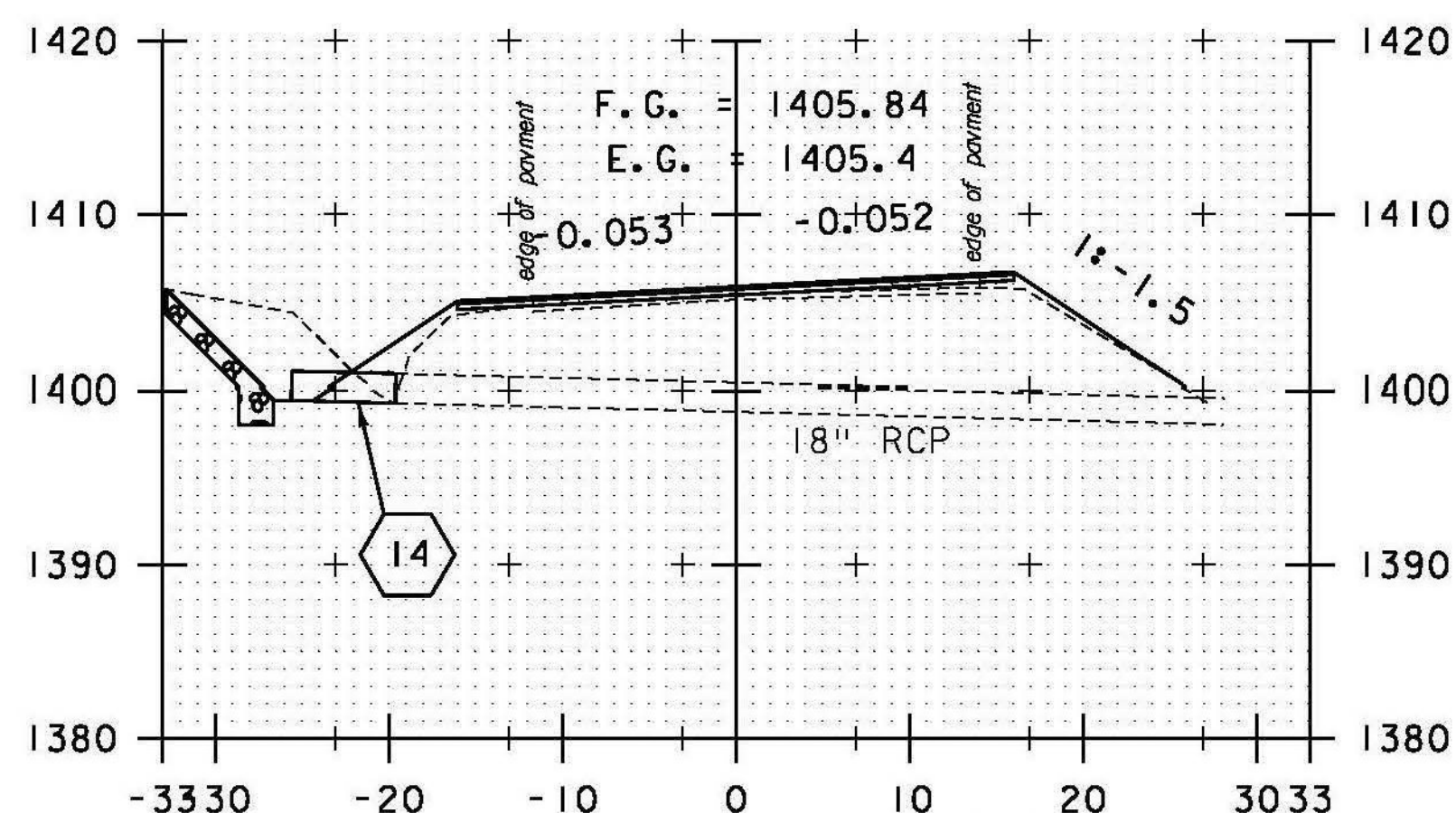
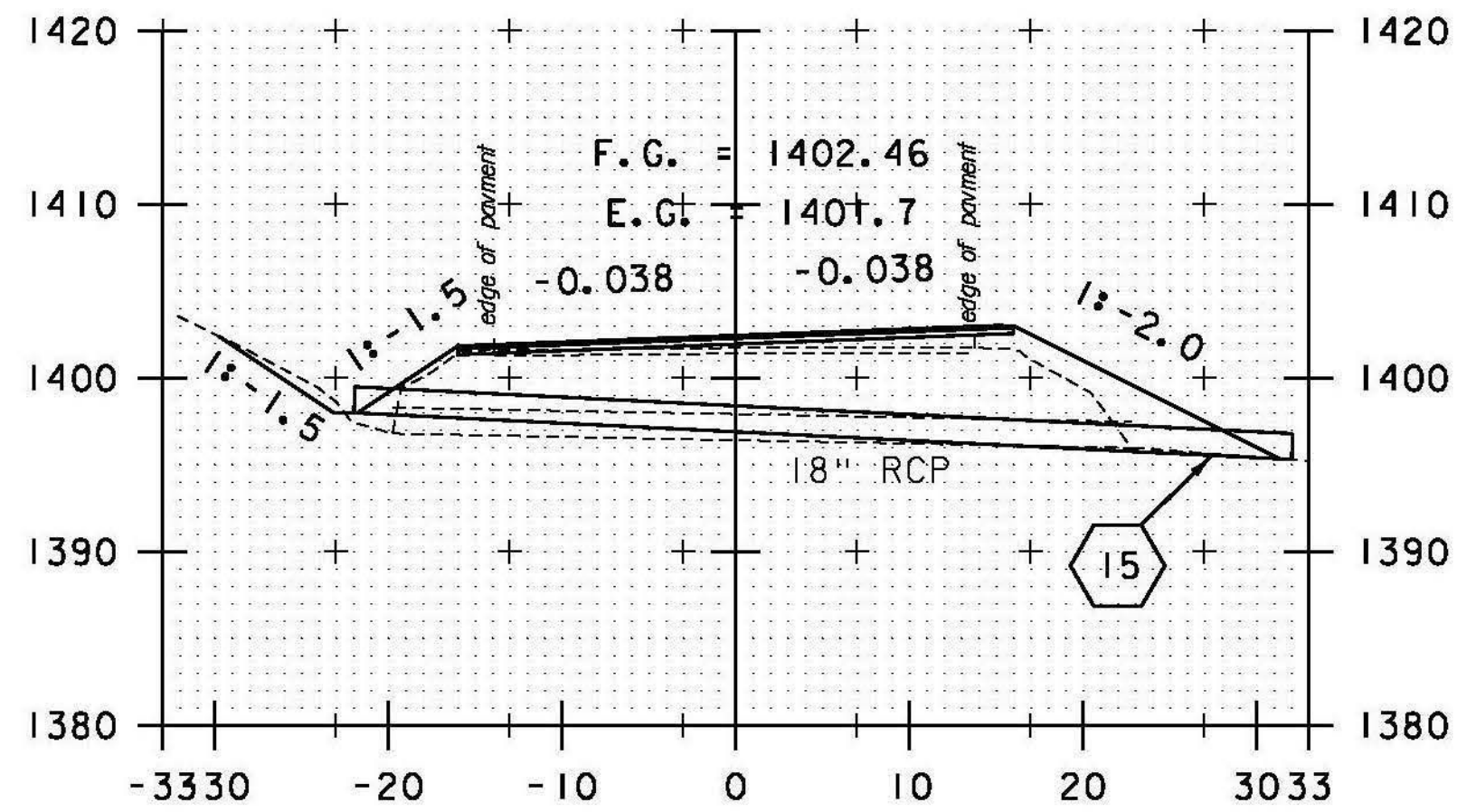


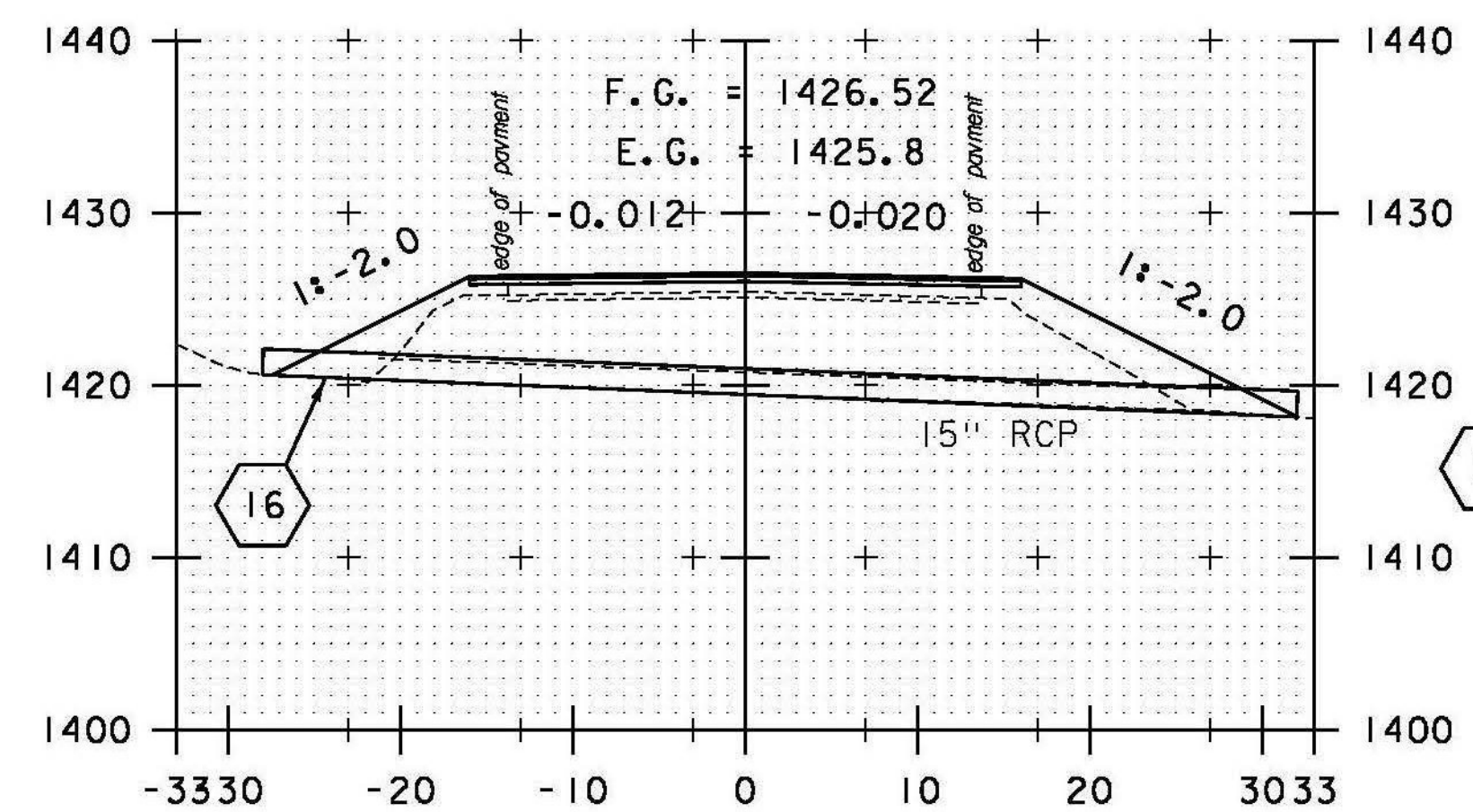
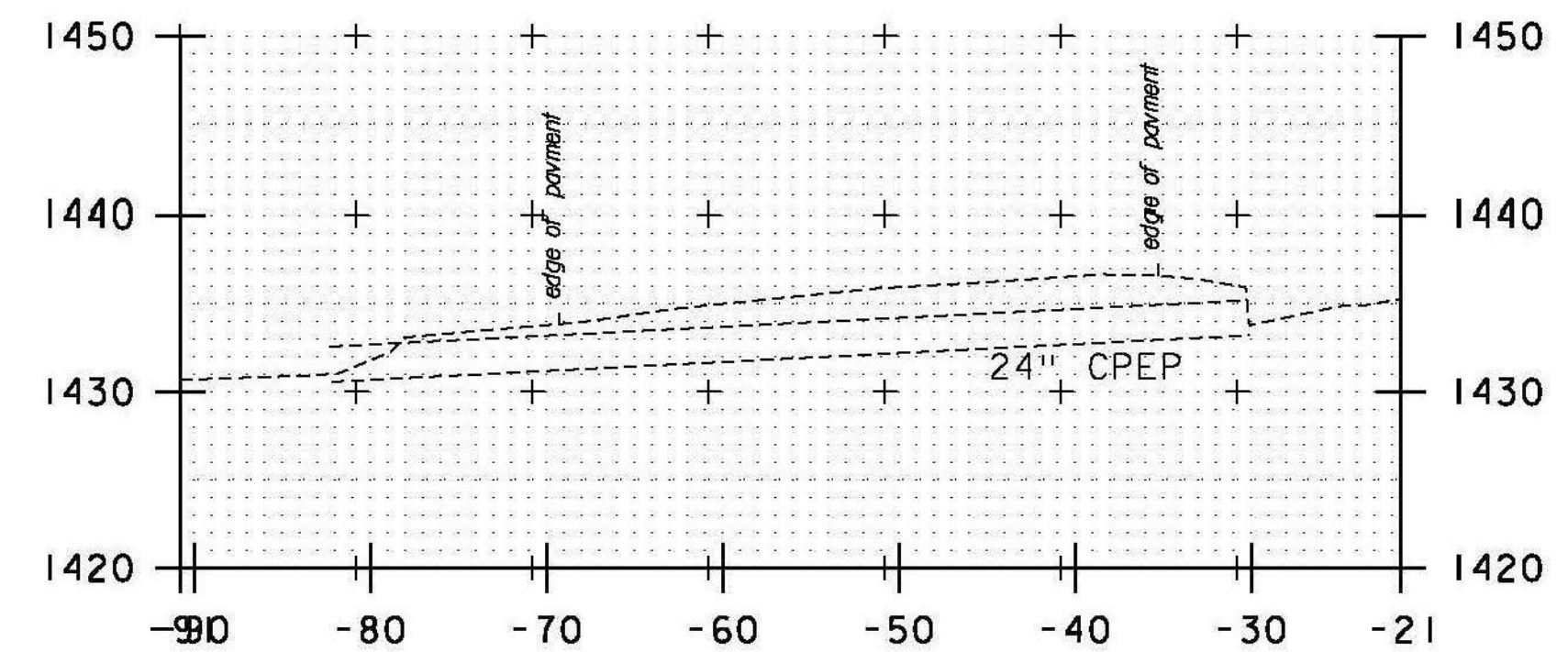
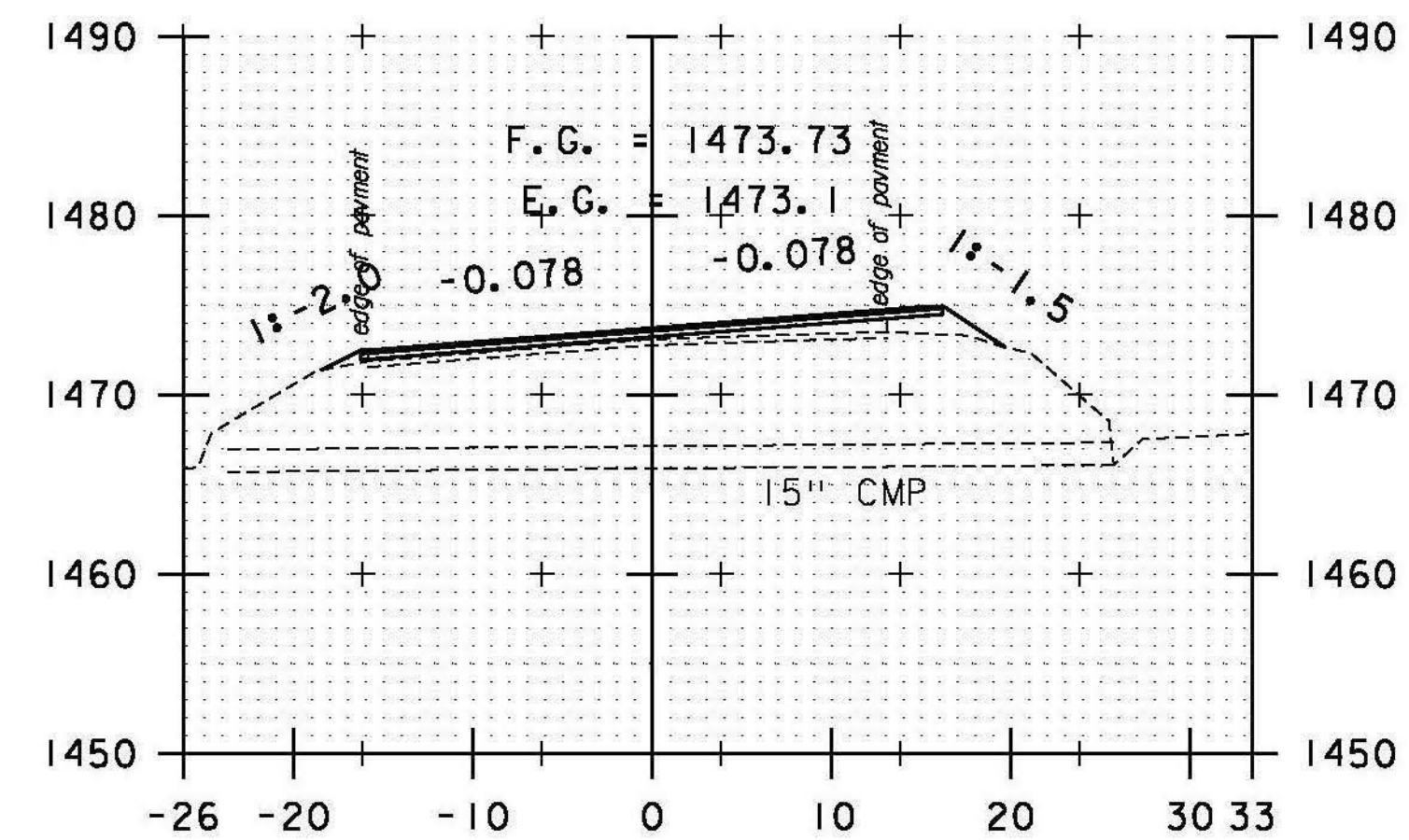
15 STA. 221+03.69 LT 21.99' TO
 STA. 221+05.01 RT 31.99'
 REMOVE HEADWALL AND PIPE
 INSTALL 18" CPEP (54'-0")
 INV. IN = 1398.00'
 INV. OUT = 1395.31'



12 STA. 202+46.44 LT 27.94' TO
 STA. 202+49.86 RT 25.95'
 REMOVE EXISTING PIPE
 INSTALL 18" CPEP (54'-0")
 INV. IN = 1373.21'
 INV. OUT = 1372.67'



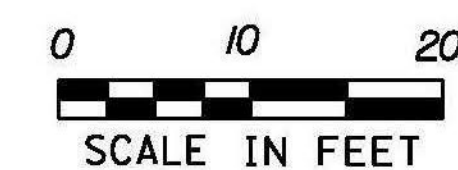
13 STA. 213+90.00 LT 25.96' TO
 STA. 213+92.87 RT 27.96'
 REMOVE EXISTING PIPE
 INSTALL 18" CPEP (54'-0")
 INV. IN = 1407.10'
 INV. OUT = 1405.05'



16 STA. 229+88.34 LT 27.99' TO
 STA. 229+89.86 RT 31.99'
 REMOVE HEADWALL AND PIPE
 INSTALL 18" CPEP (60'-0")
 INV. IN = 1420.60'
 INV. OUT = 1418.15'

DATUM
 VERTICAL NAVD 88
 HORIZONTAL NAD 83

STA. 202+48 TO STA. 239+81



PROJECT NAME: RANDOLPH
 PROJECT NUMBER: STP 2932 (1)

FILE NAME: z10c270.dgn
 PROJECT LEADER: C. LATHROP
 DESIGNED BY: B. BRESLEND
 CULVERT CROSS SECTION SHEET 16

PLOT DATE: 6/5/2014
 DRAWN BY: B. BRESLEND
 CHECKED BY: C. LATHROP
 SHEET 263 OF 276