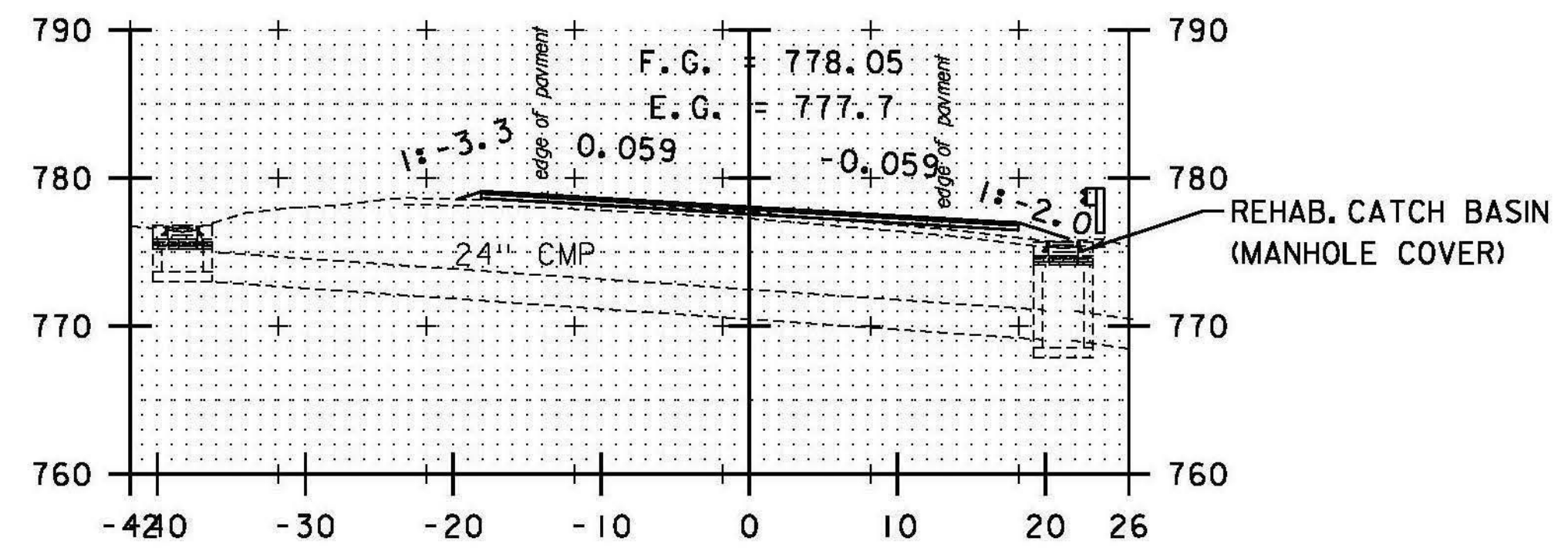
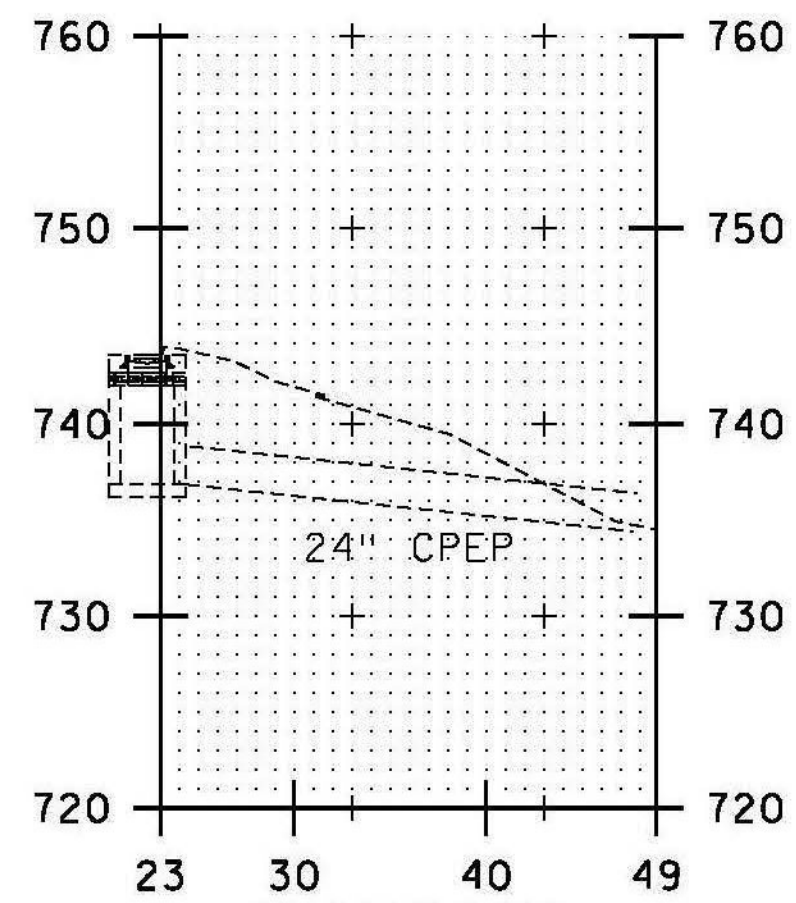


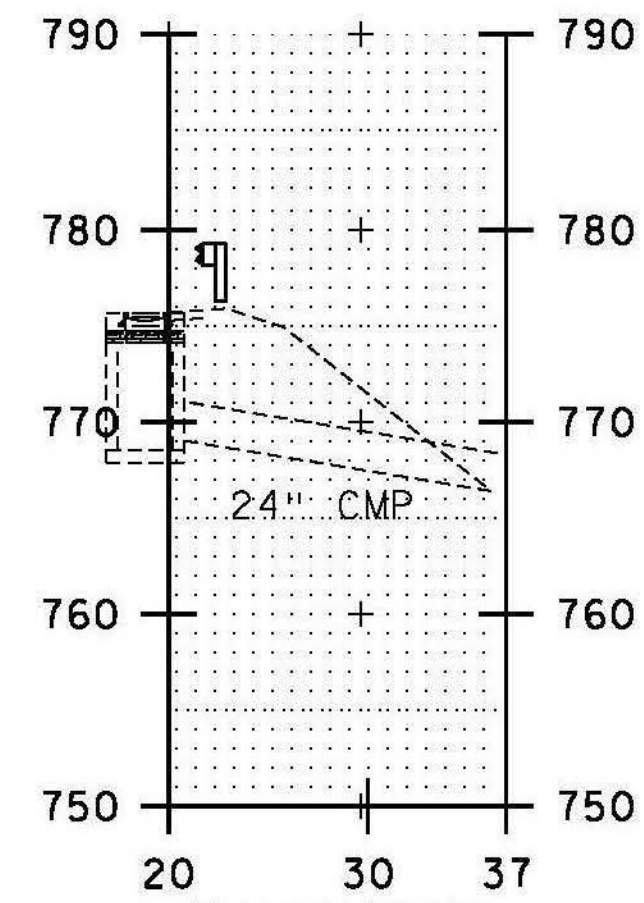
SKEWED
45+82



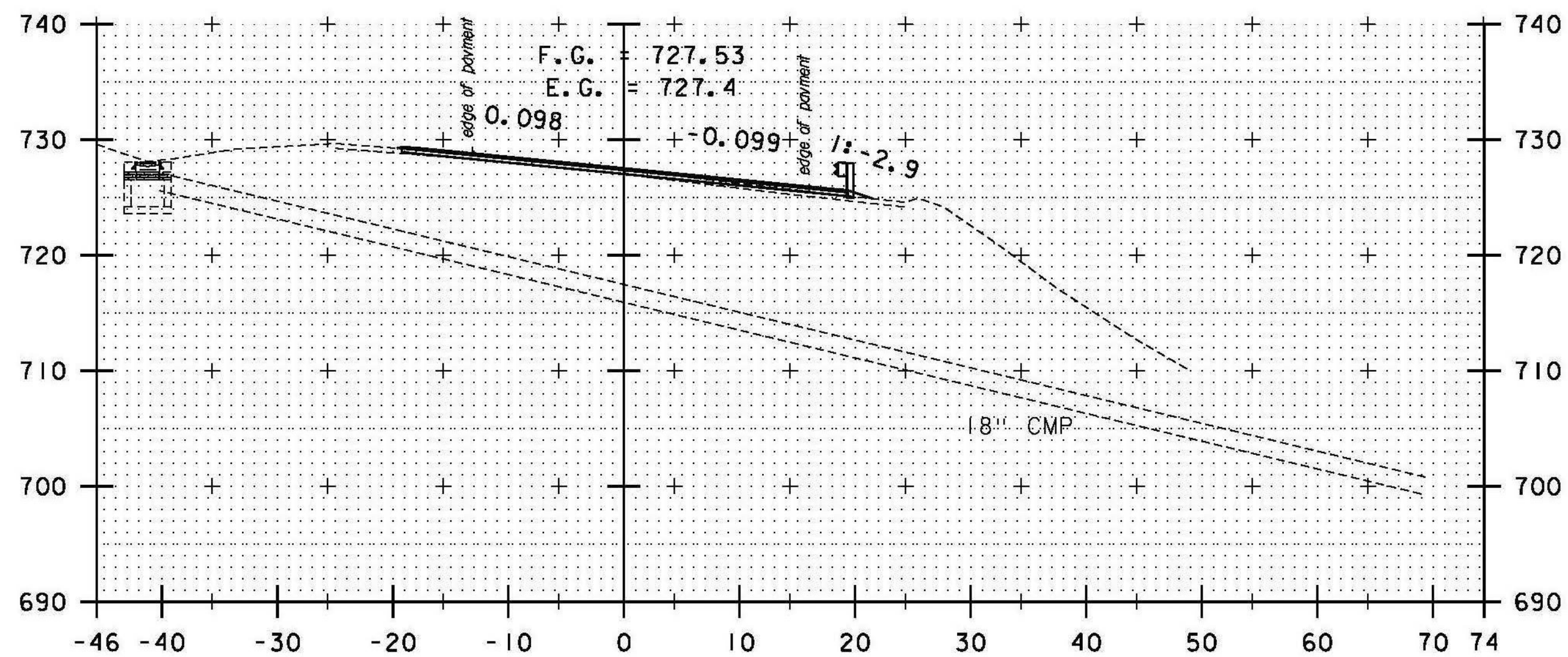
54+91



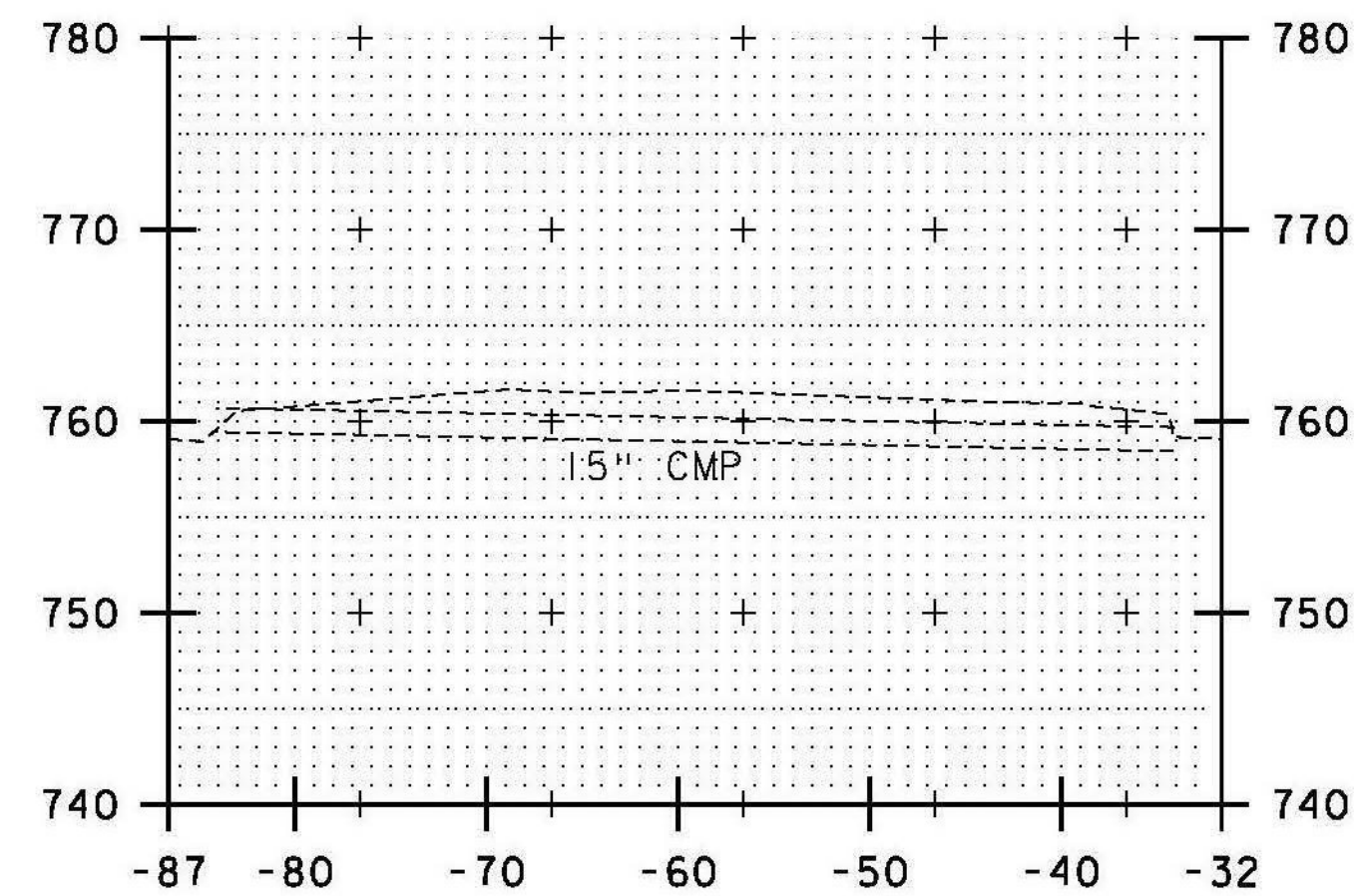
SKEWED
45+68



SKEWED
54+84

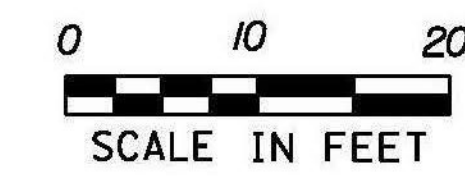


SKEWED
43+66



DRIVE LT
48+02

DATUM
VERTICAL NAVD 88
HORIZONTAL NAD 83



STA. 43+66 TO STA. 54+91

PROJECT NAME: RANDOLPH
PROJECT NUMBER: STP 2932 (1)

FILE NAME: z10c270.dgn
PROJECT LEADER: C. LATHROP
DESIGNED BY: B. BRESLEND
CULVERT CROSS SECTION SHEET 3

PLOT DATE: 6/5/2014
DRAWN BY: B. BRESLEND
CHECKED BY: C. LATHROP
SHEET 250 OF 276