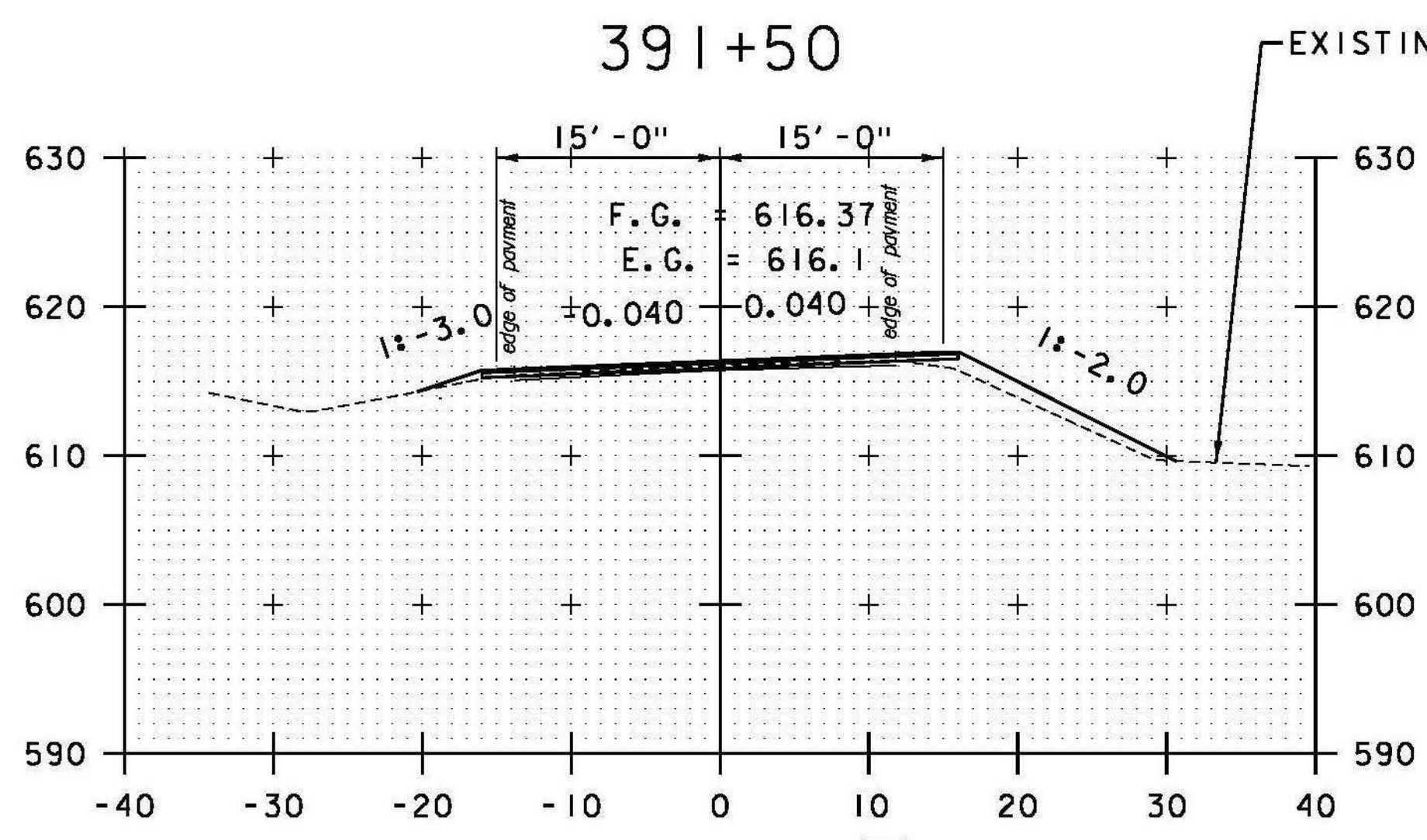
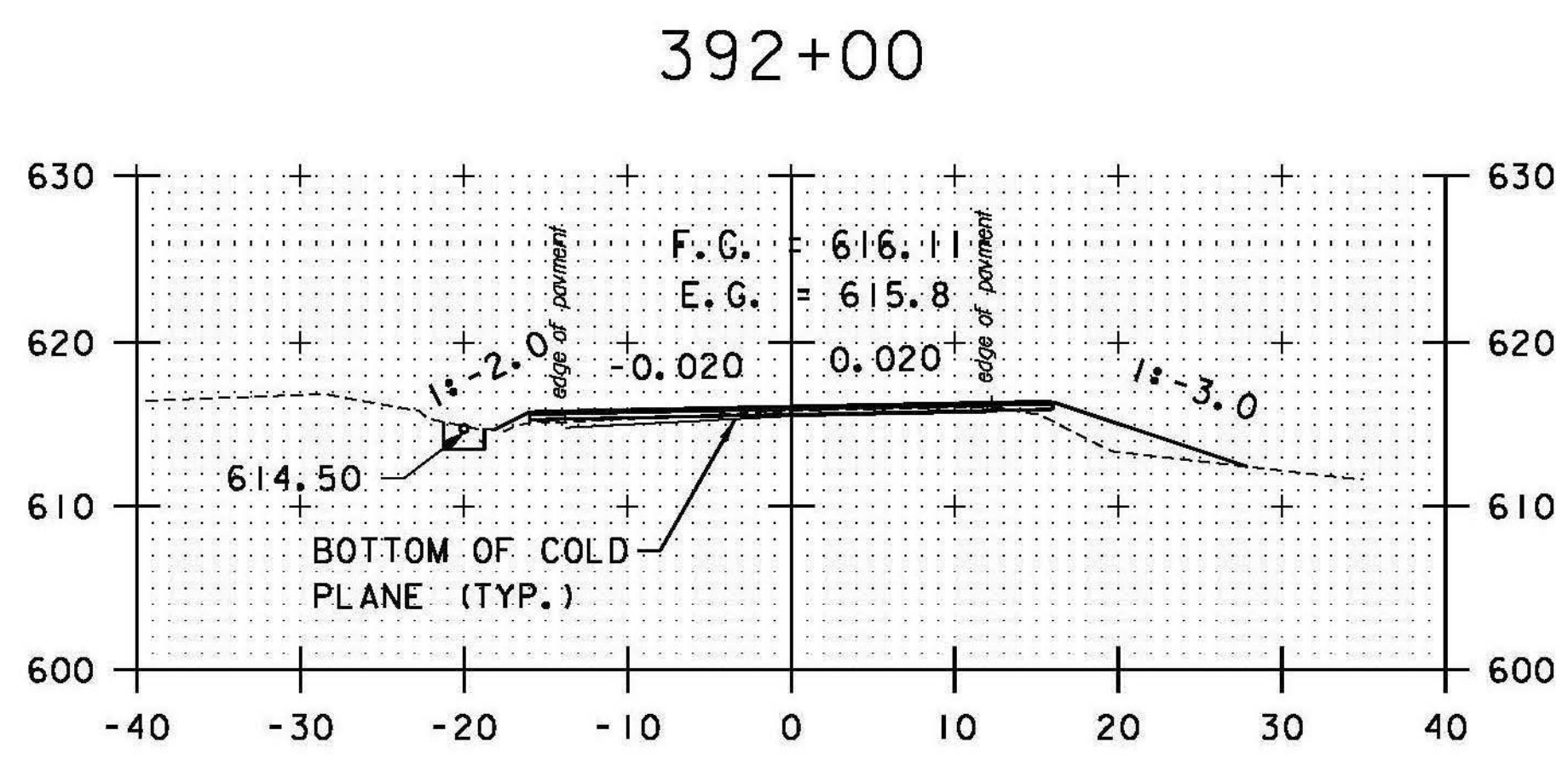
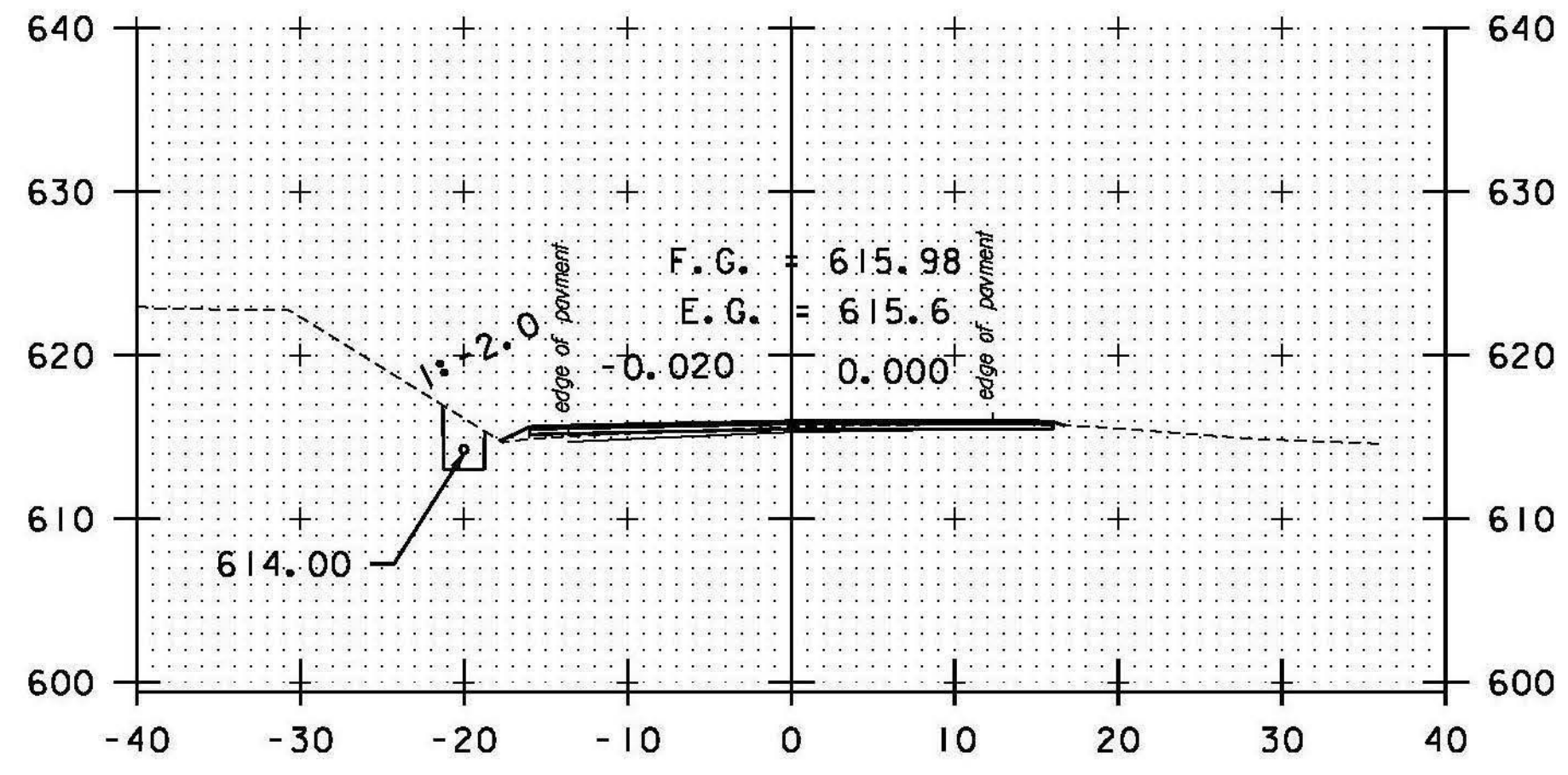
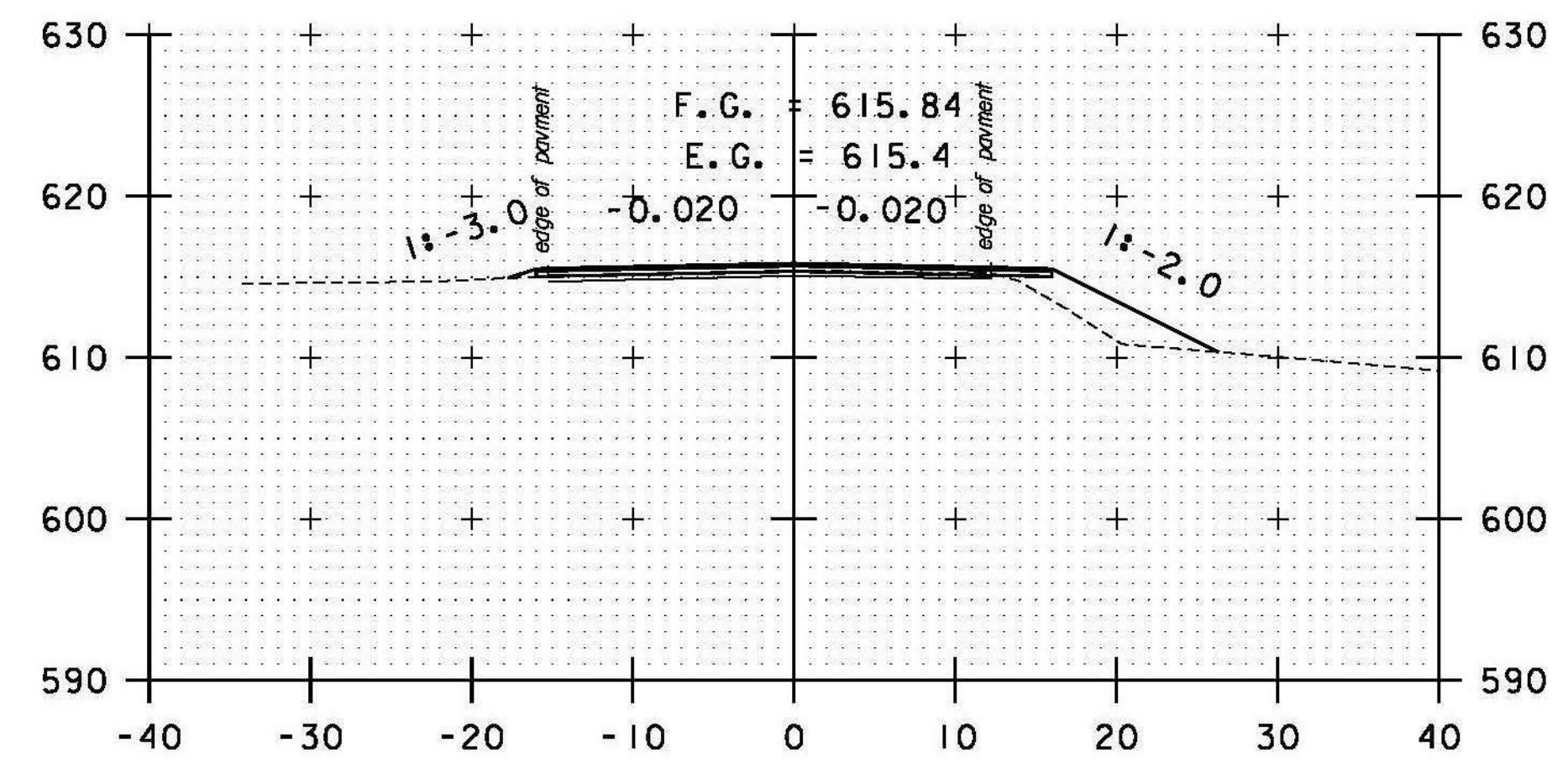
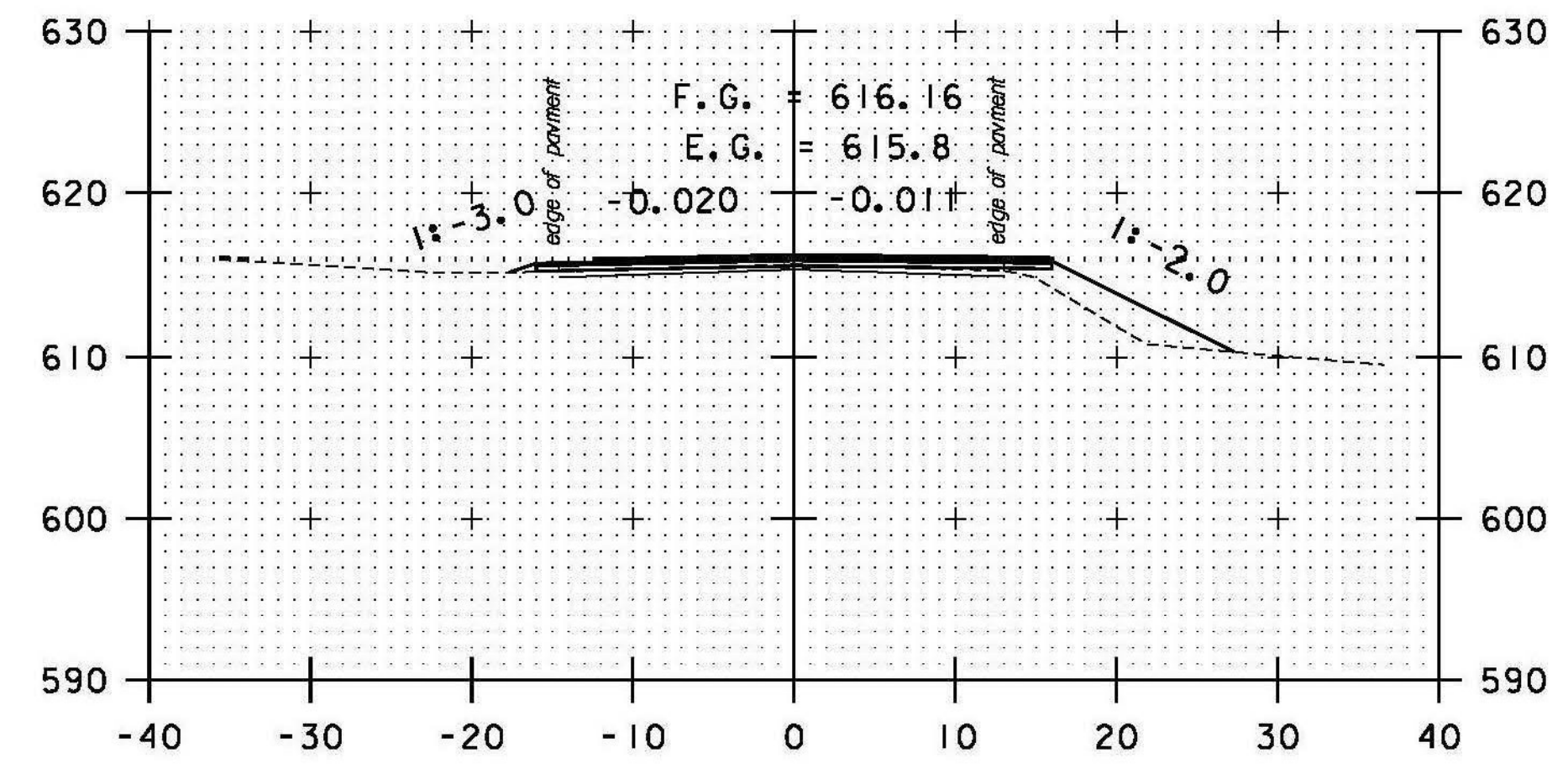
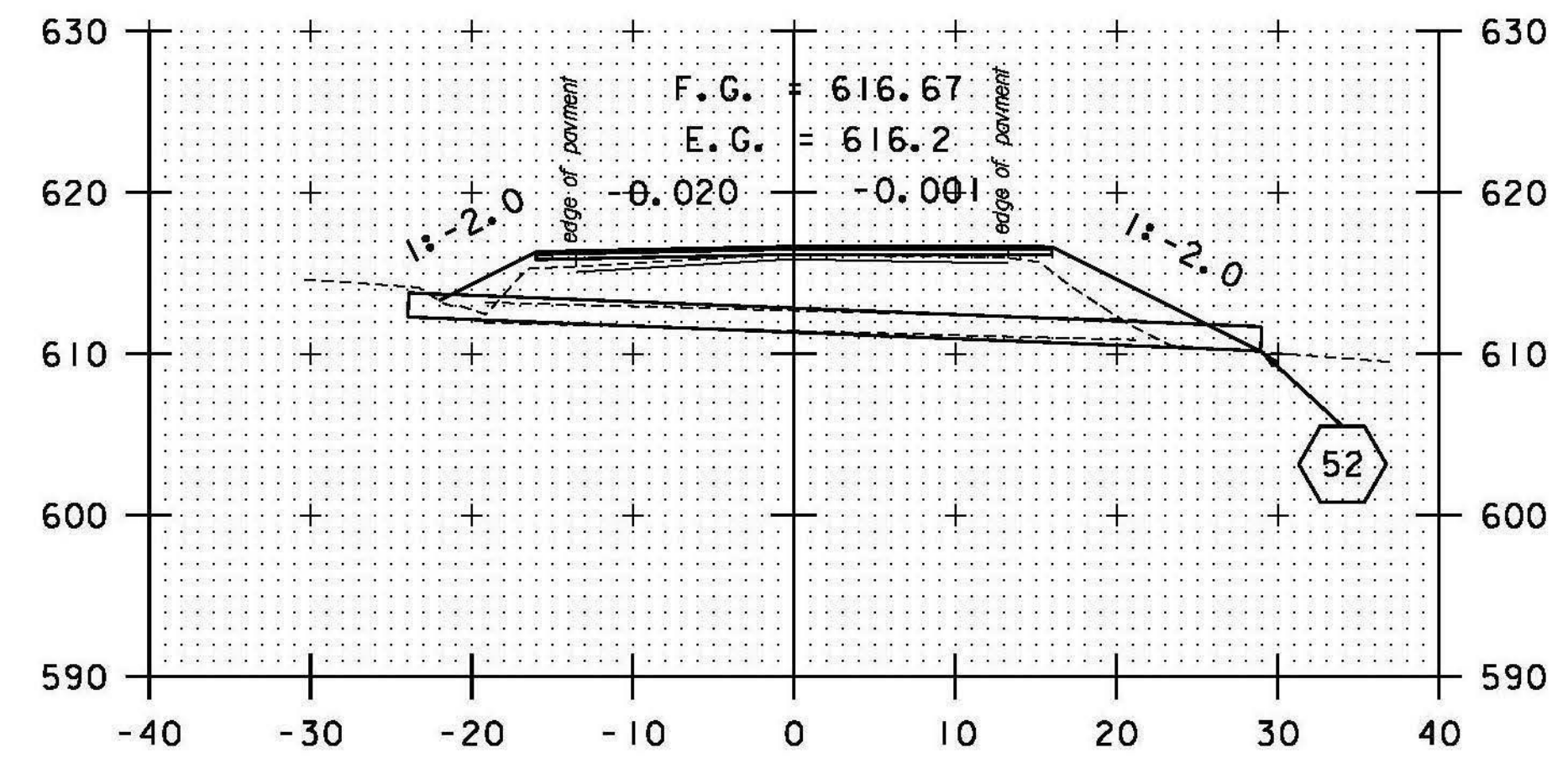
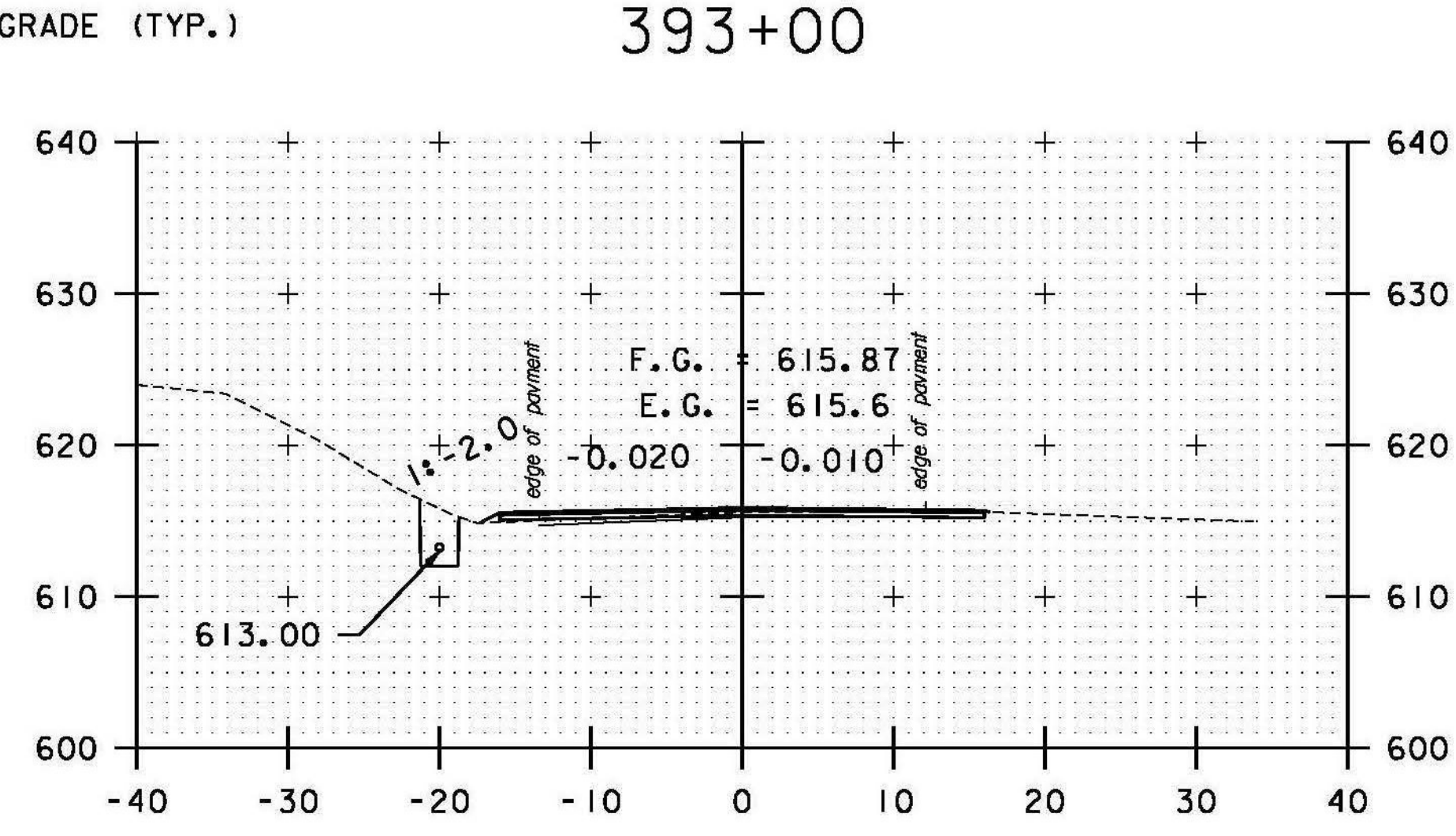
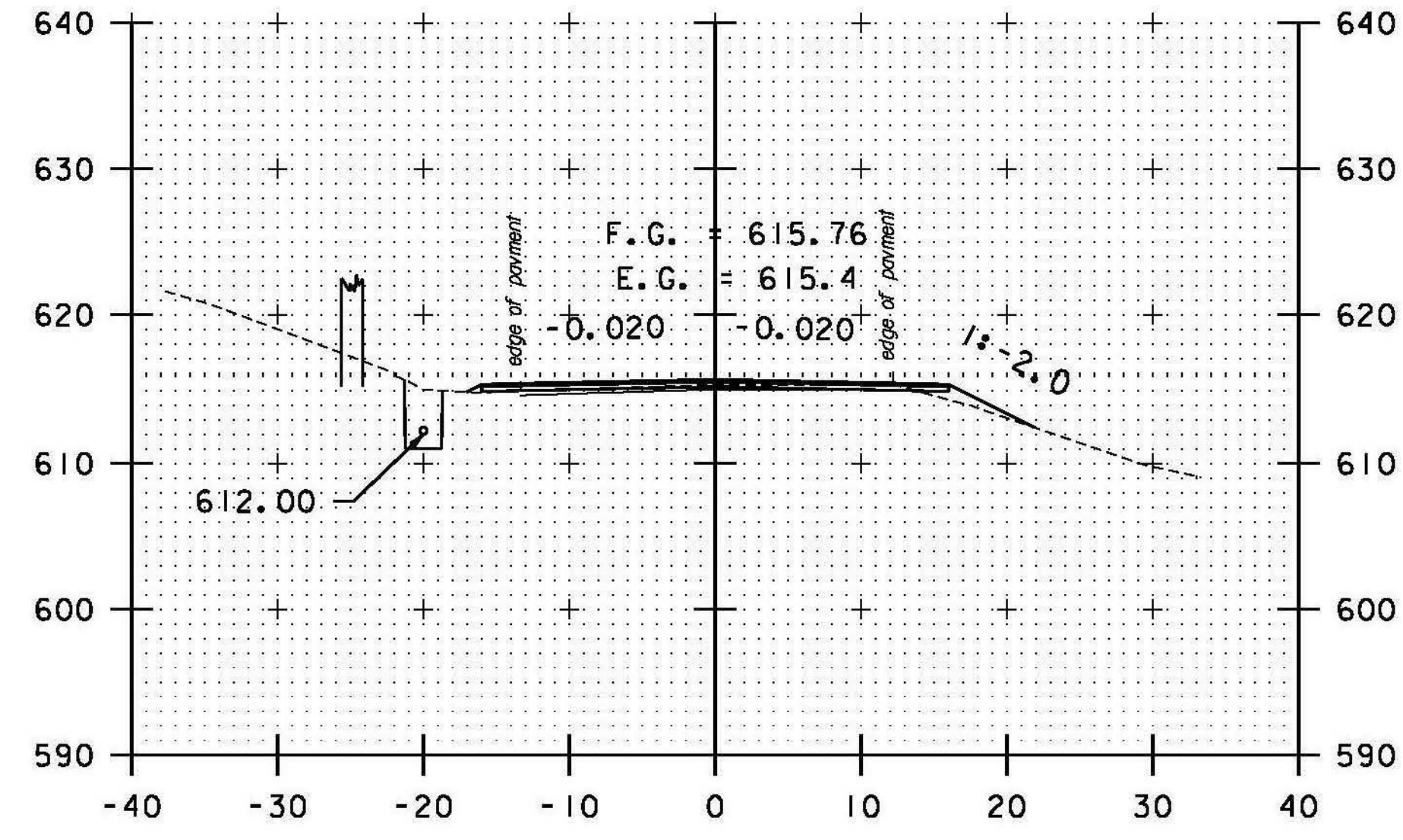
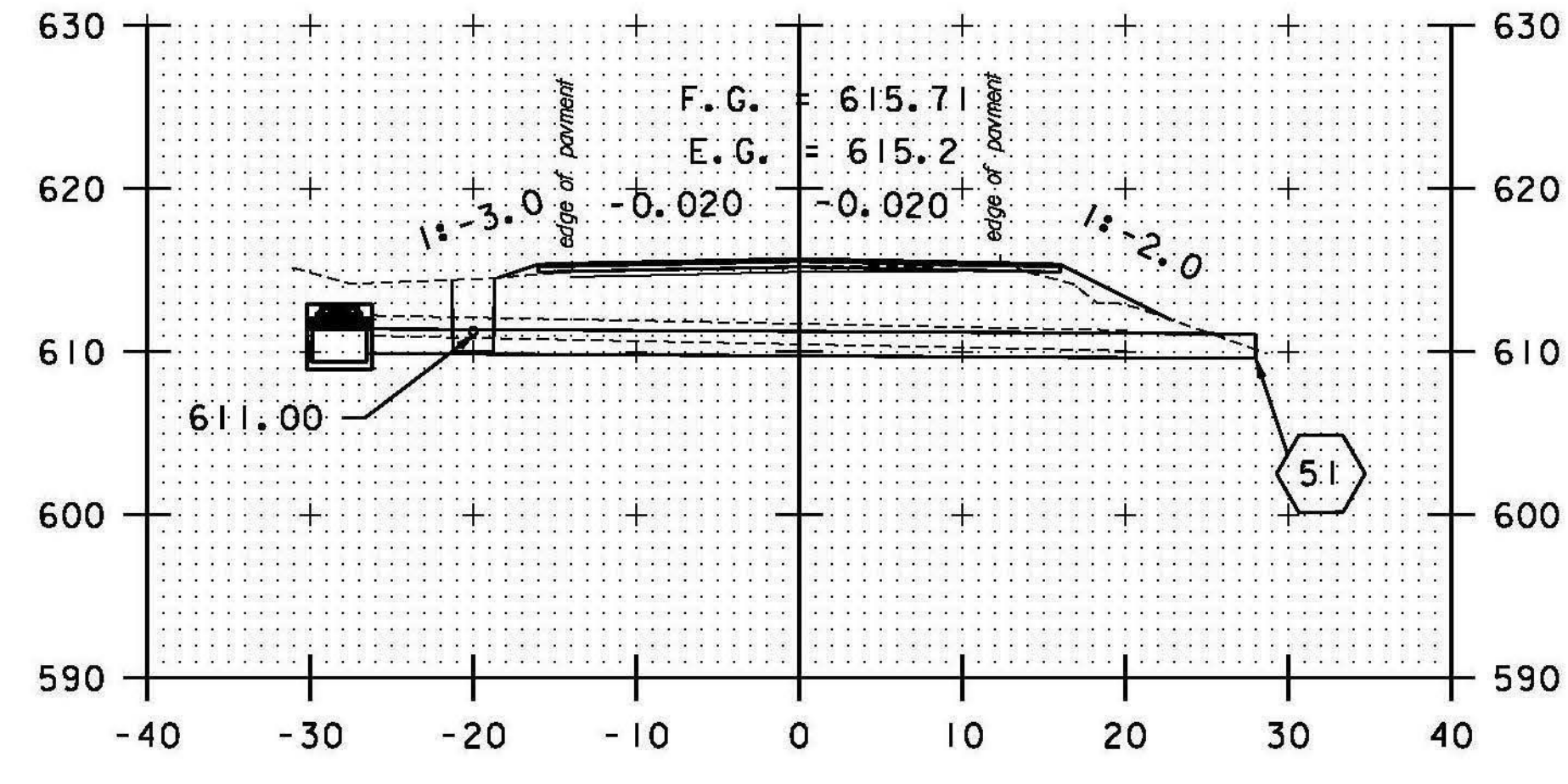


52 STA. 394+89.99 RT 28.93' TO  
 STA. 394+93.55 LT 23.95'  
 REMOVE EXISTING PIPE  
 INSTALL 18" CPEP (53'-0")  
 INV. IN = 612.30'  
 INV. OUT = 610.20'

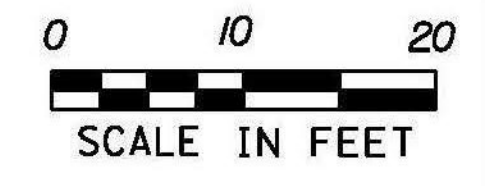


51 STA. 393+70.76 LT 28.21' TO  
 STA. 393+71.74 RT 28.00'  
 REMOVE DROP INLET AND PIPE  
 PRECAST CONCRETE REINFORCED DROP  
 INLET WITH CAST IRON GRATE (TYPE D)  
 RIM = 612.95'  
 INSTALL 18" CPEP (53'-0")  
 INV. IN = 609.90'  
 INV. OUT = 609.60'



STA. 391+00 TO STA. 395+00

DATUM  
 VERTICAL NAVD 88  
 HORIZONTAL NAD 83 (07)



PROJECT NAME: RANDOLPH  
 PROJECT NUMBER: STP 2932 (1)  
 FILE NAME: z10c270.dgn  
 PROJECT LEADER: C. LATHROP  
 DESIGNED BY: B. BRESLEND  
 VT 66 CROSS SECTION SHEET 87  
 PLOT DATE: 6/5/2014  
 DRAWN BY: B. BRESLEND  
 CHECKED BY: C. LATHROP  
 SHEET 243 OF 276