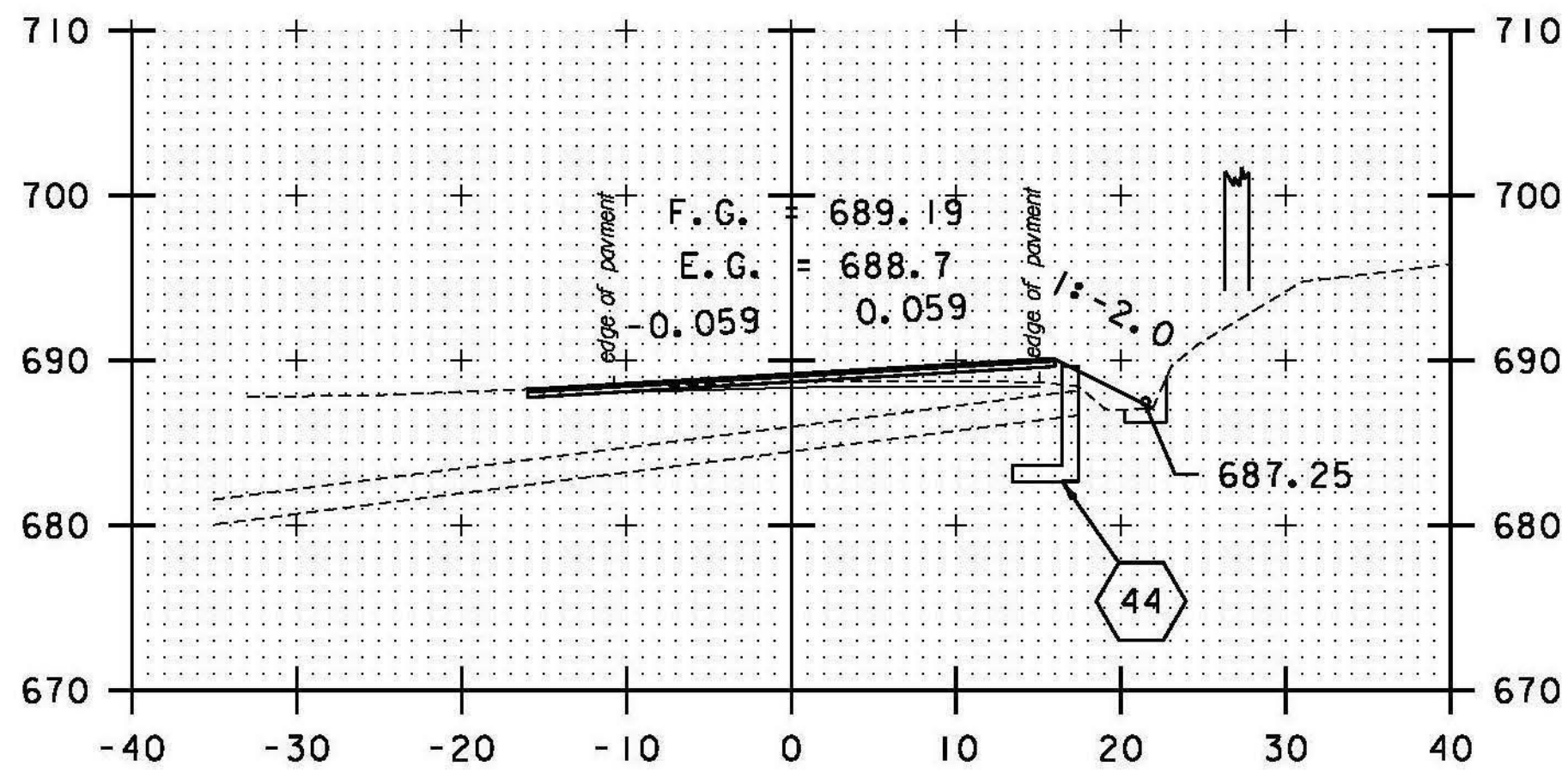
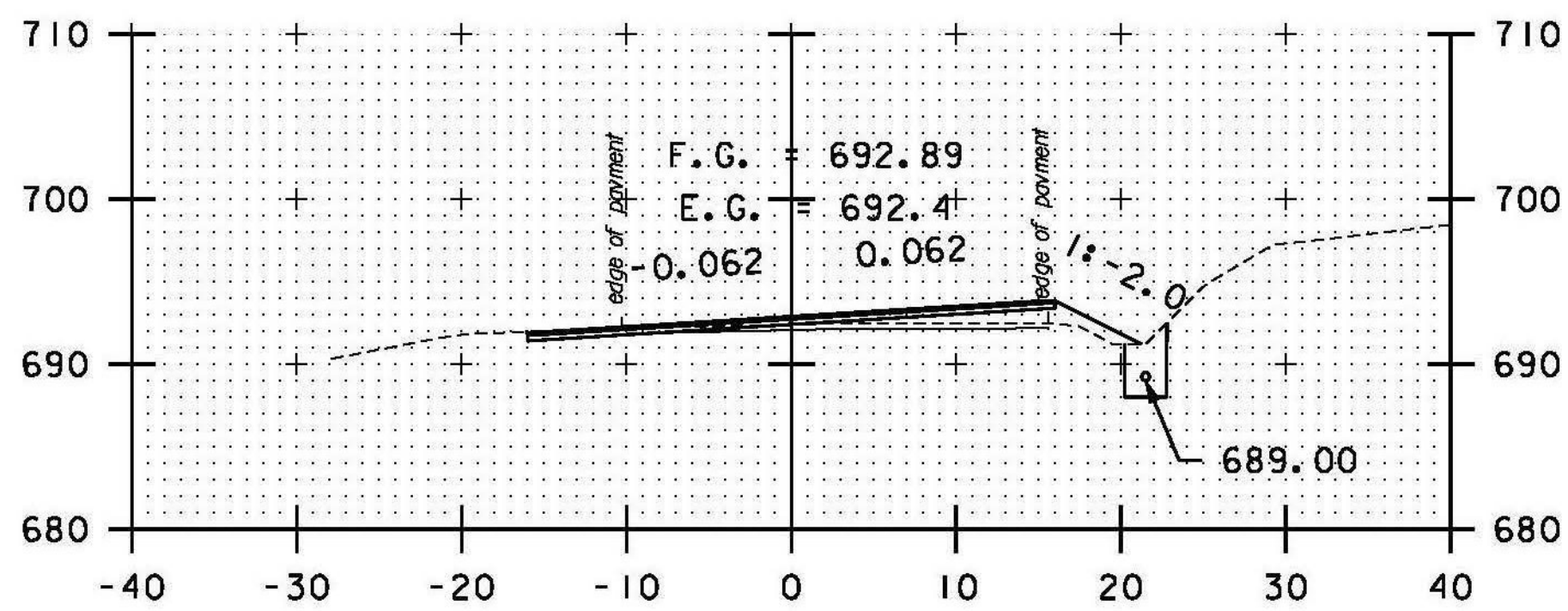


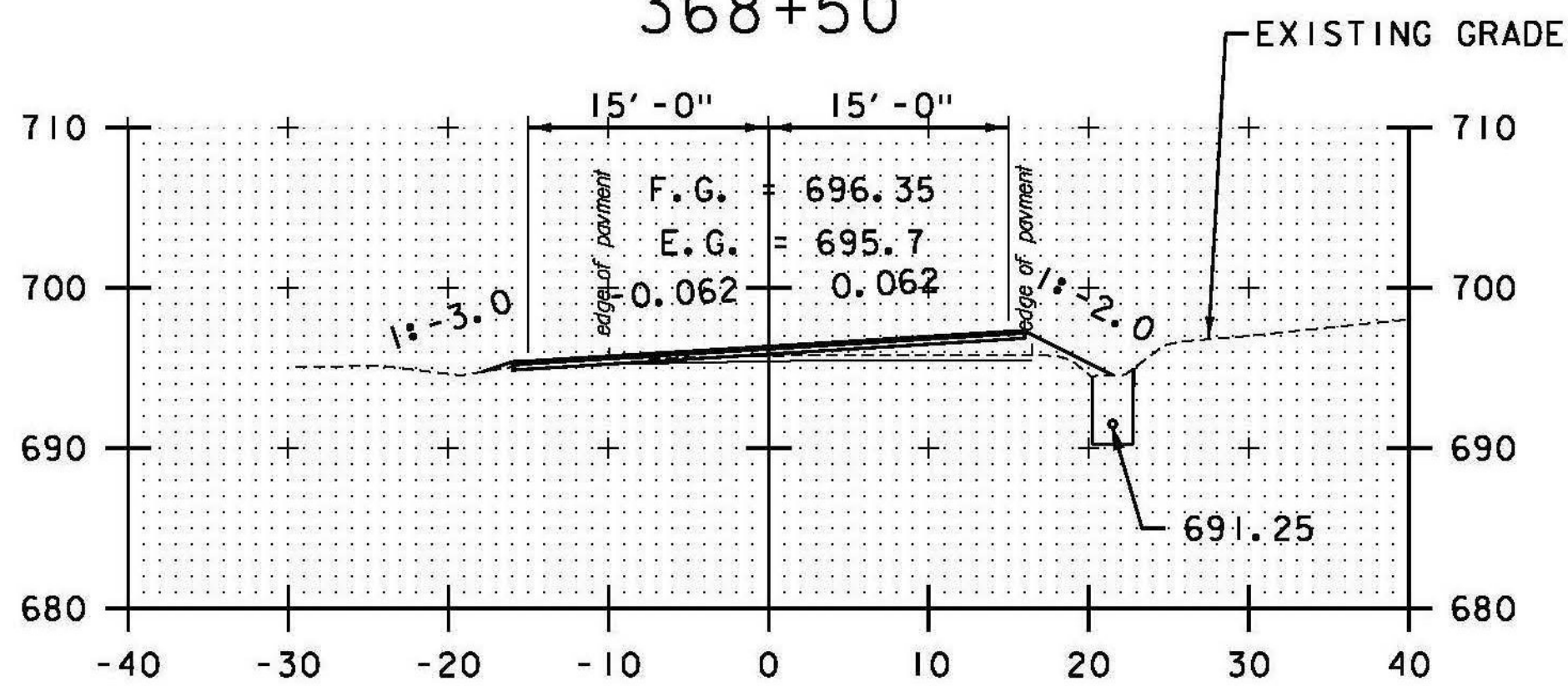
44 STA. 369+09.87 RT 18.50' TO
 STA. 369+17.79 RT 18.50'
 REMOVE HEADWALL
 CONSTRUCT CONCRETE REINFORCED
 HEADWALL PER STD. D-33
 USE SCHEDULING AND DIMENSIONS
 FOR 24" PIPE WITH 1'-6" HEADER
 ABOVE PIPE



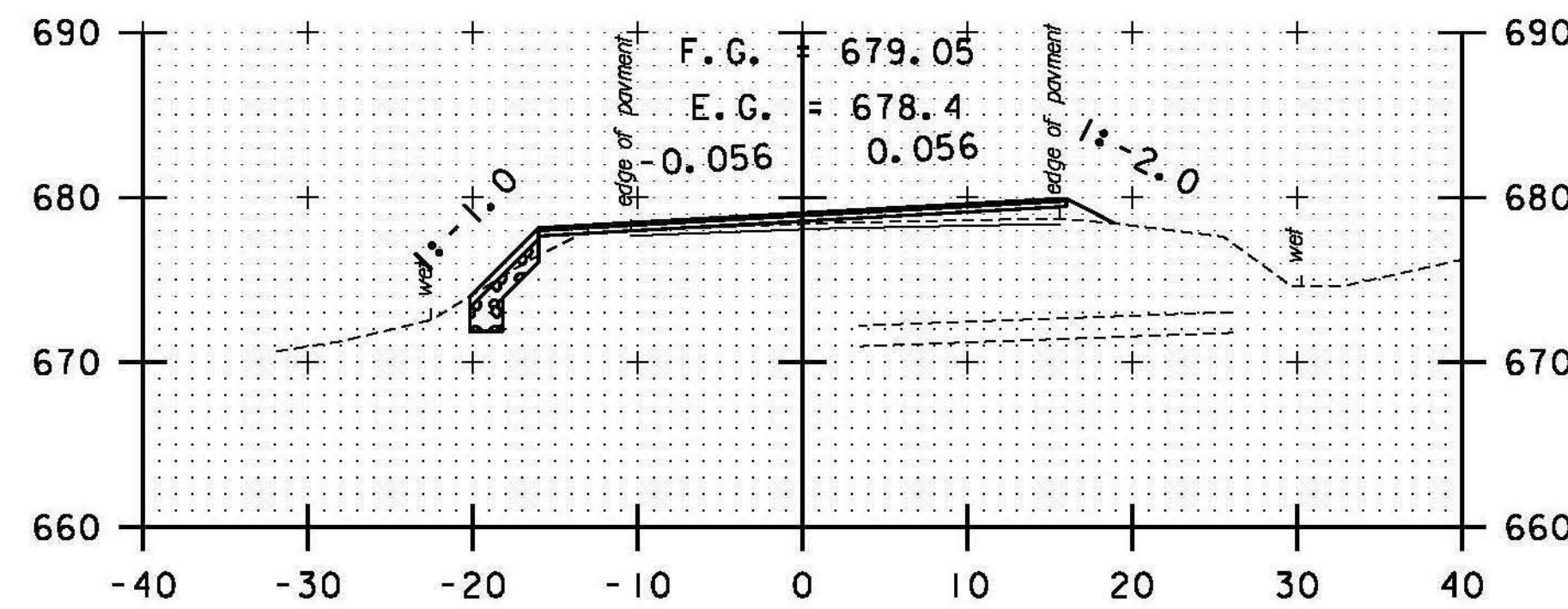
369+00



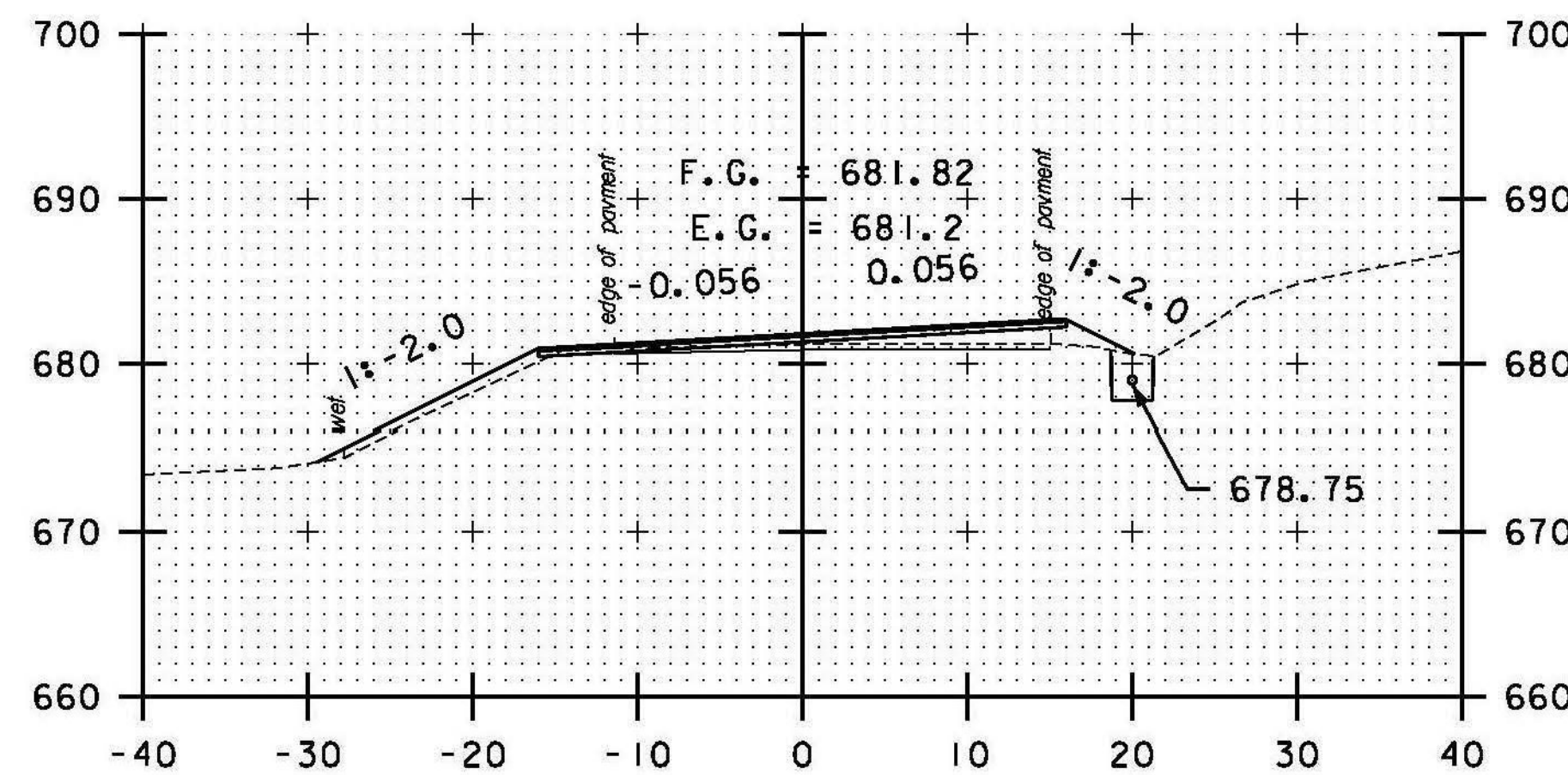
368+50



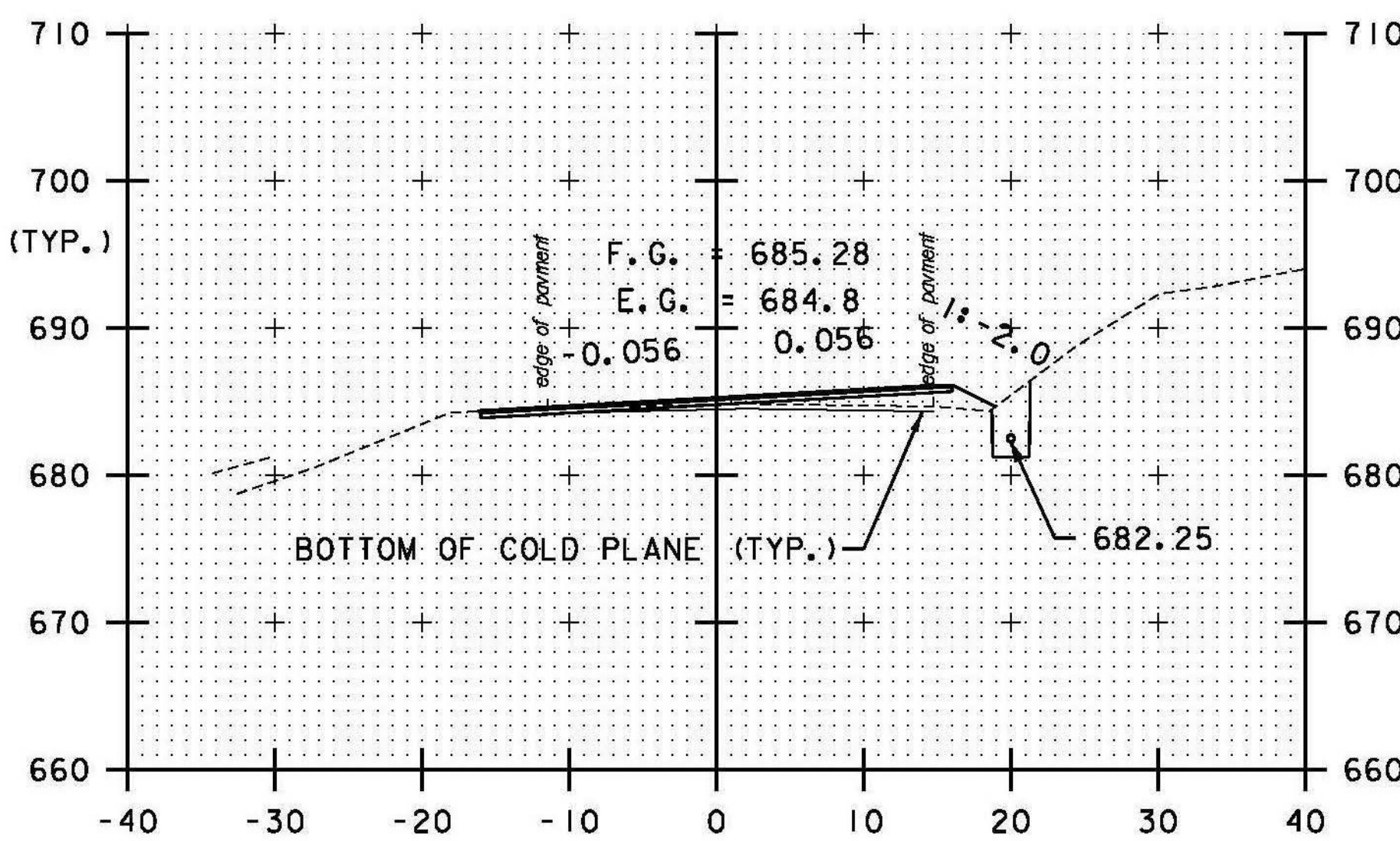
368+00



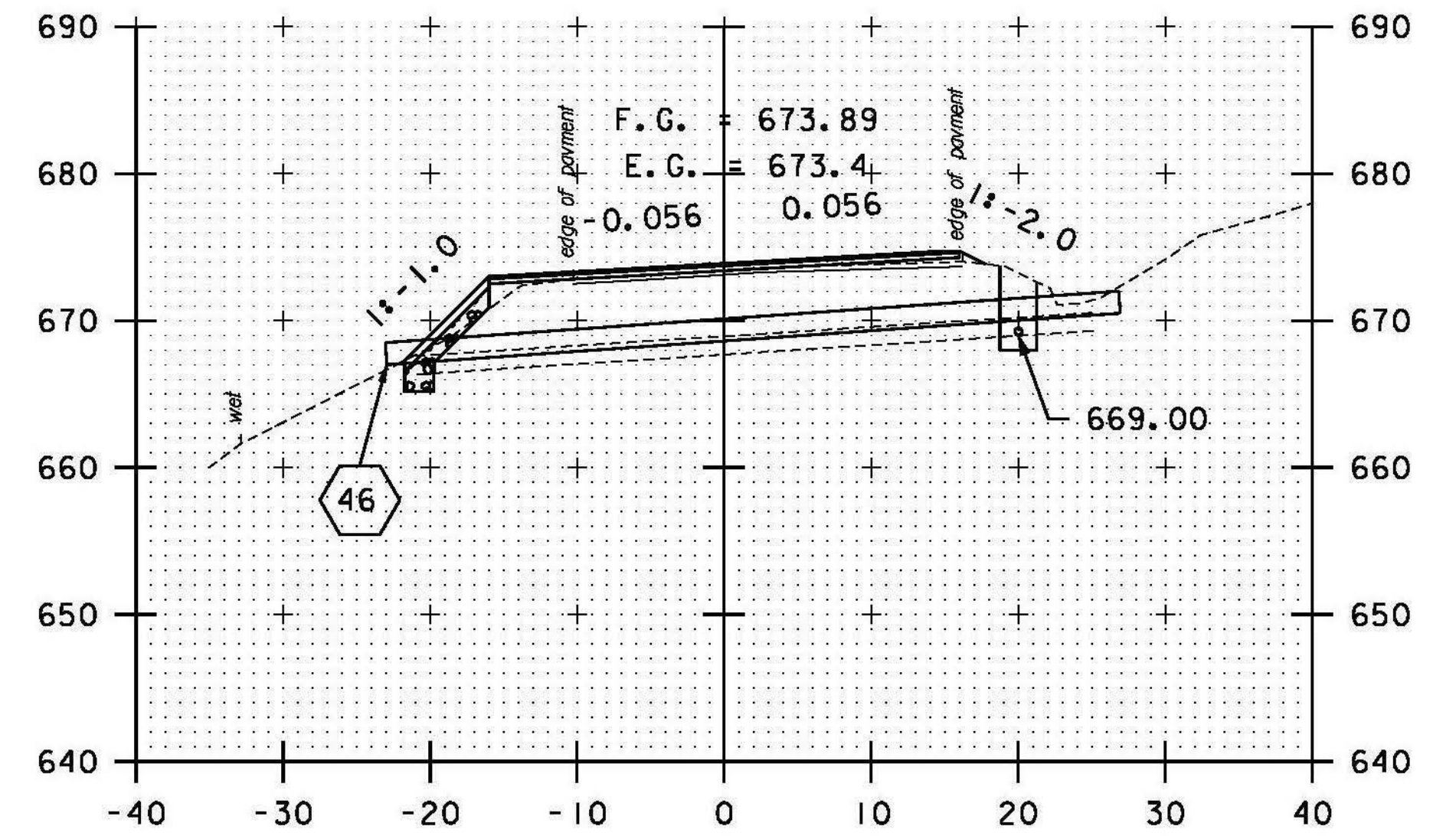
370+50



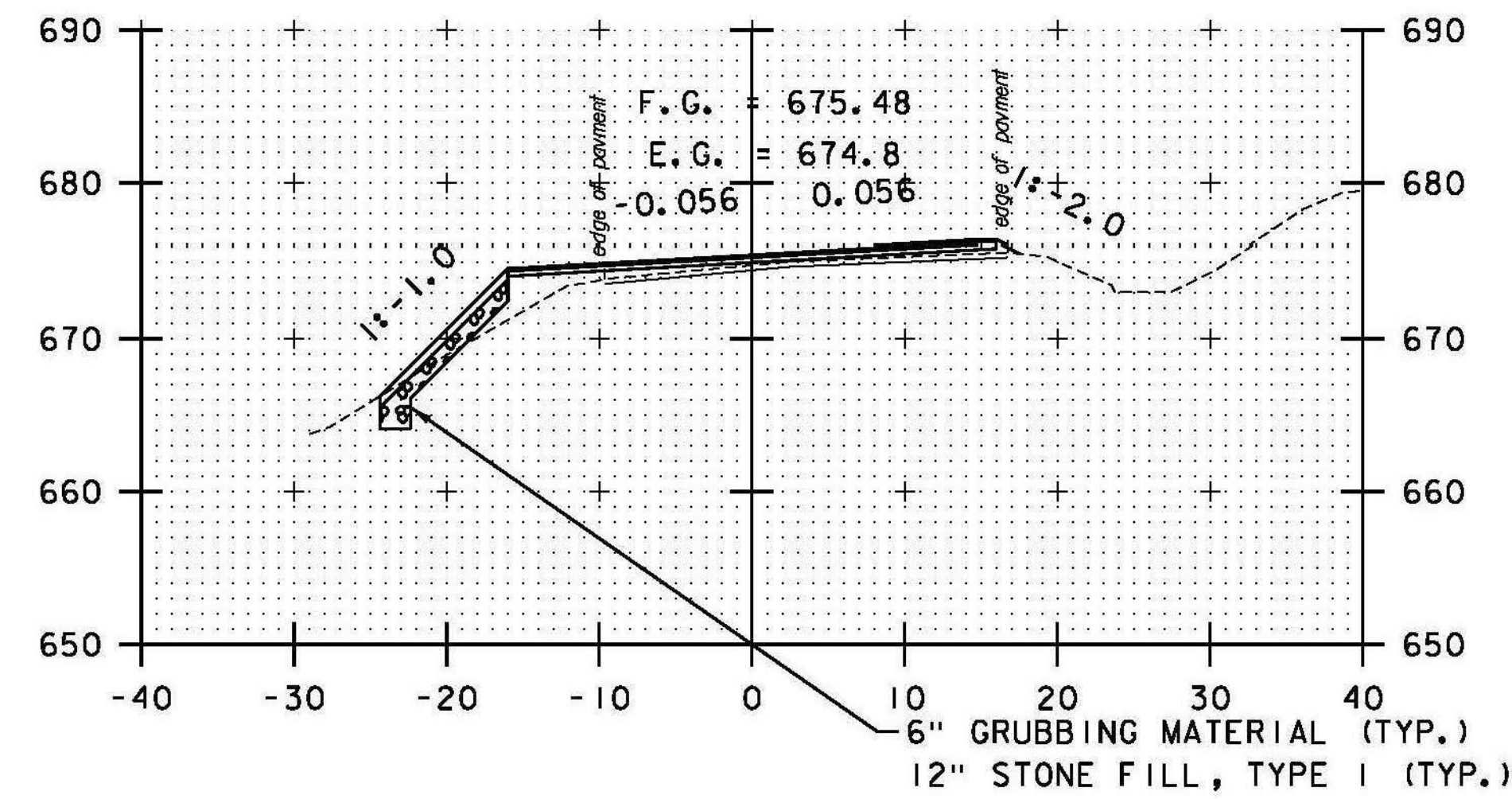
370+00



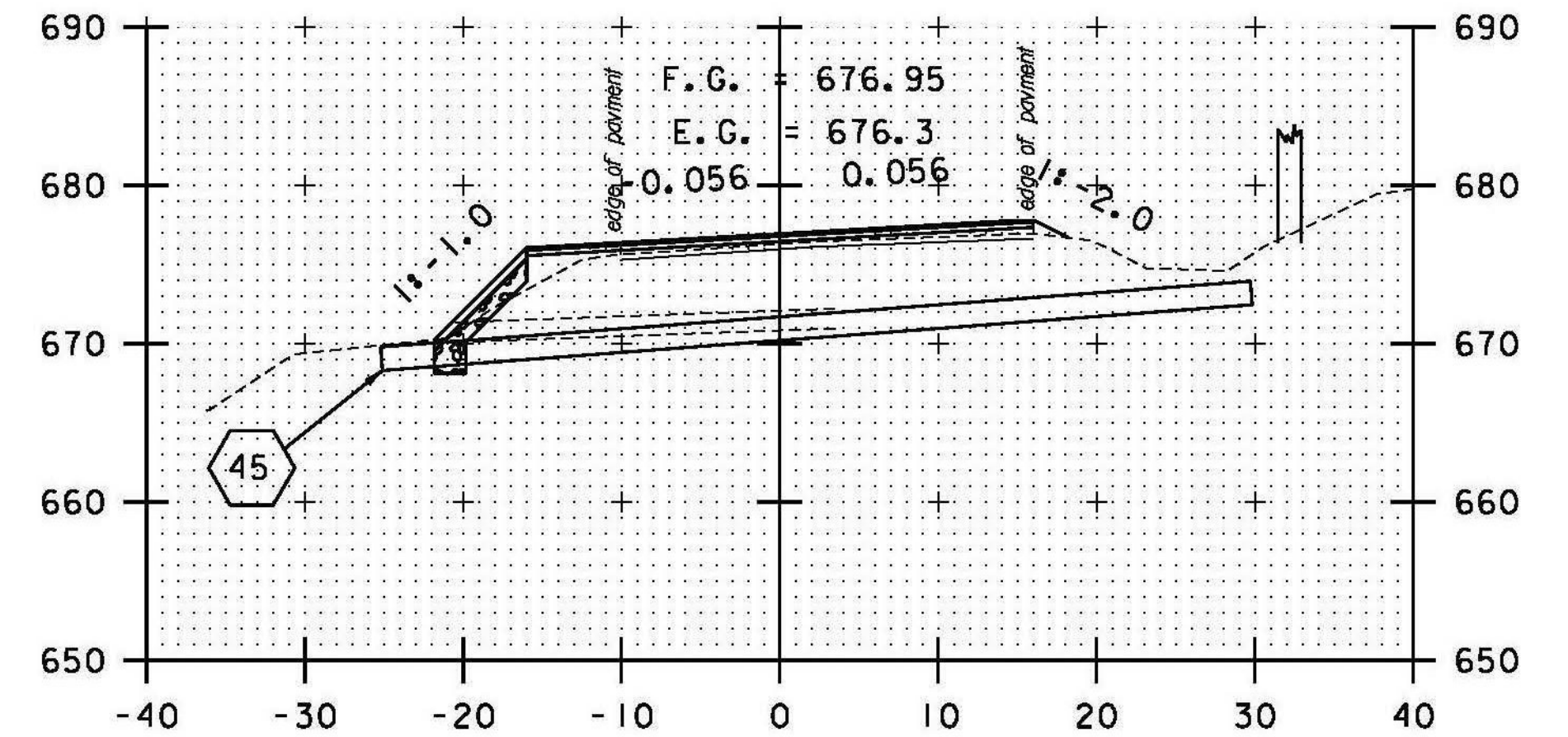
369+50



372+00



371+50



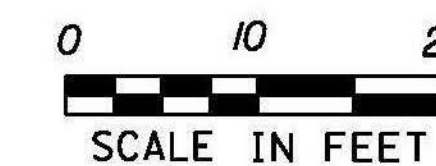
371+00

45 STA. 370+64.88 RT 29.82' TO
 STA. 370+86.38 LT 25.11'
 REMOVE HEADWALL AND PIPE
 INSTALL 18" CPEP (59'-0")
 INV. IN = 672.45'
 INV. OUT = 668.30'

46 STA. 371+76.09 LT 22.94' TO
 STA. 371+79.70 RT 26.92'
 REMOVE HEADWALL AND PIPE
 INSTALL 18" CPEP (50'-0")
 INV. IN = 670.50'
 INV. OUT = 667.00'

STA. 368+00 TO STA. 372+00

DATUM
 VERTICAL NAVD 88
 HORIZONTAL NAD 83 (07)



PROJECT NAME: RANDOLPH
 PROJECT NUMBER: STP 2932 (1)

FILE NAME: z10c270.dgn
 PROJECT LEADER: C. LATHROP
 DESIGNED BY: B. BRESLEND
 VT 66 CROSS SECTION SHEET 80

PLOT DATE: 6/5/2014
 DRAWN BY: B. BRESLEND
 CHECKED BY: C. LATHROP
 SHEET 236 OF 276