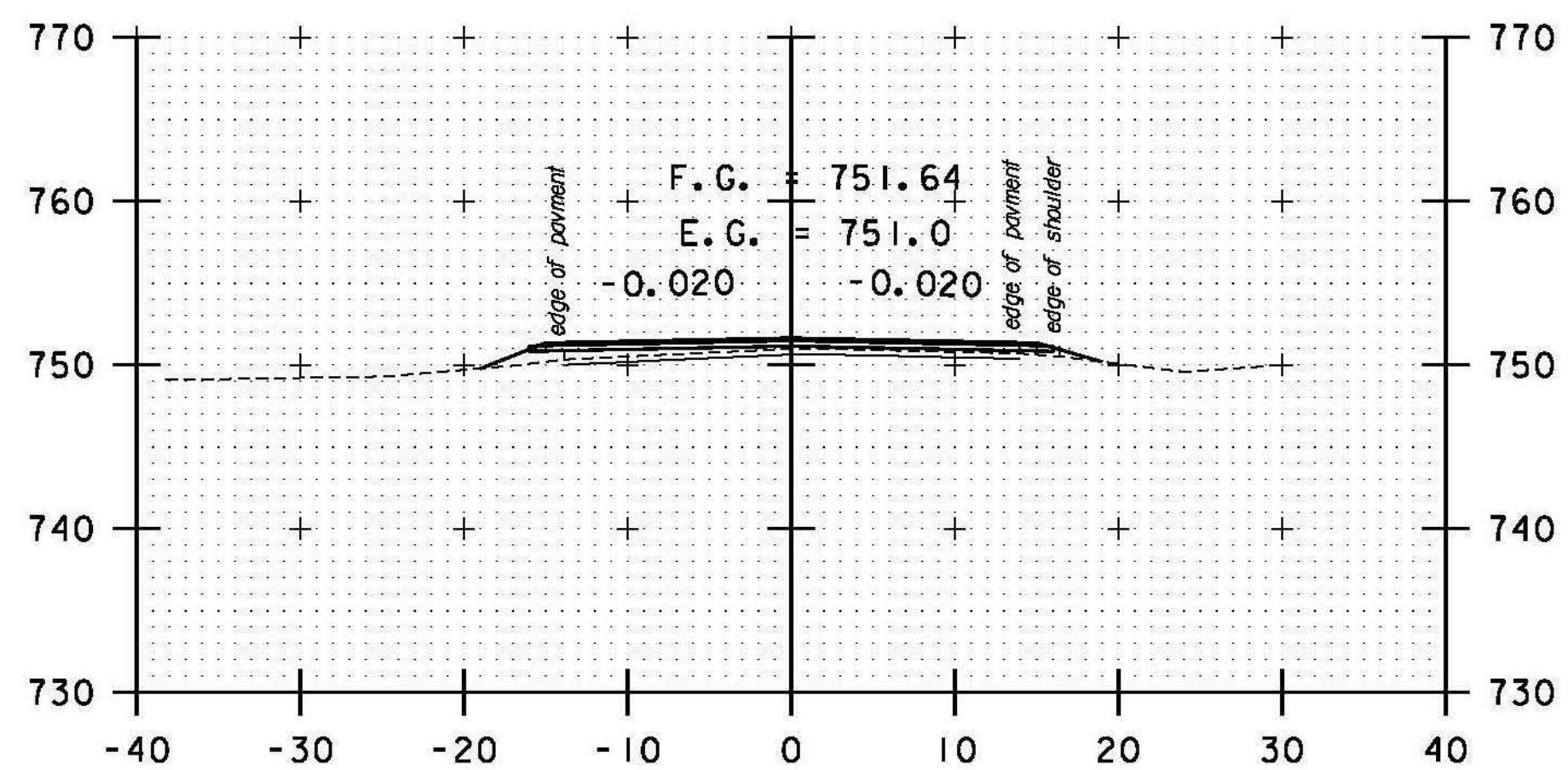
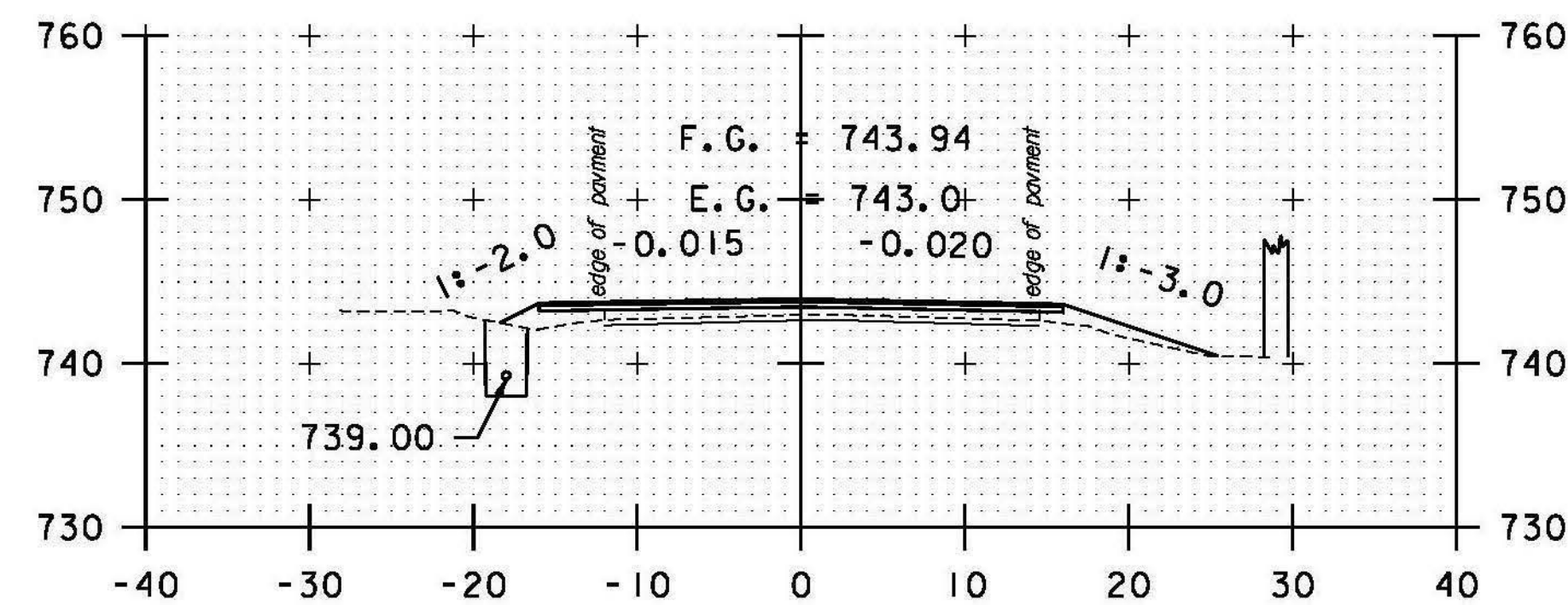


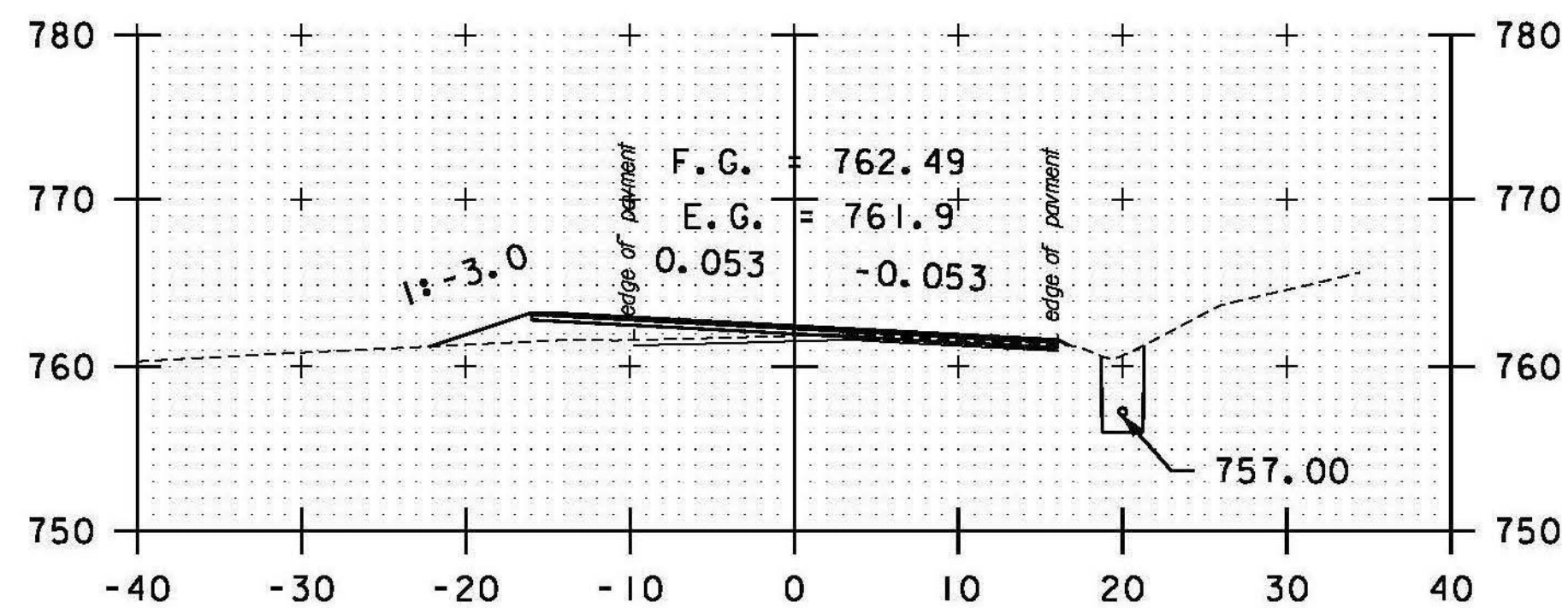
356+00



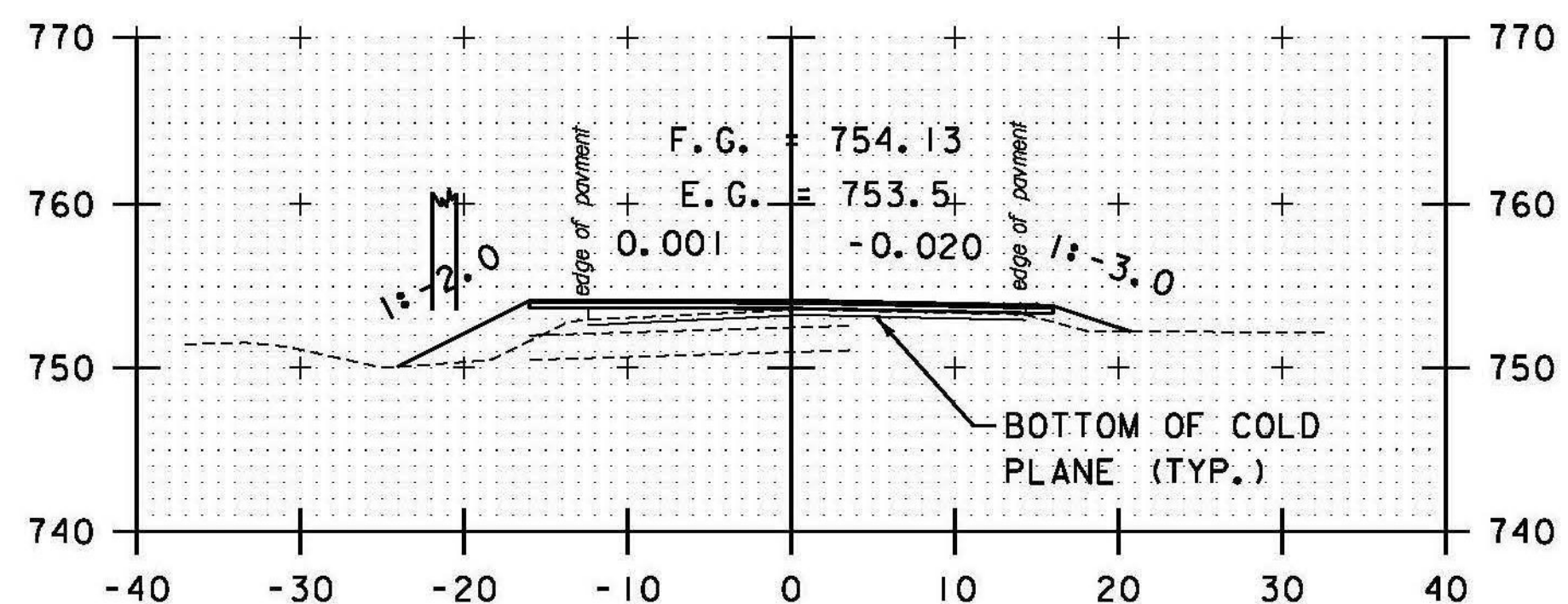
DRIVE LT / RT
357+50



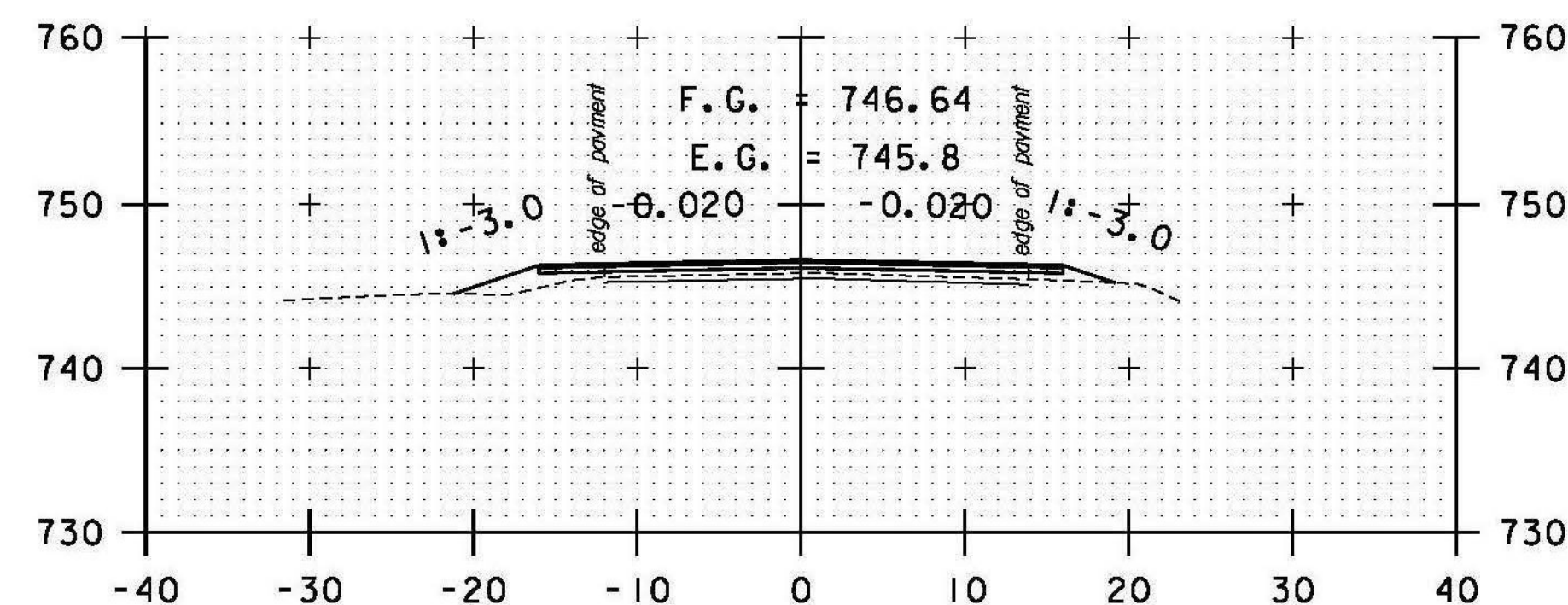
359+00



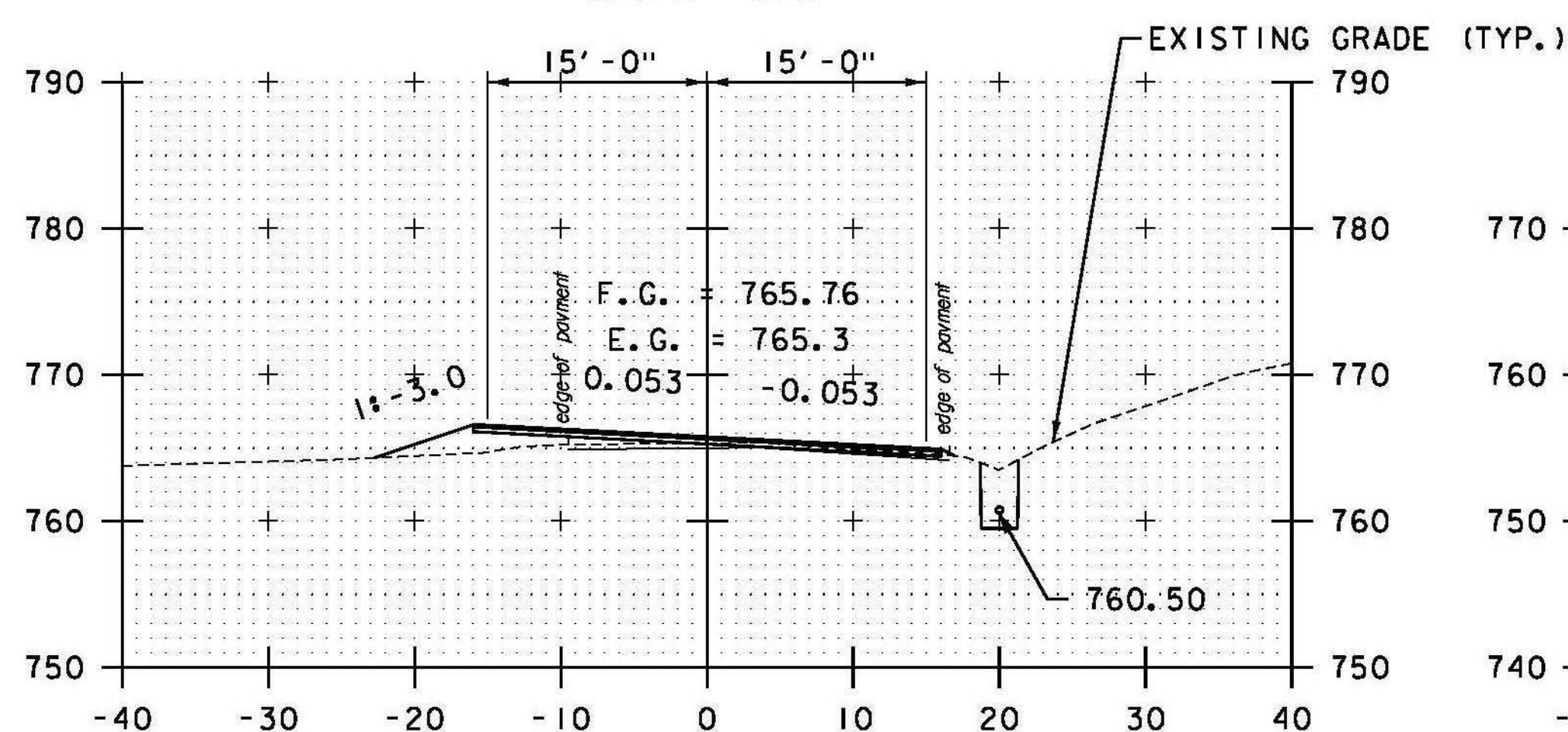
355+50



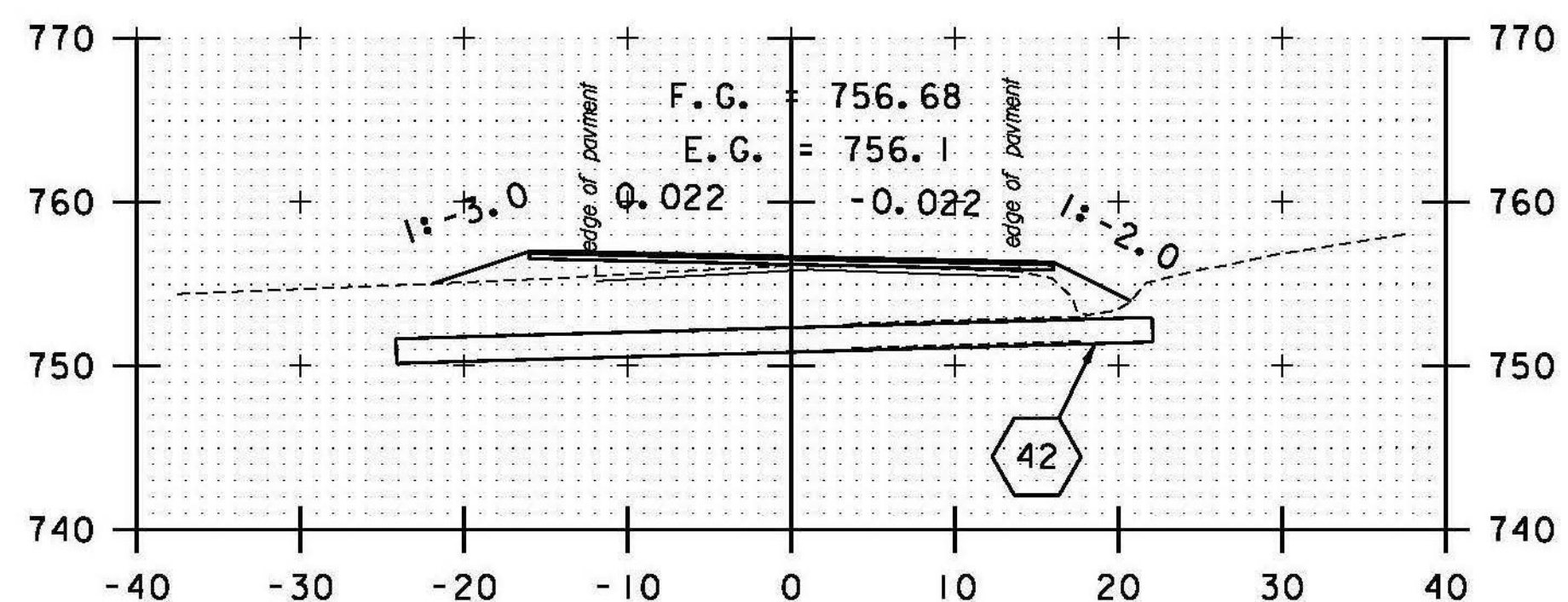
357+00



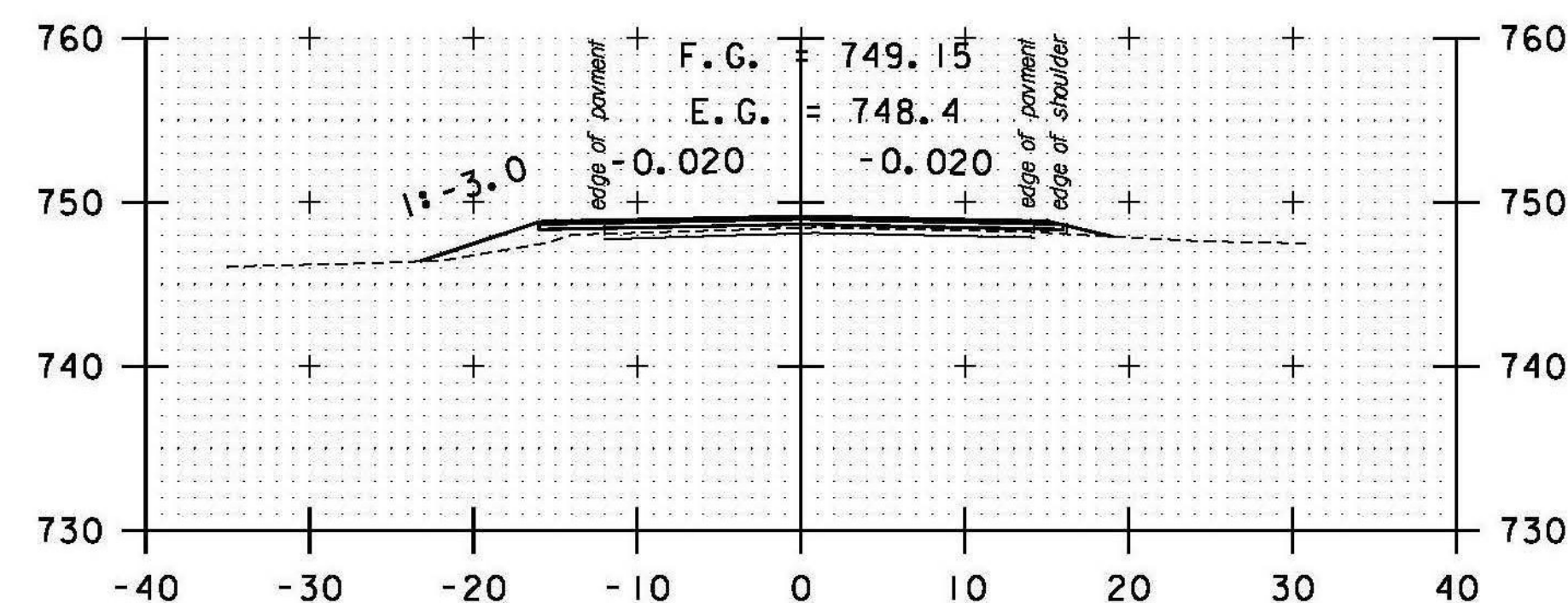
358+50



355+00



356+50

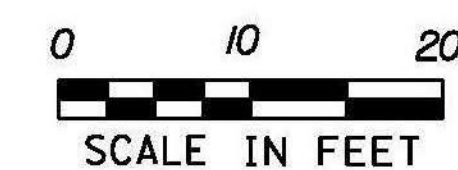


DRIVE RT
358+00

42 STA. 356+55.64 RT 22.10' TO
STA. 357+04.16 LT 24.11'
REMOVE HEADWALL AND PIPE
INSTALL 18" CPEP (67'-0")
INV. IN = 751.45'
INV. OUT = 750.15'

STA. 355+00 TO STA. 359+00

DATUM
VERTICAL NAVD 88
HORIZONTAL NAD 83 (07)



PROJECT NAME: RANDOLPH
PROJECT NUMBER: STP 2932 (1)

FILE NAME: z10c270.dgn
PROJECT LEADER: C. LATHROP
DESIGNED BY: B. BRESLEND
VT 66 CROSS SECTION SHEET 77

PLOT DATE: 6/5/2014
DRAWN BY: B. BRESLEND
CHECKED BY: C. LATHROP
SHEET 233 OF 276