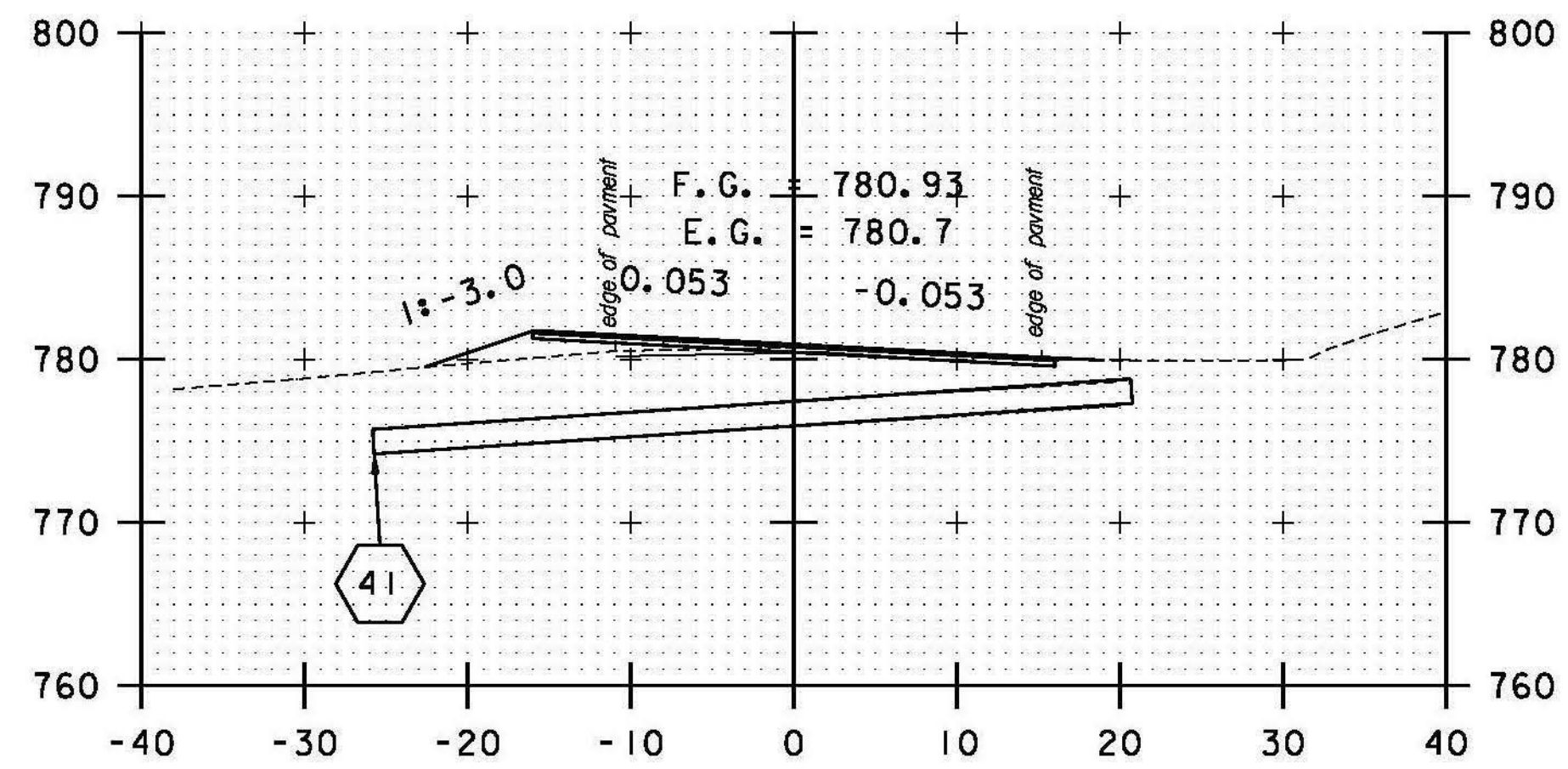
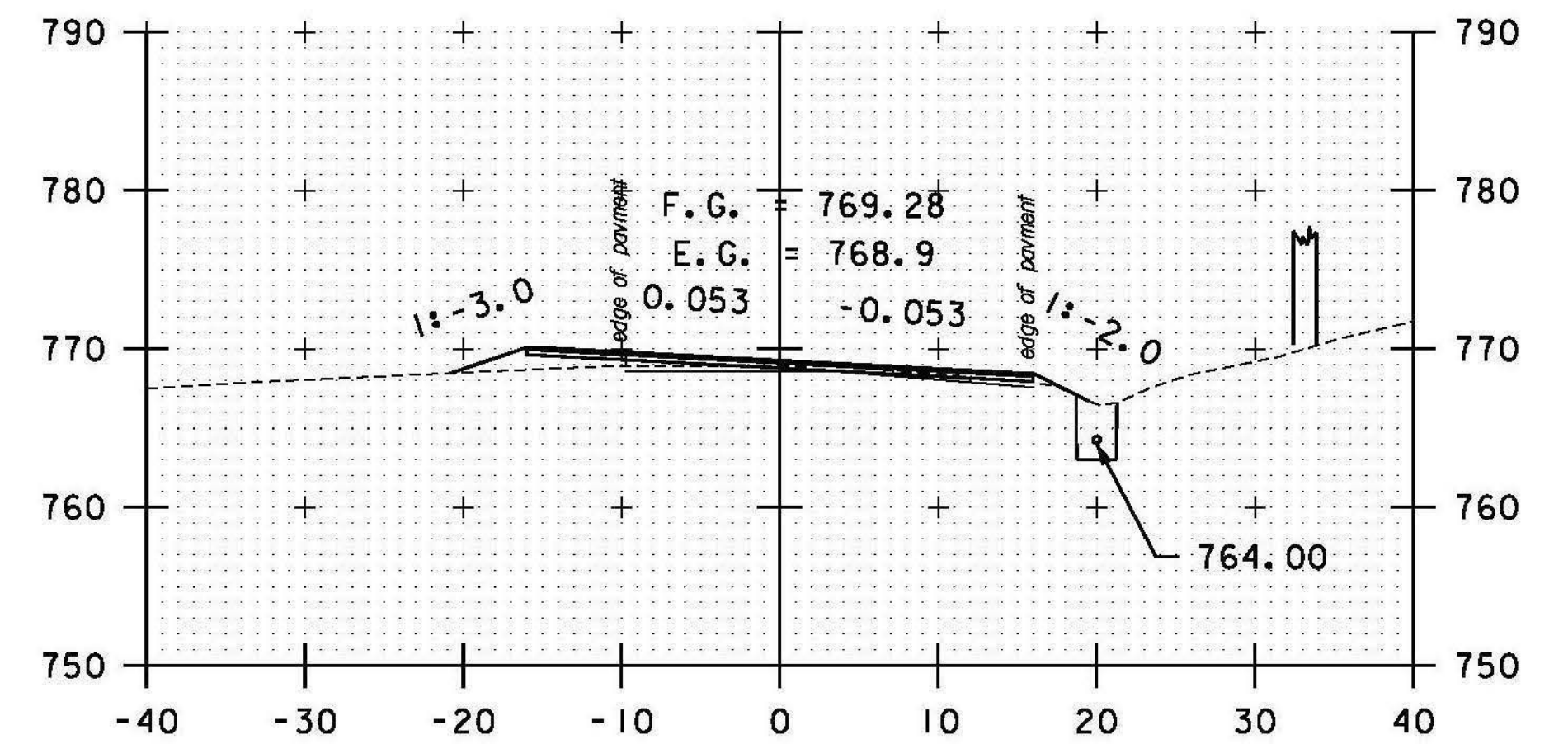


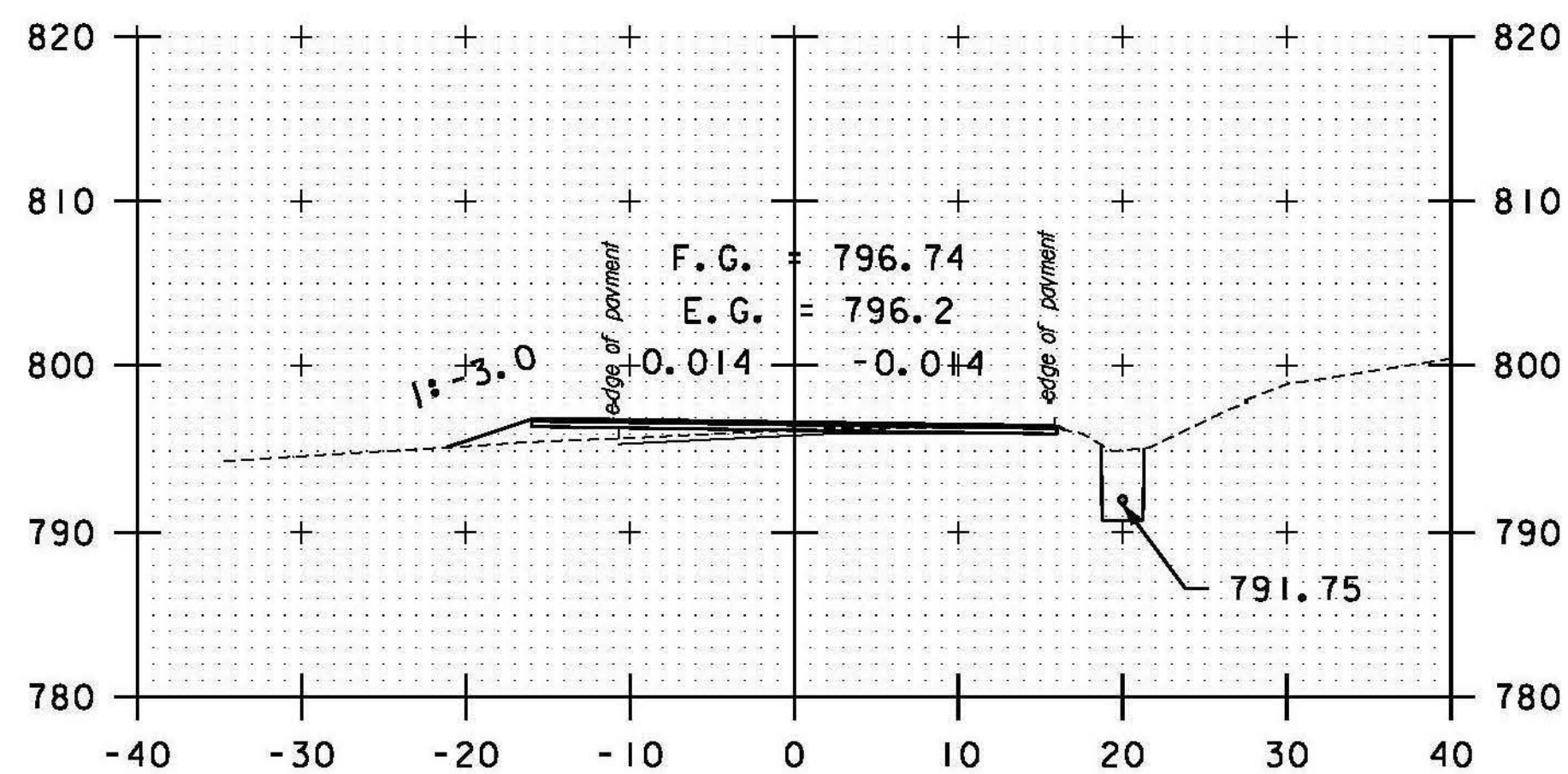
351+50



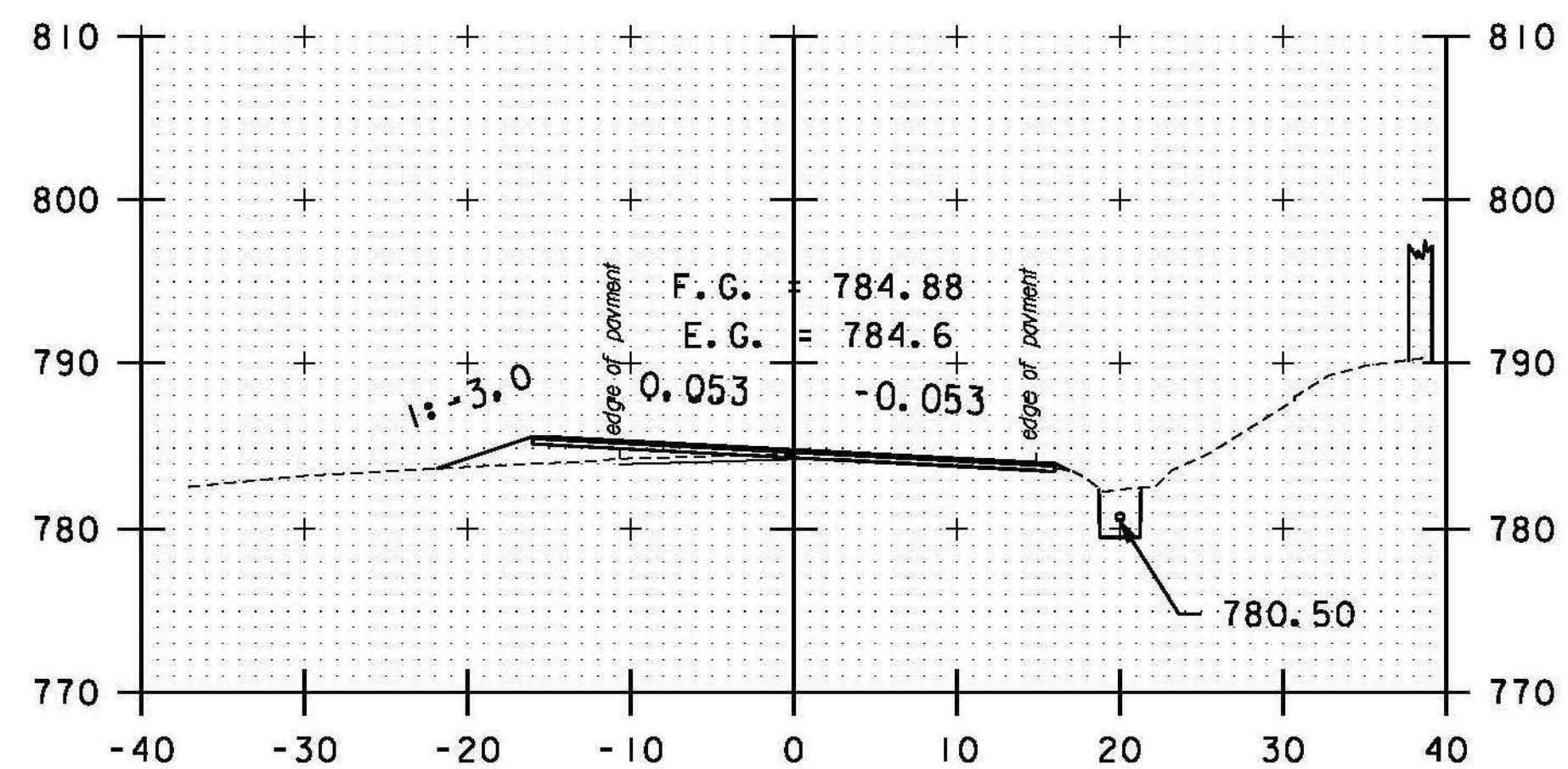
DRIVE RT
353+00



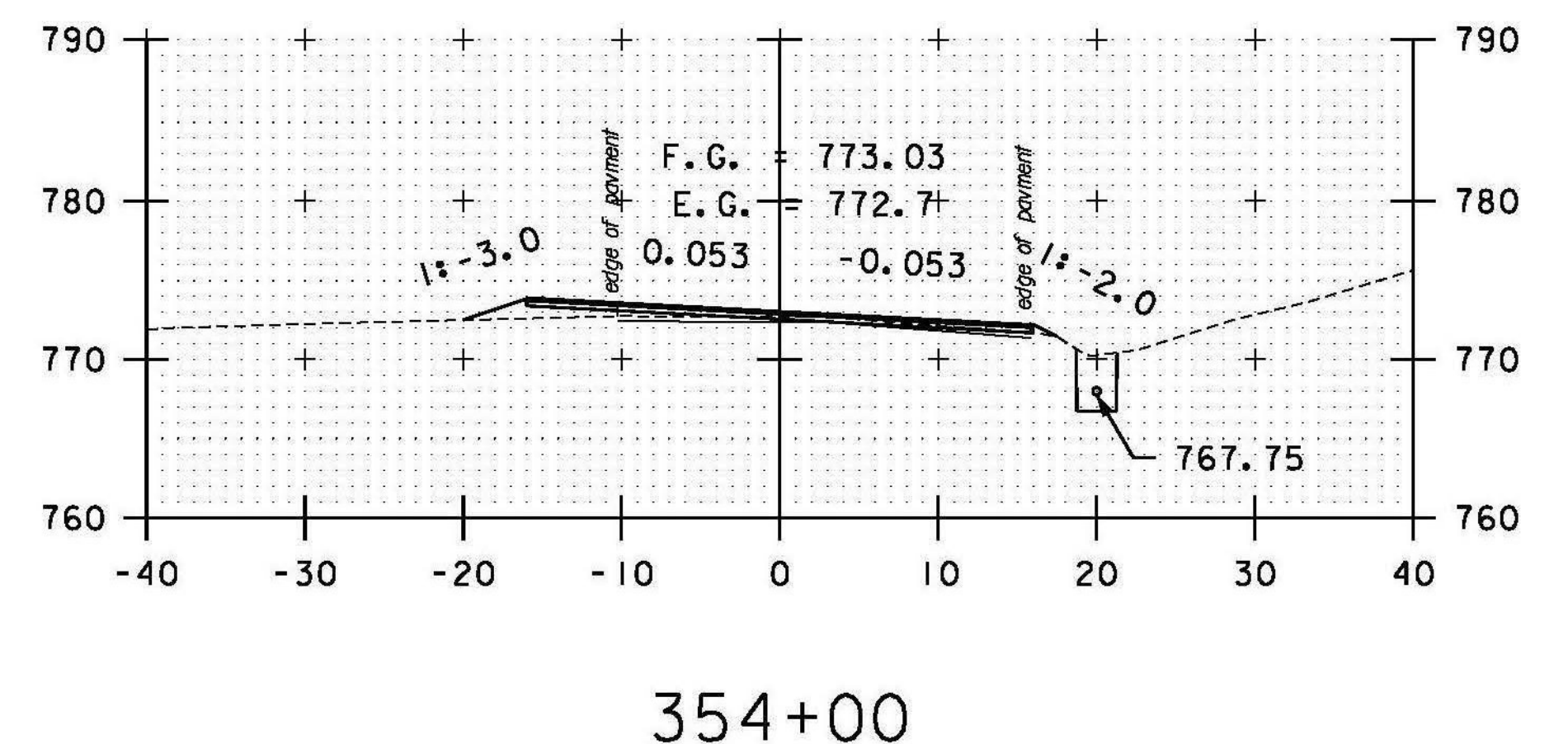
354+50



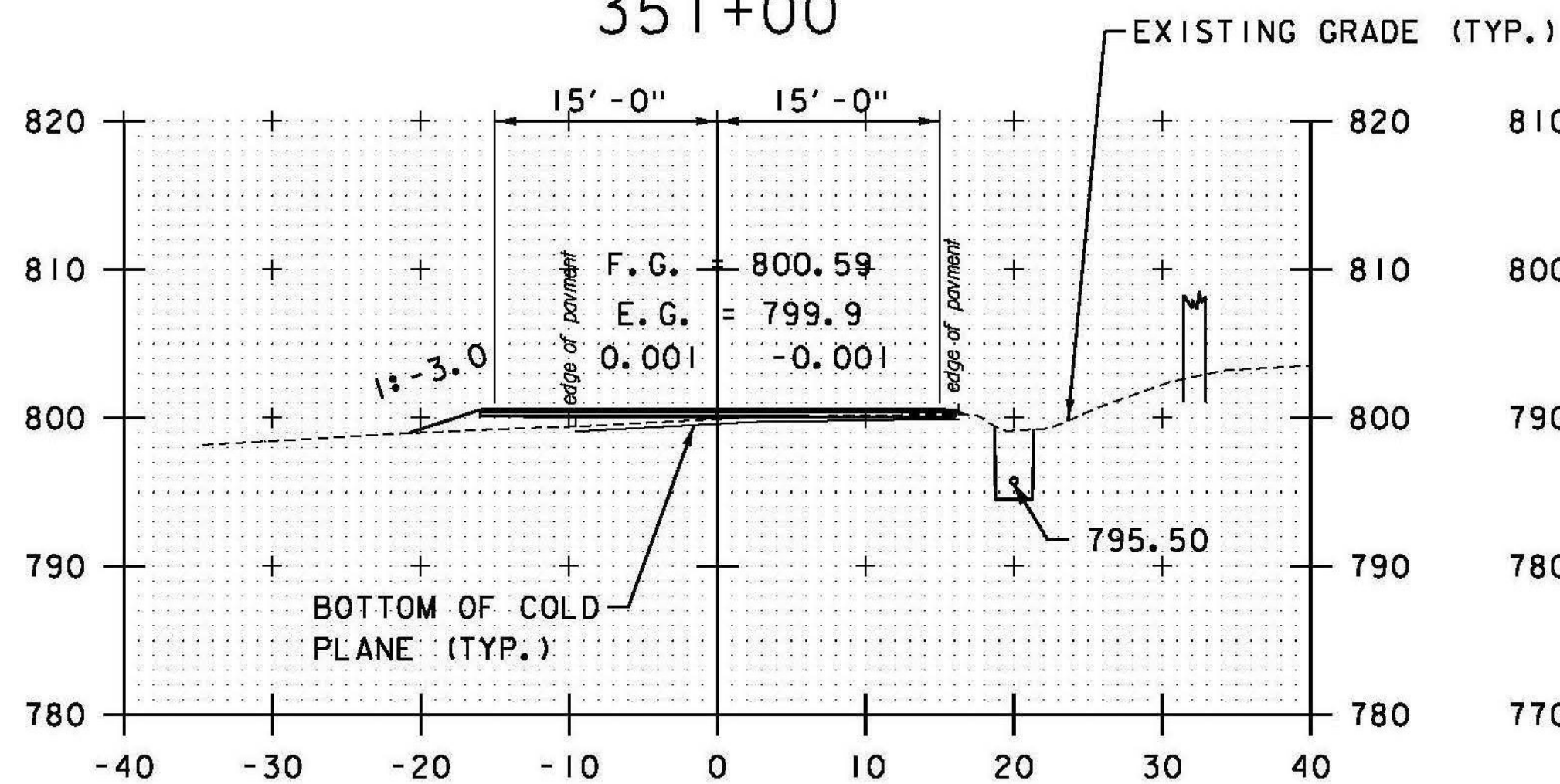
351+00



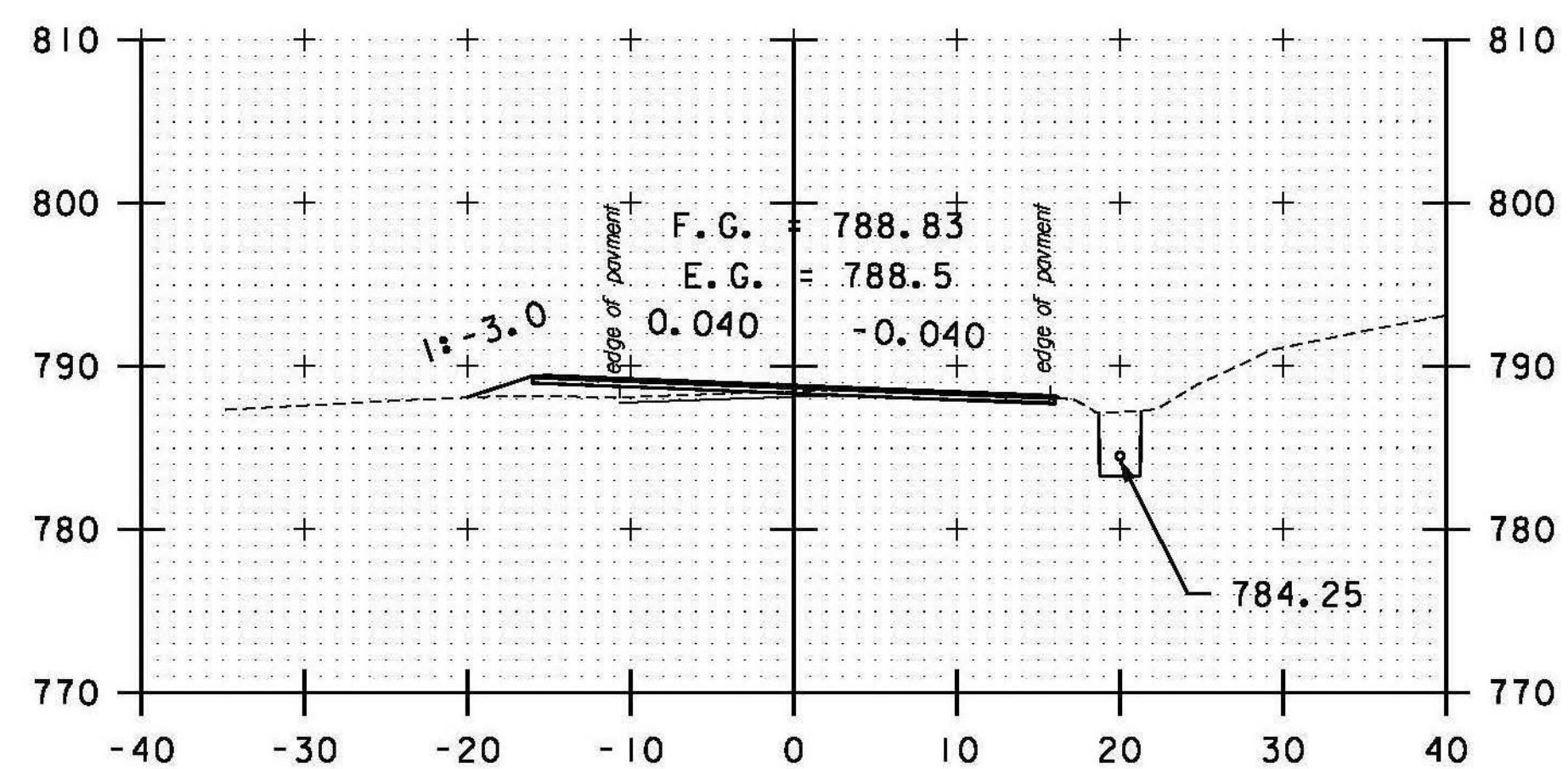
352+50



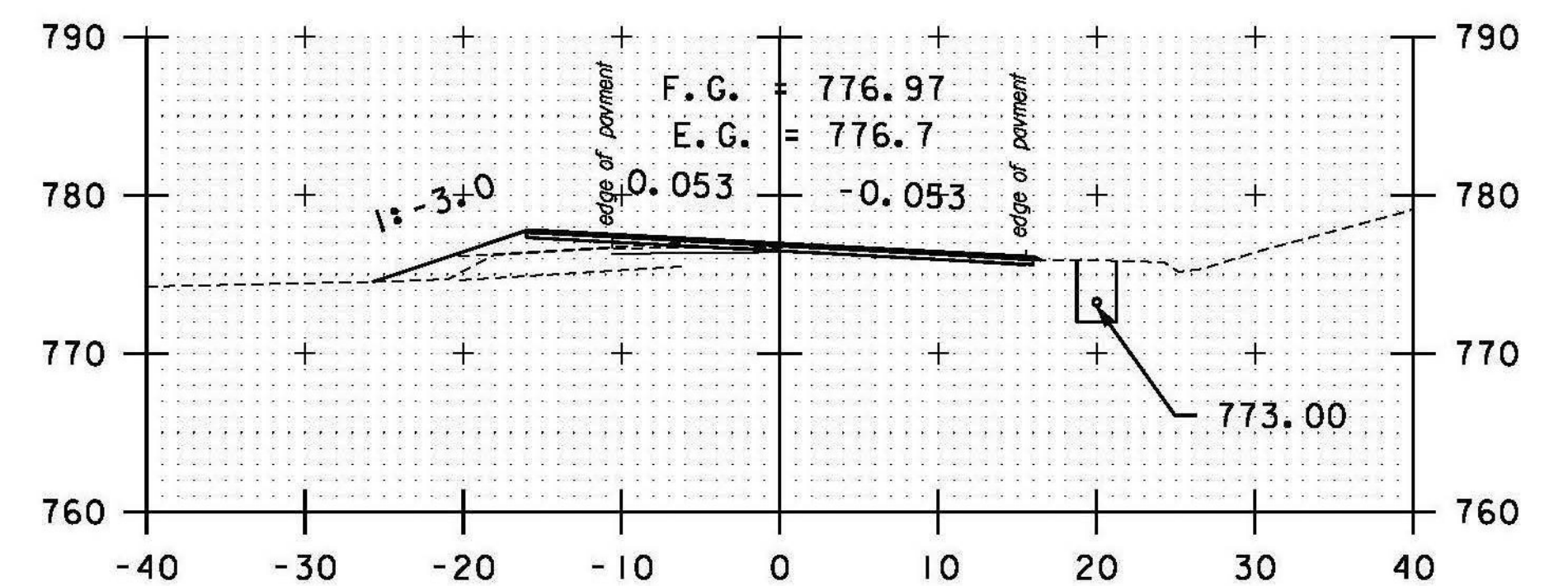
354+00



350+50



352+00

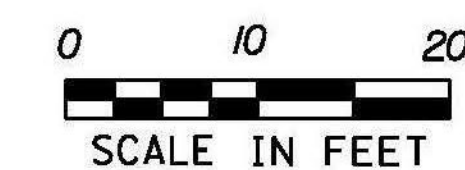


353+50

41 STA. 352+80.65 RT 20.76' TO
STA. 353+55.28 LT 25.72'
REMOVE HEADWALL AND PIPE
INSTALL 18" CPEP (88'-0")
INV. IN = 777.30'
INV. OUT = 774.20'

STA. 350+50 TO STA. 354+50

DATUM
VERTICAL NAVD 88
HORIZONTAL NAD 83 (07)



PROJECT NAME: RANDOLPH
PROJECT NUMBER: STP 2932 (I)

FILE NAME: z10c270.dgn
PROJECT LEADER: C. LATHROP
DESIGNED BY: B. BRESLEND
VT 66 CROSS SECTION SHEET 76

PLOT DATE: 6/5/2014
DRAWN BY: B. BRESLEND
CHECKED BY: C. LATHROP
SHEET 232 OF 276