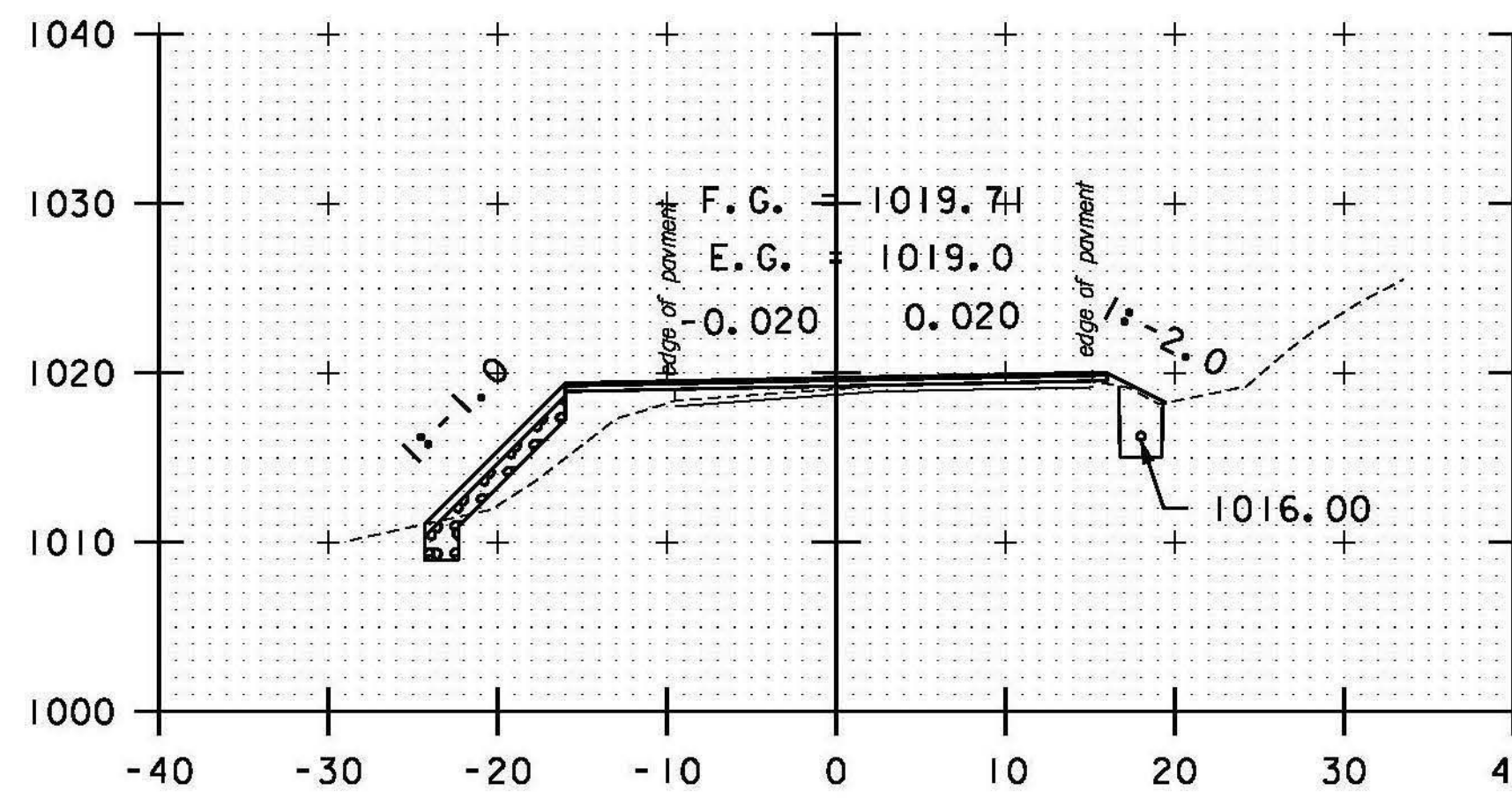
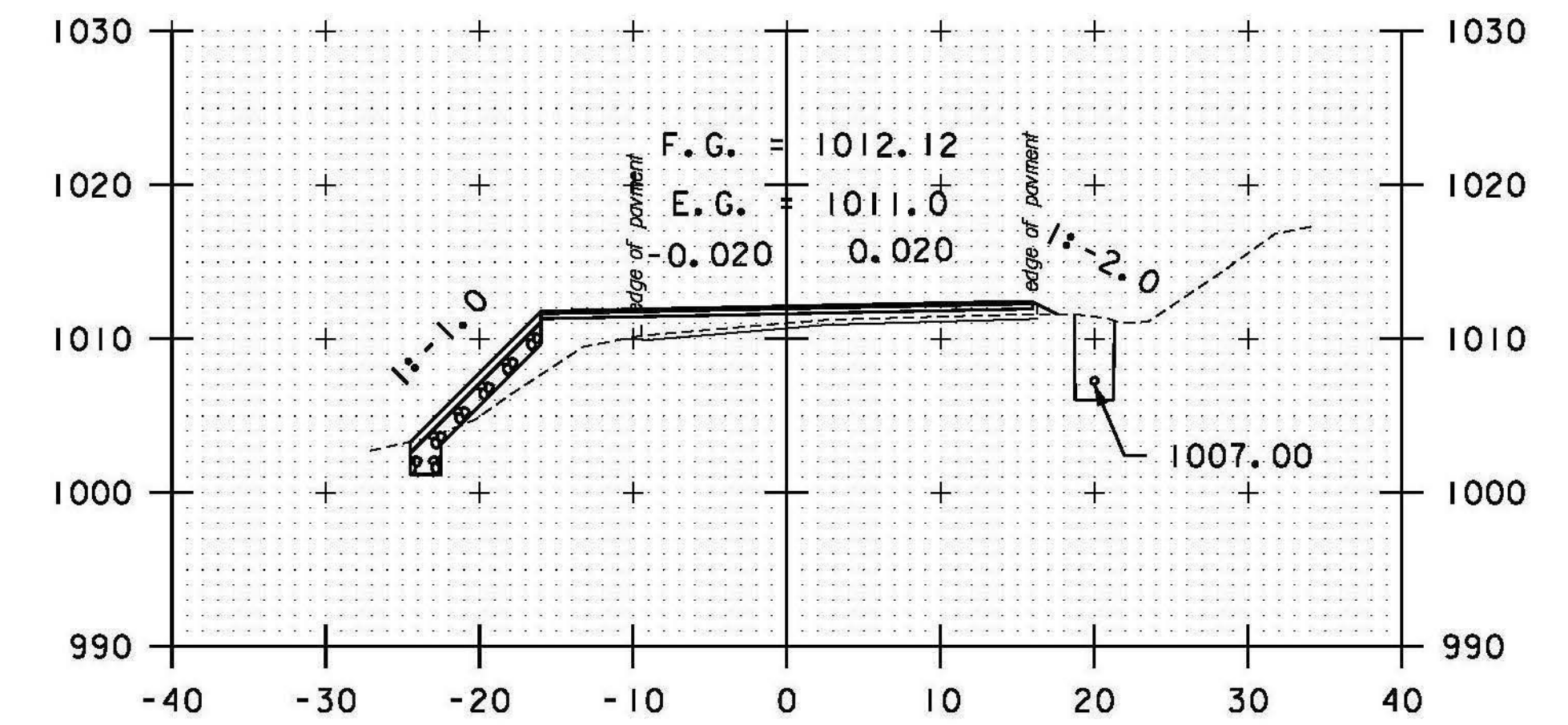


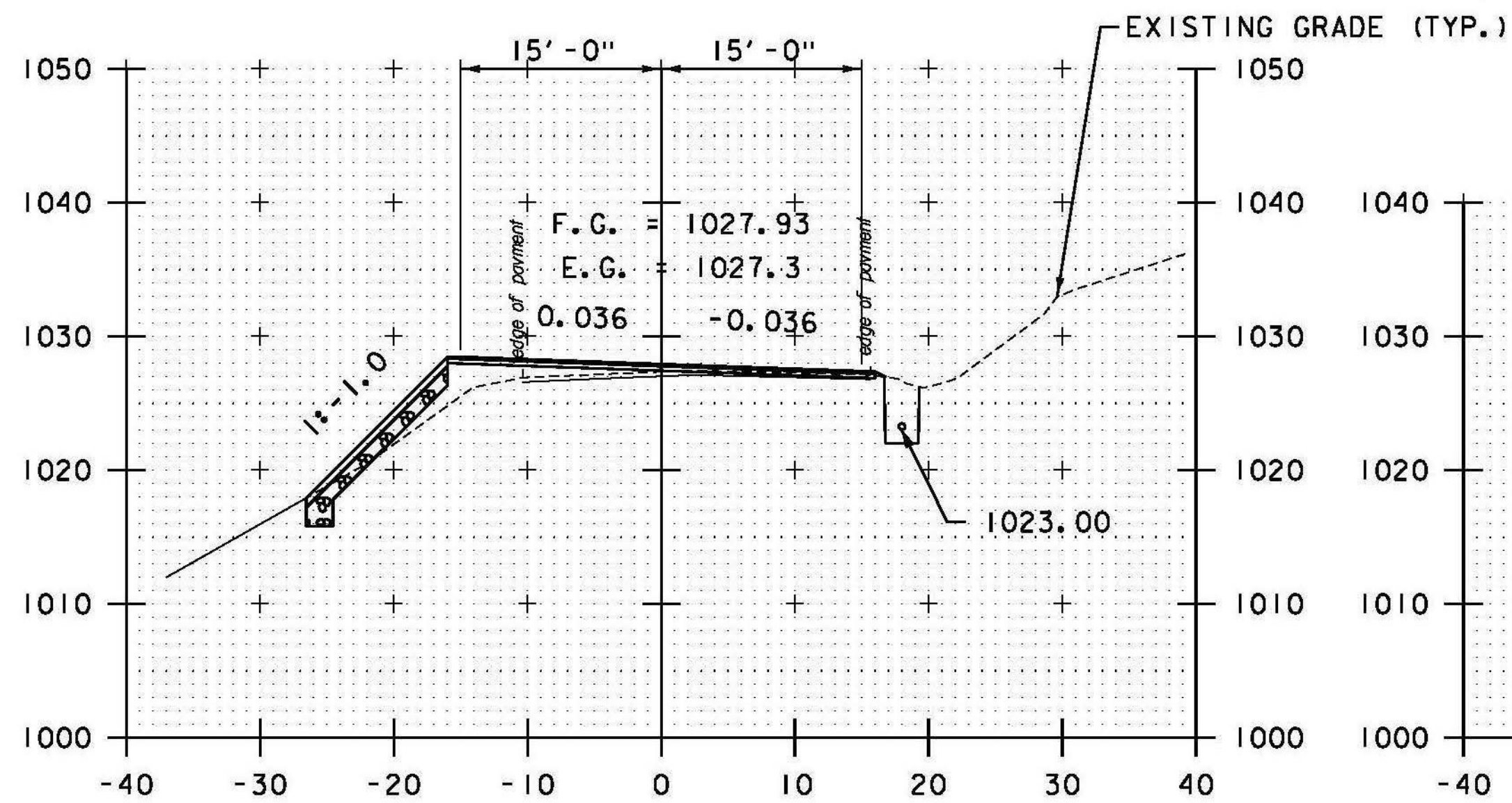
317+00



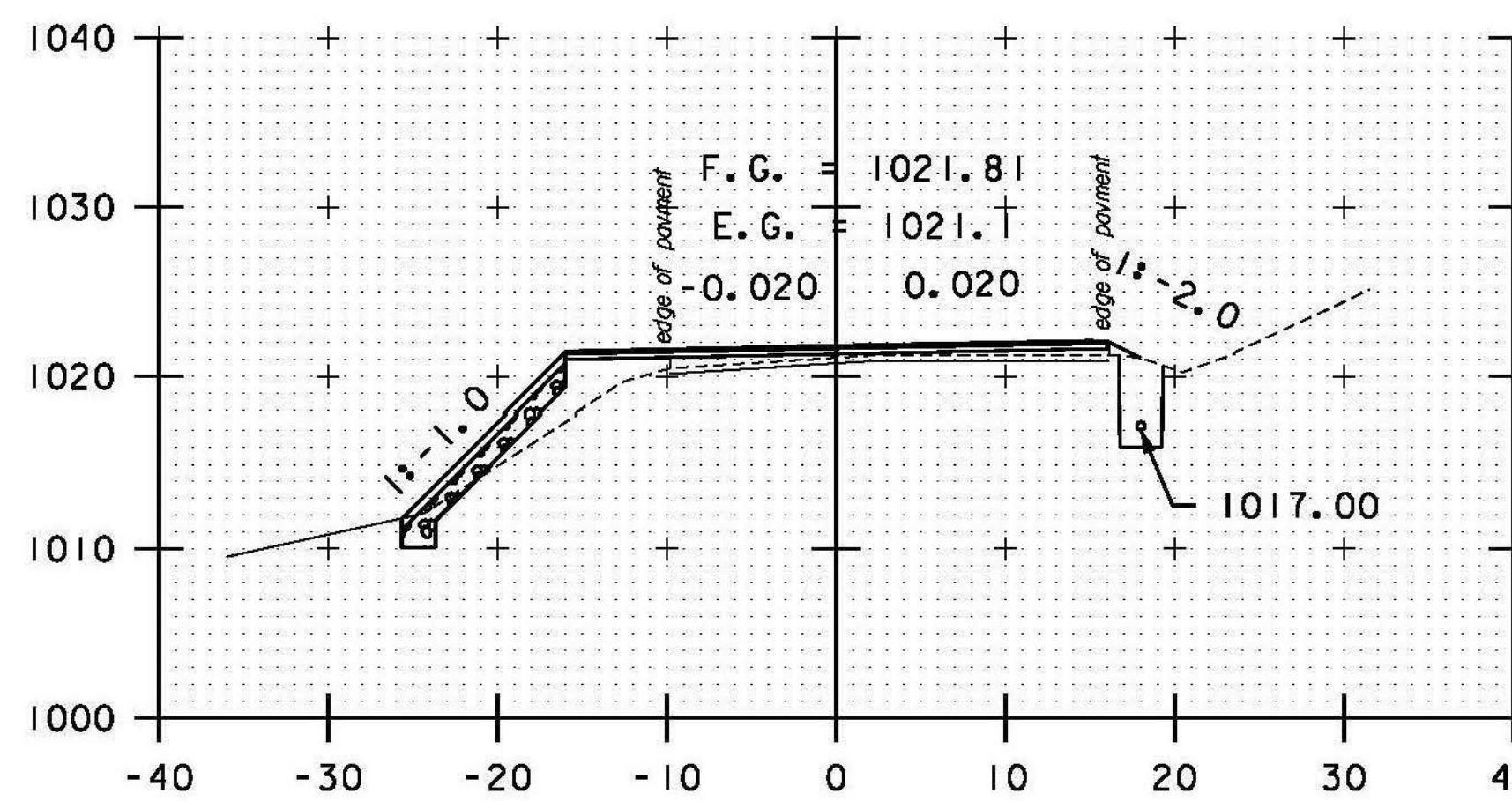
318+50



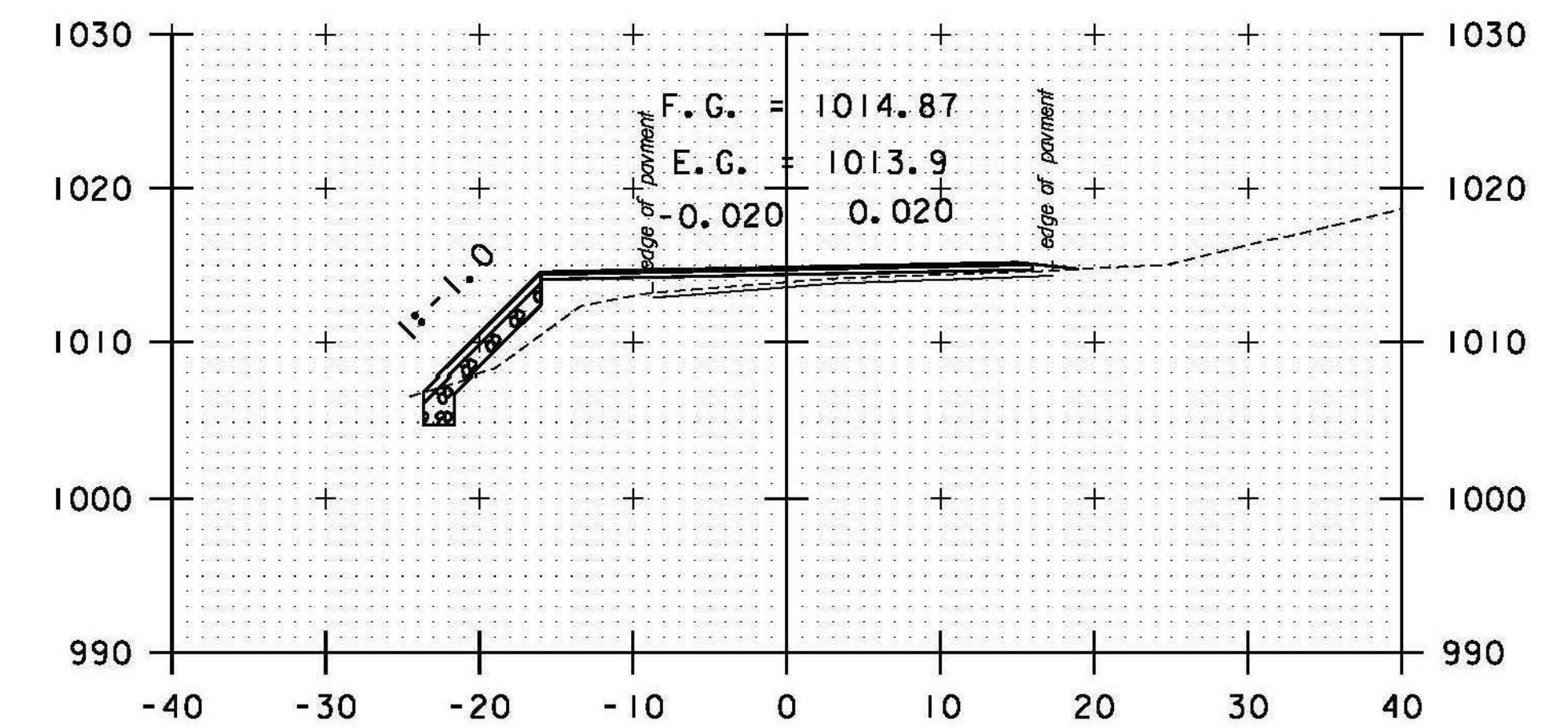
320+00



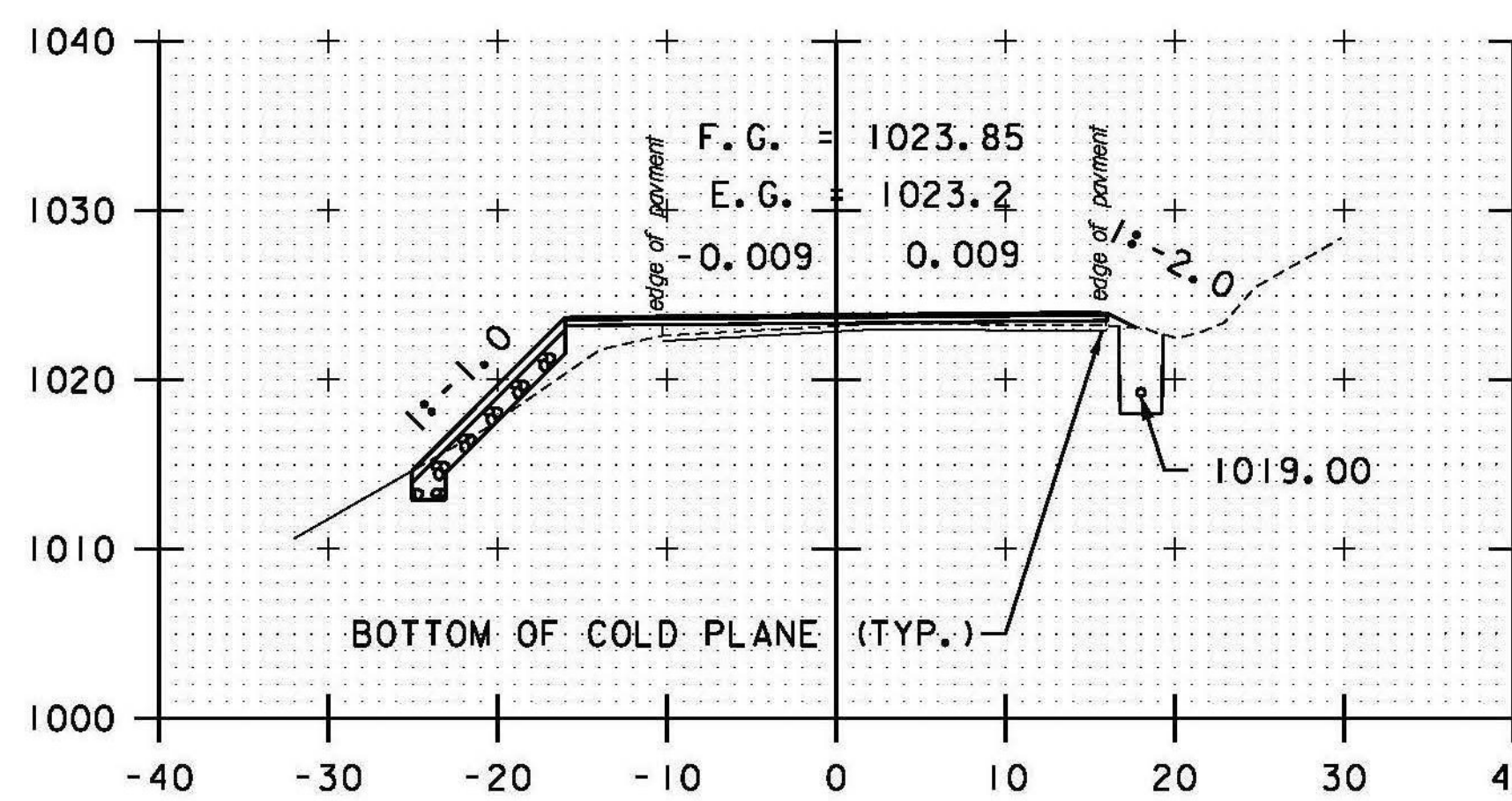
316+50



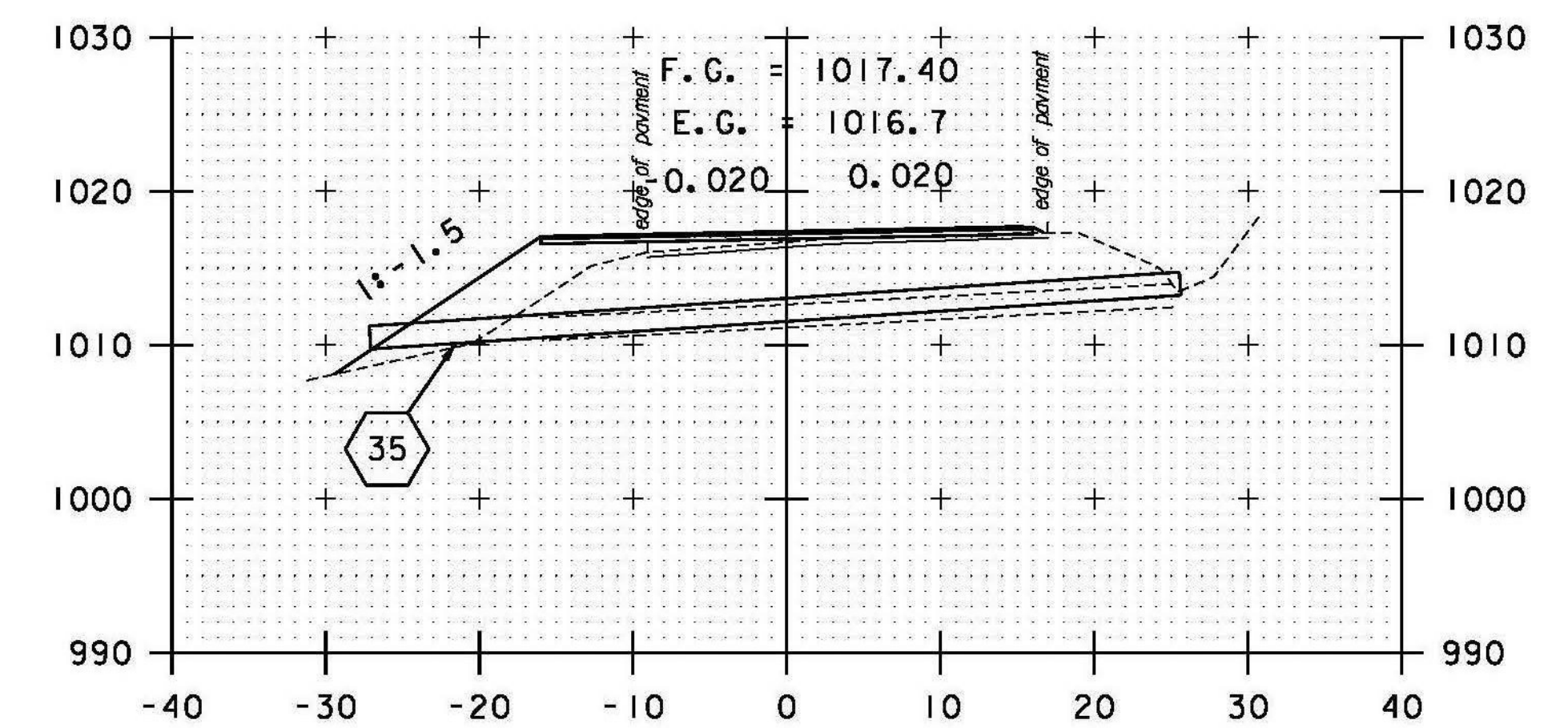
318+00



DRIVE RT  
319+50



317+50

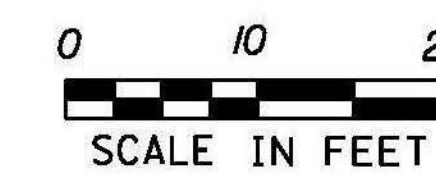


DRIVE RT  
319+00

35 STA. 319+03.74 RT 25.63' TO  
STA. 319+21.24 LT 27.06'  
REMOVE HEADWALL AND PIPE  
INSTALL 18" CPEP (55'-0")  
INV. IN = 1013.25'  
INV. OUT = 1009.75'

STA. 316+50 TO STA. 320+00

DATUM  
VERTICAL NAVD 88  
HORIZONTAL NAD 83 (07)



PROJECT NAME: RANDOLPH  
PROJECT NUMBER: STP 2932 (1)

FILE NAME: z10c270.dgn  
PROJECT LEADER: C. LATHROP  
DESIGNED BY: B. BRESLEND  
VT 66 CROSS SECTION SHEET 67

PLOT DATE: 6/5/2014  
DRAWN BY: B. BRESLEND  
CHECKED BY: C. LATHROP  
SHEET 223 OF 276