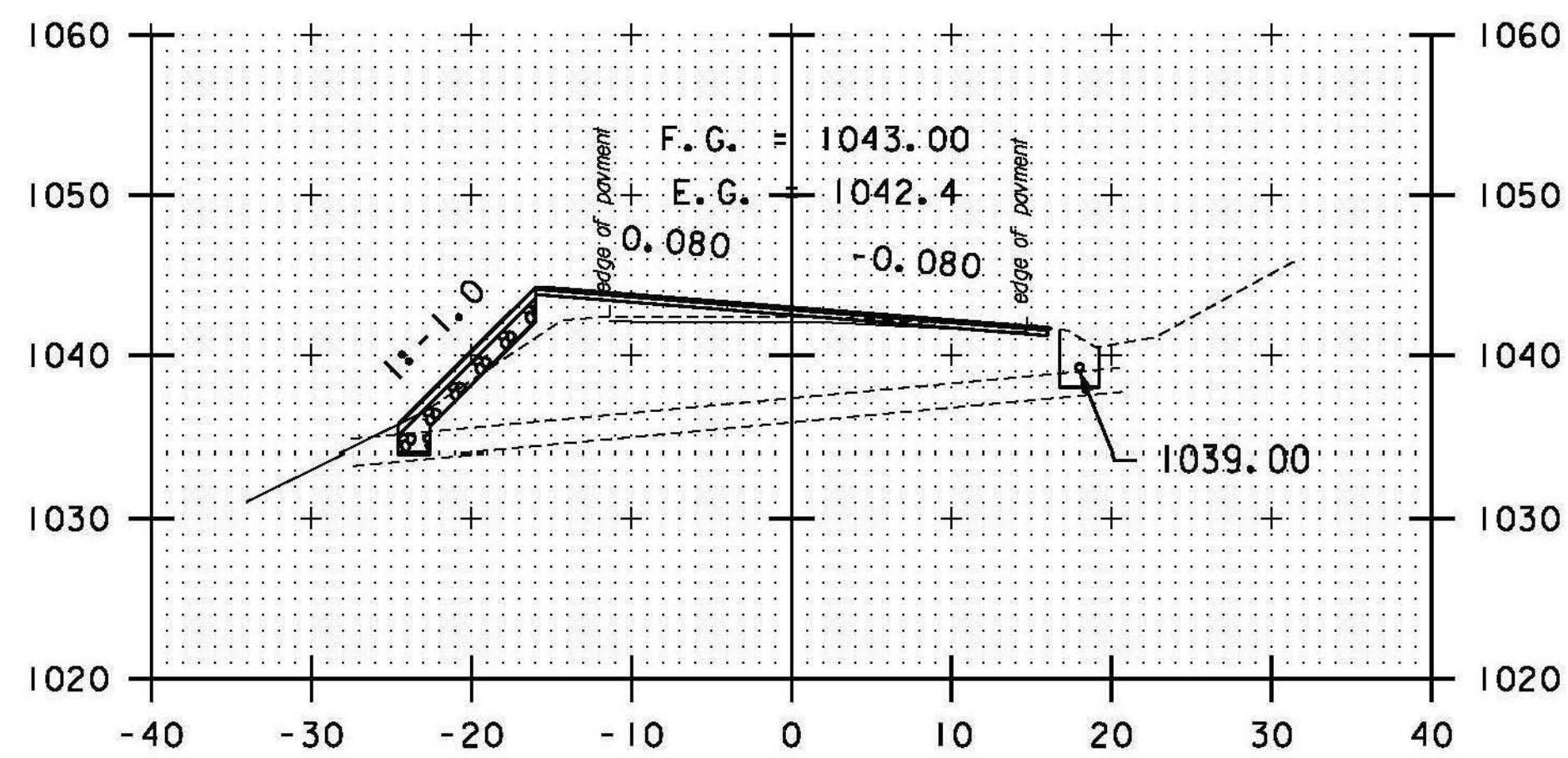
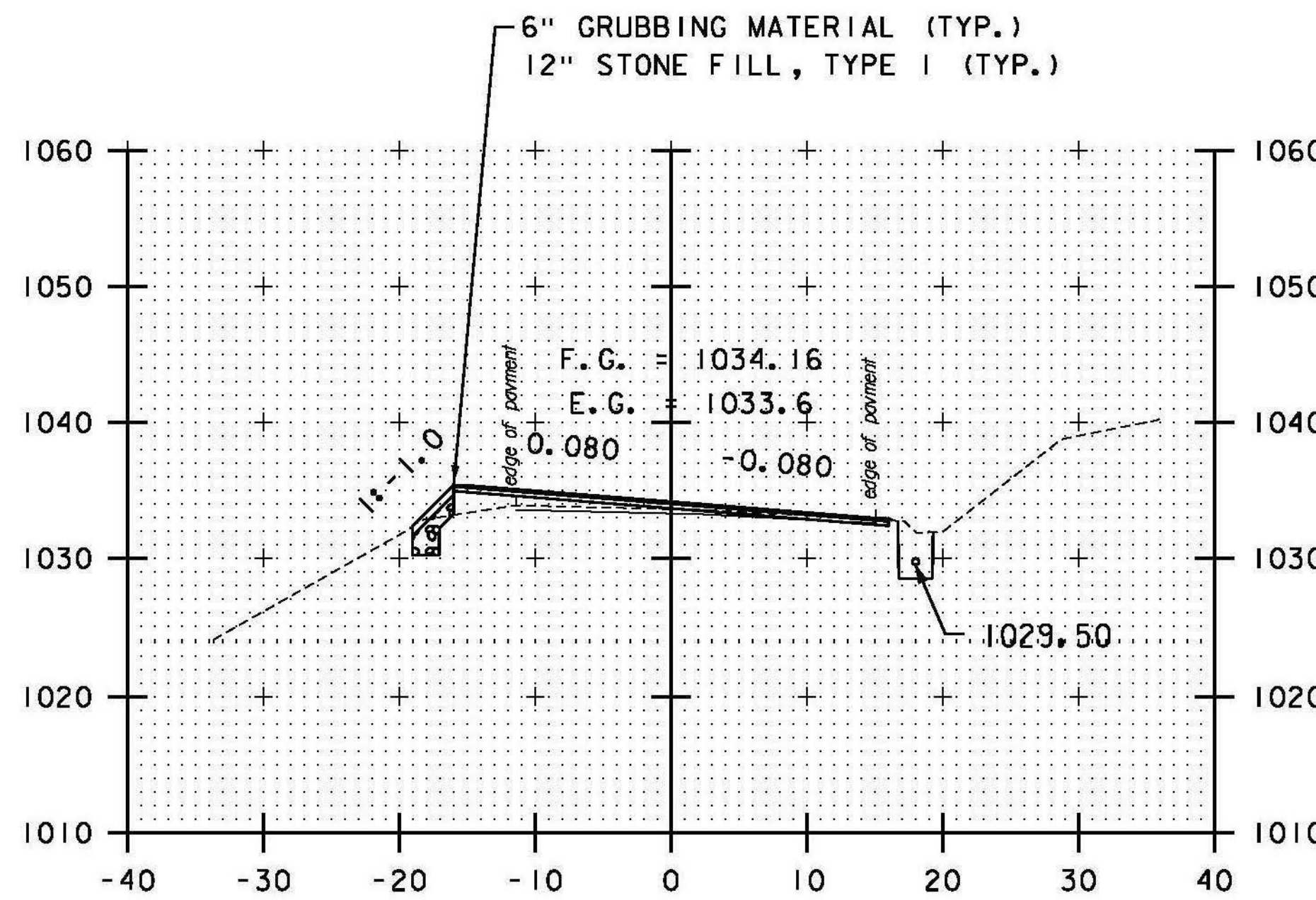


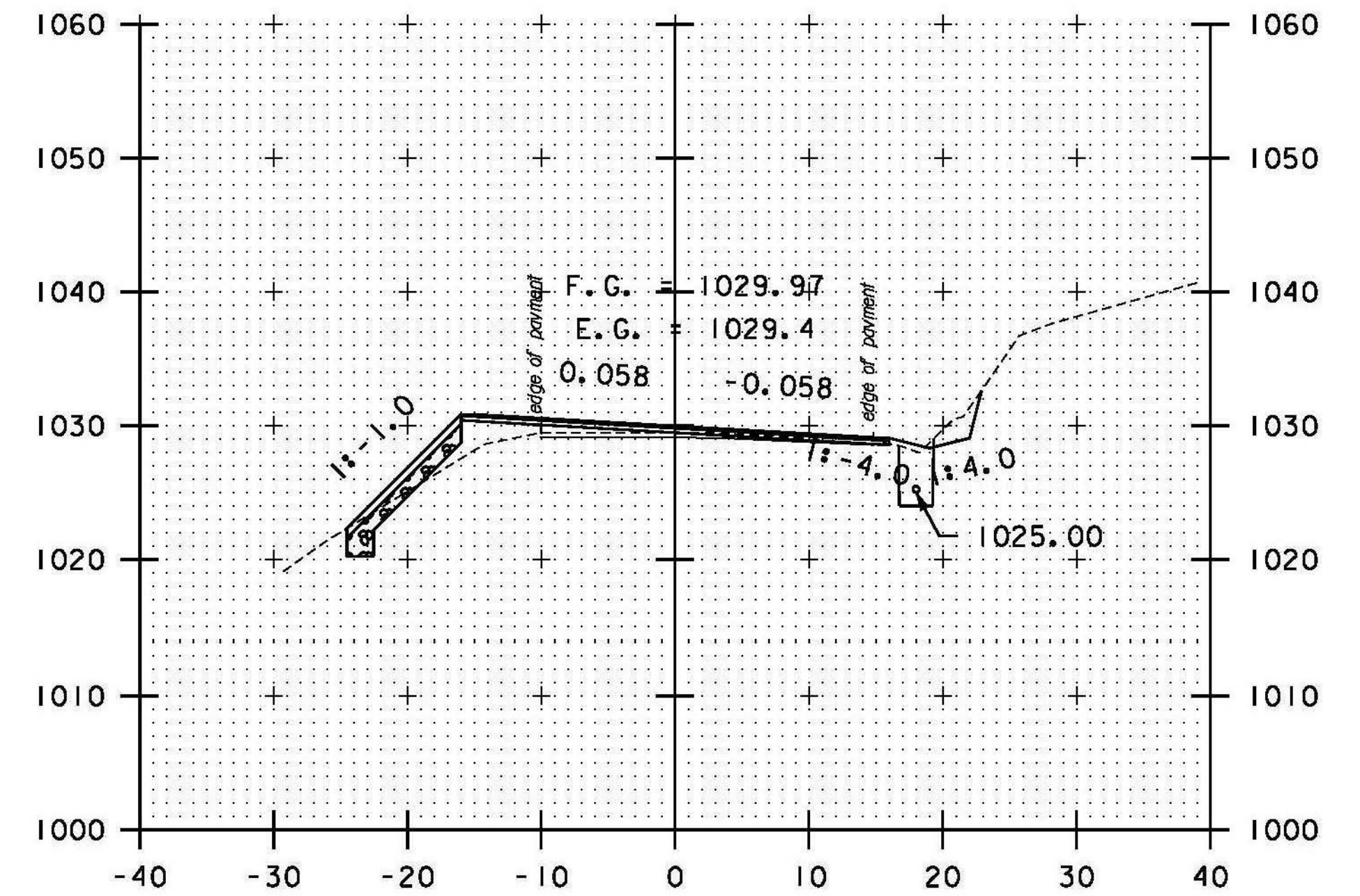
314+00



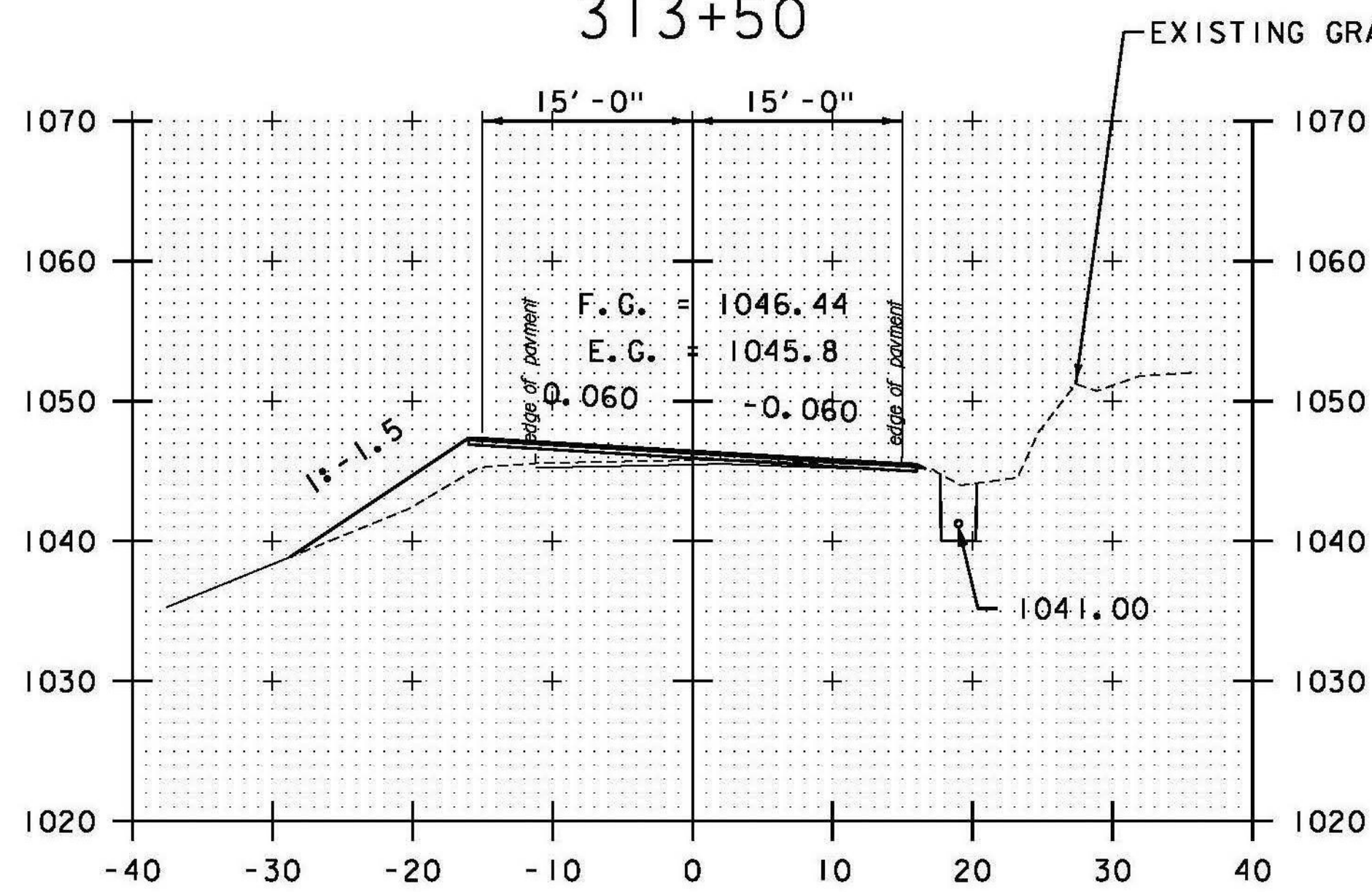
313+50



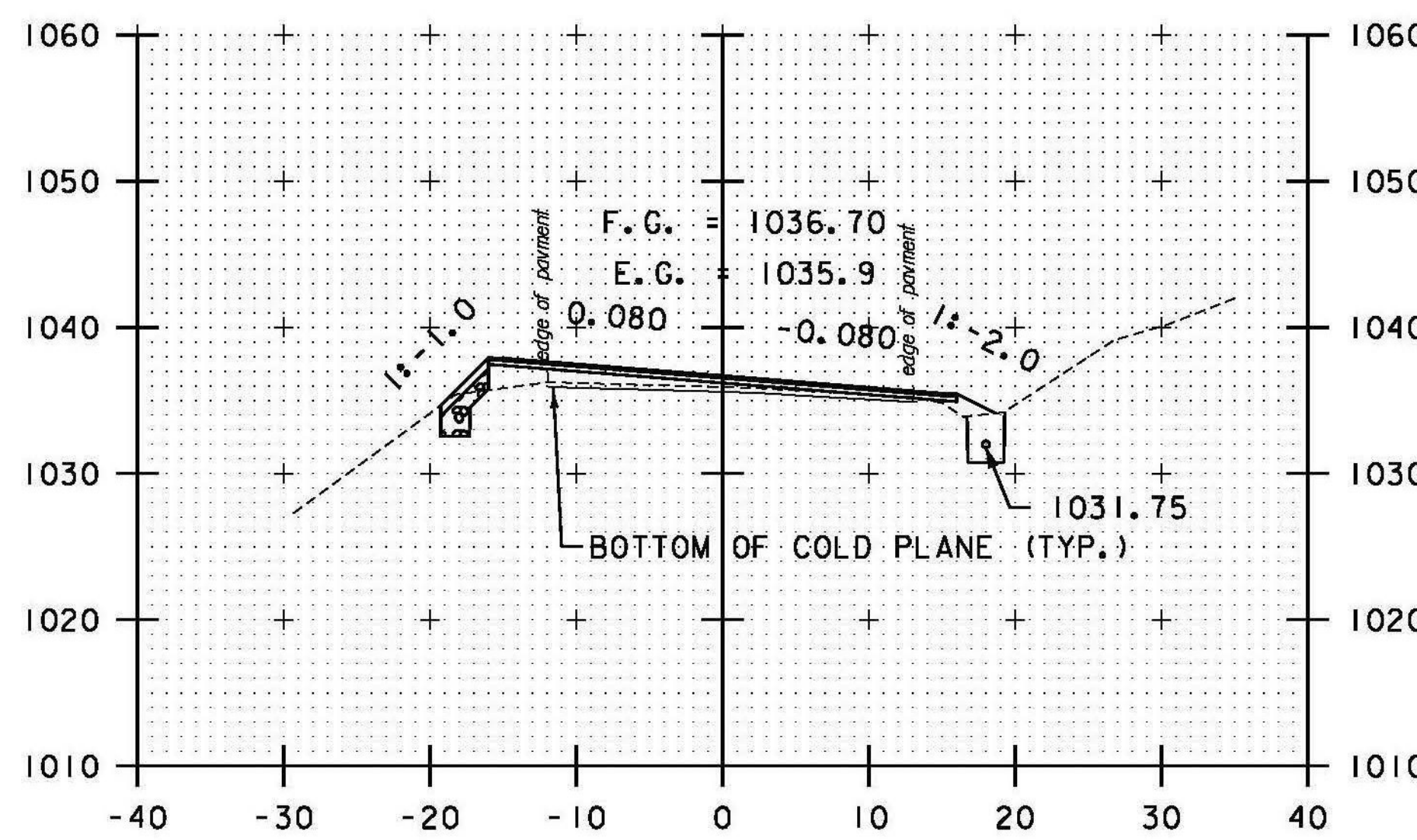
315+00



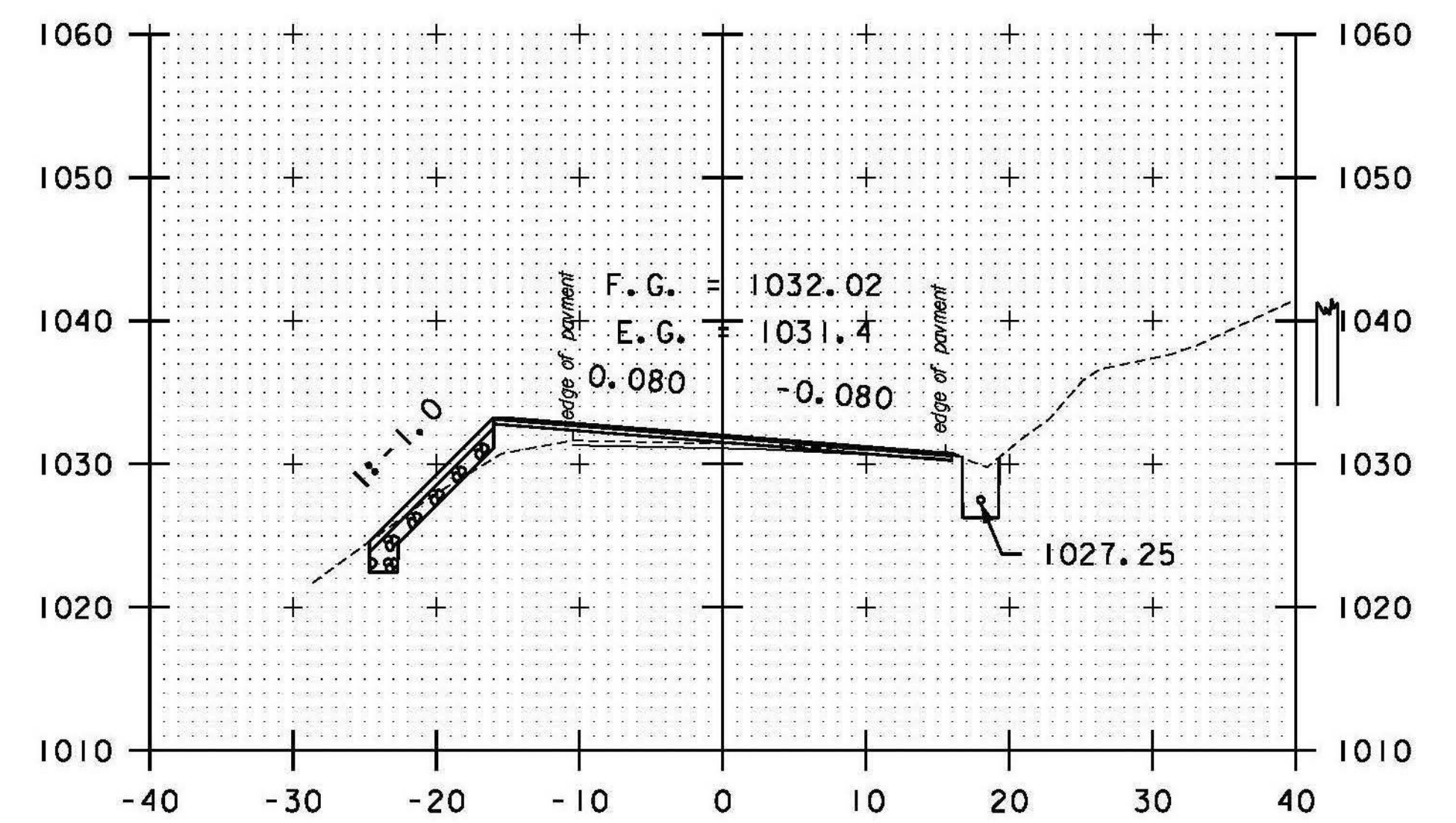
316+00



313+00



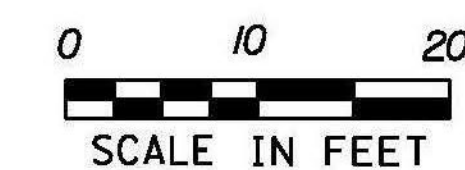
314+50



315+50

STA. 313+00 TO STA. 316+00

DATUM
 VERTICAL NAVD 88
 HORIZONTAL NAD 83 (07)



PROJECT NAME: RANDOLPH
 PROJECT NUMBER: STP 2932 (1)

FILE NAME: z10c270.dgn
 PROJECT LEADER: C. LATHROP
 DESIGNED BY: B. BRESLEND
 VT 66 CROSS SECTION SHEET 66

PLOT DATE: 6/5/2014
 DRAWN BY: B. BRESLEND
 CHECKED BY: C. LATHROP
 SHEET 222 OF 276