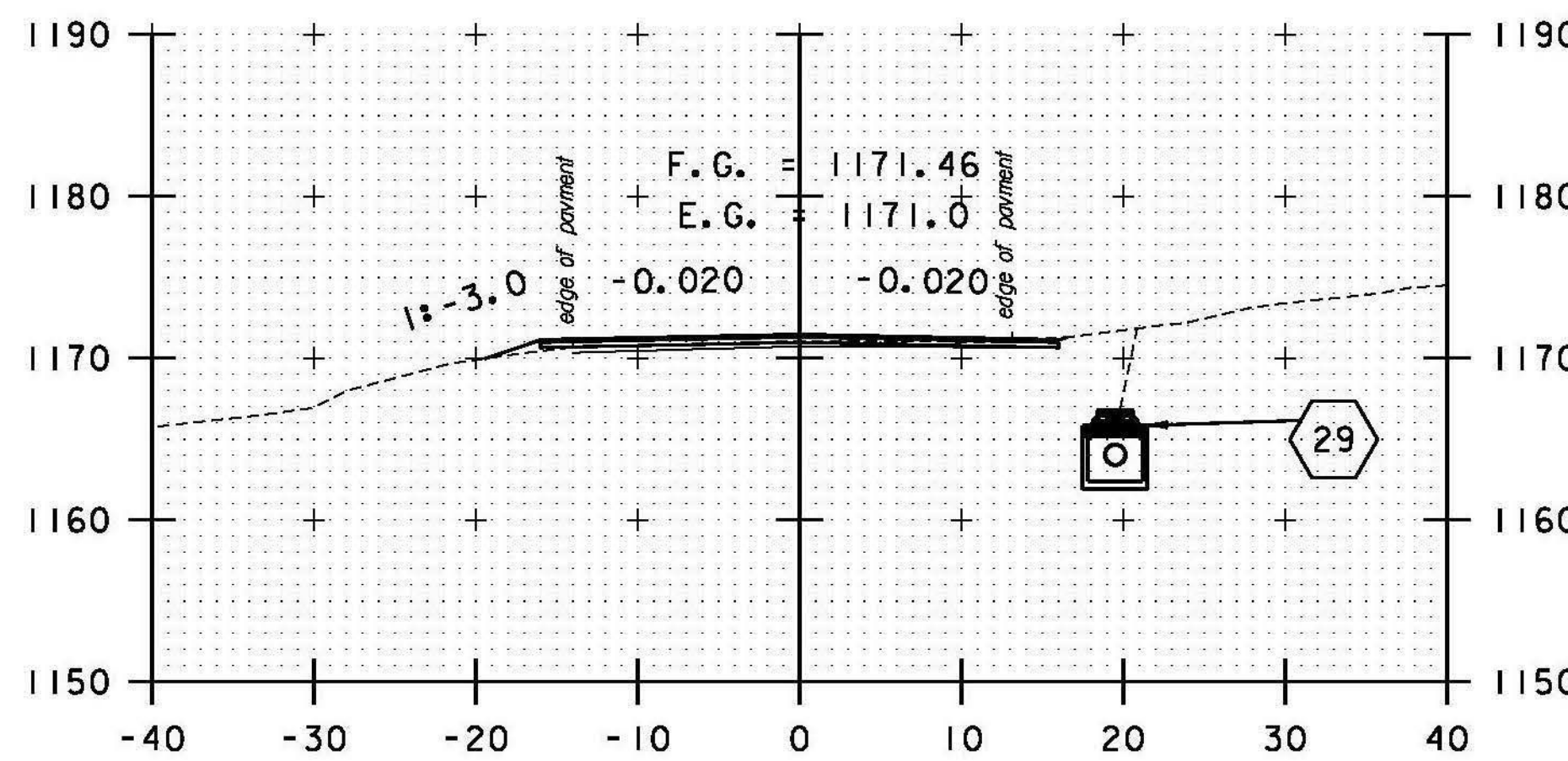
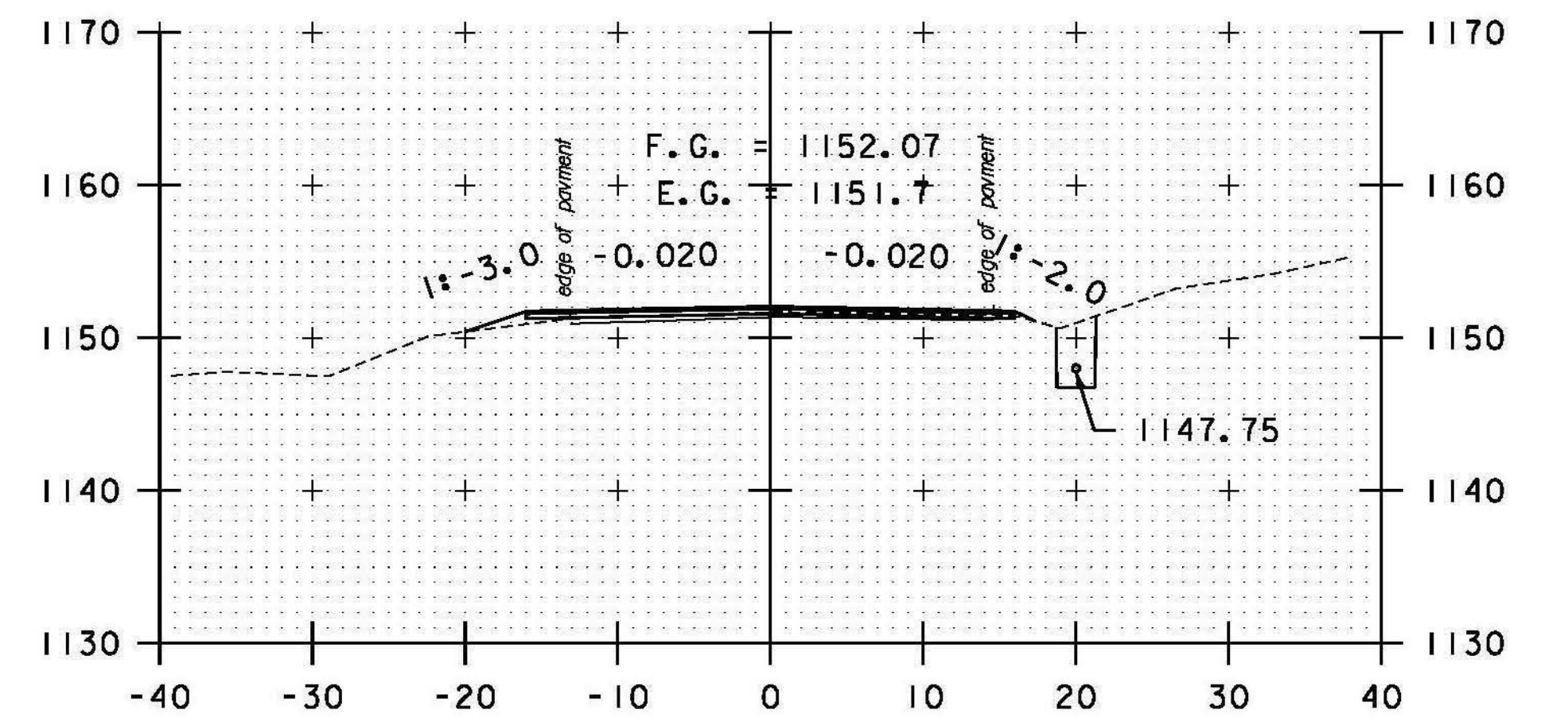


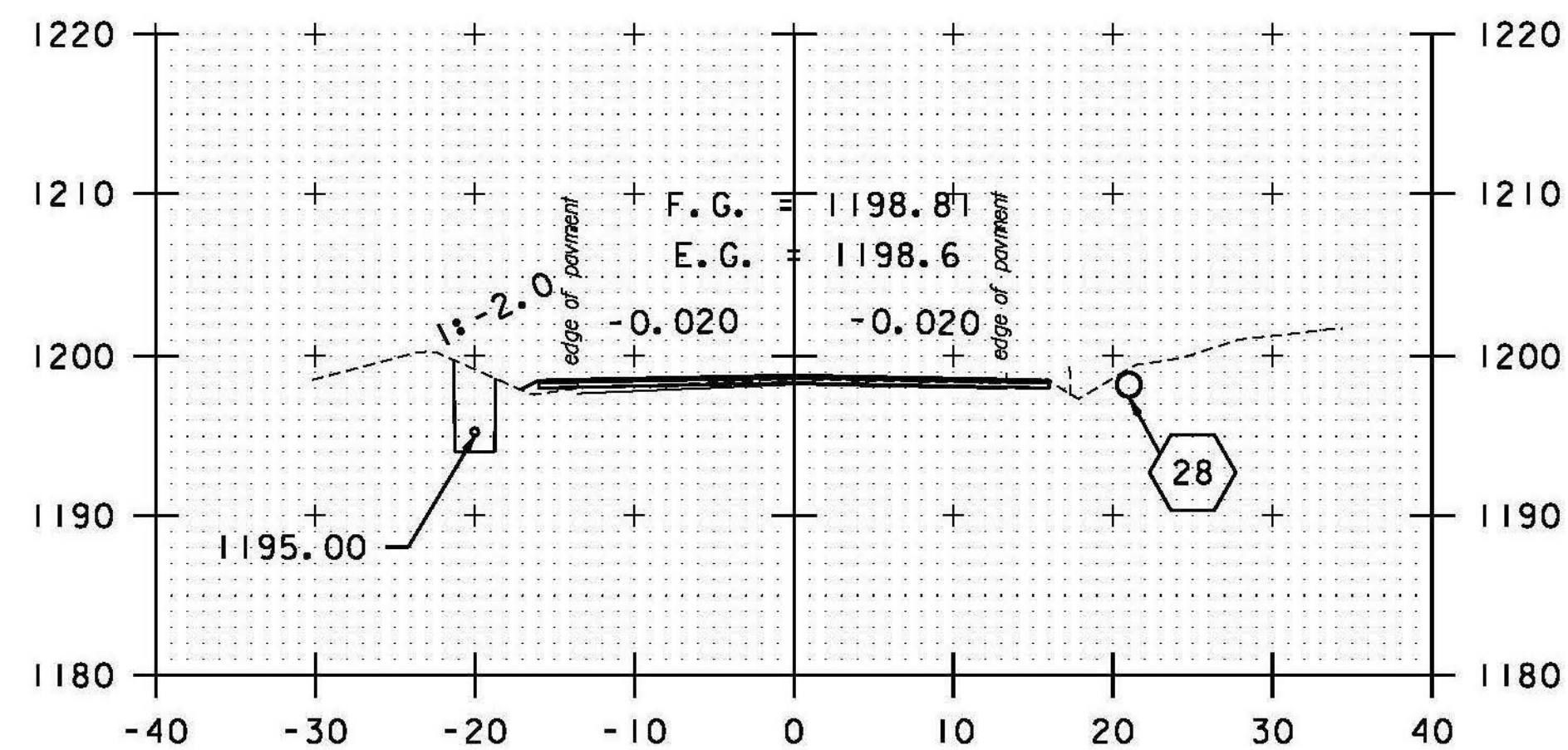
296+00



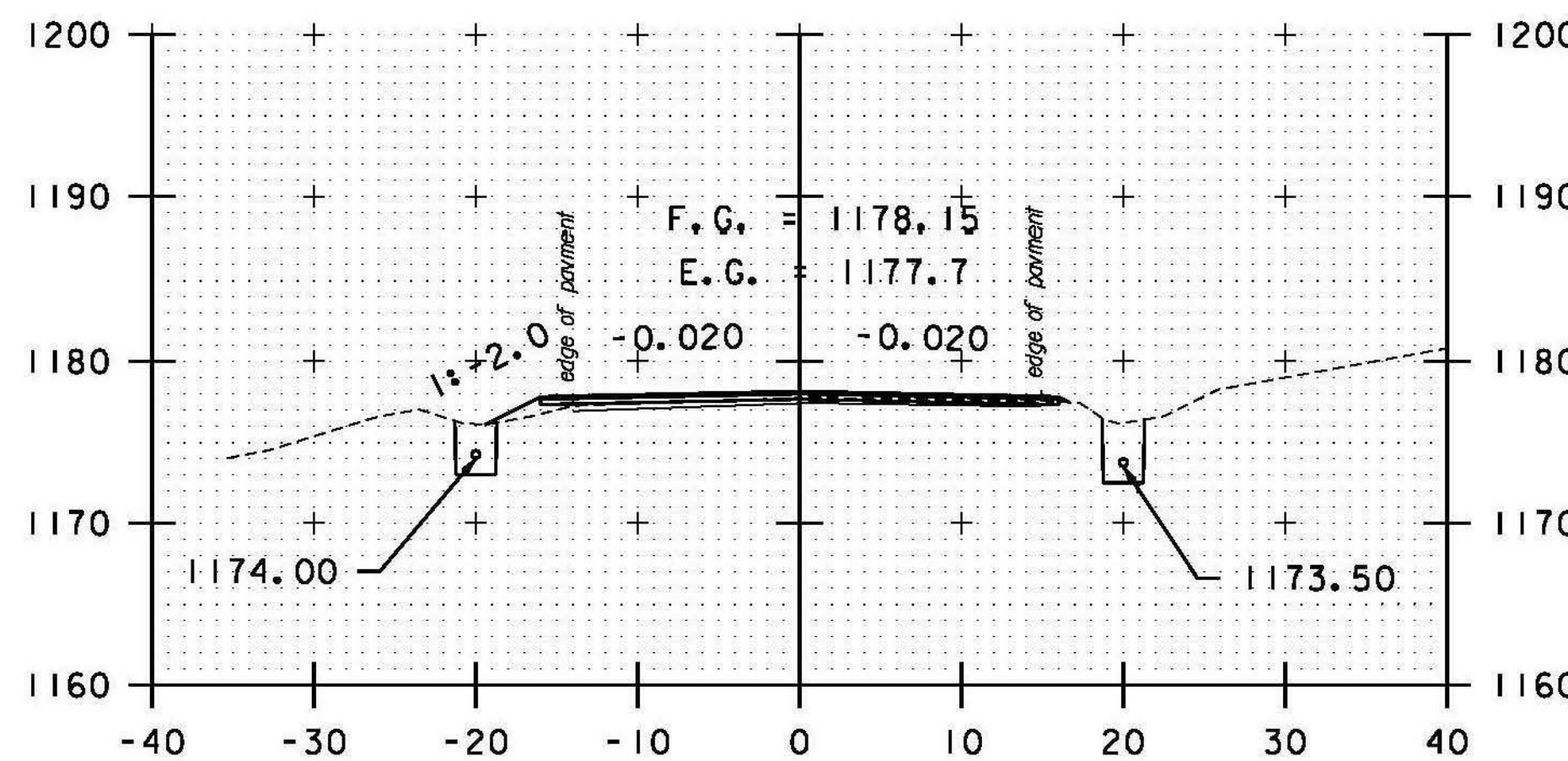
297+50



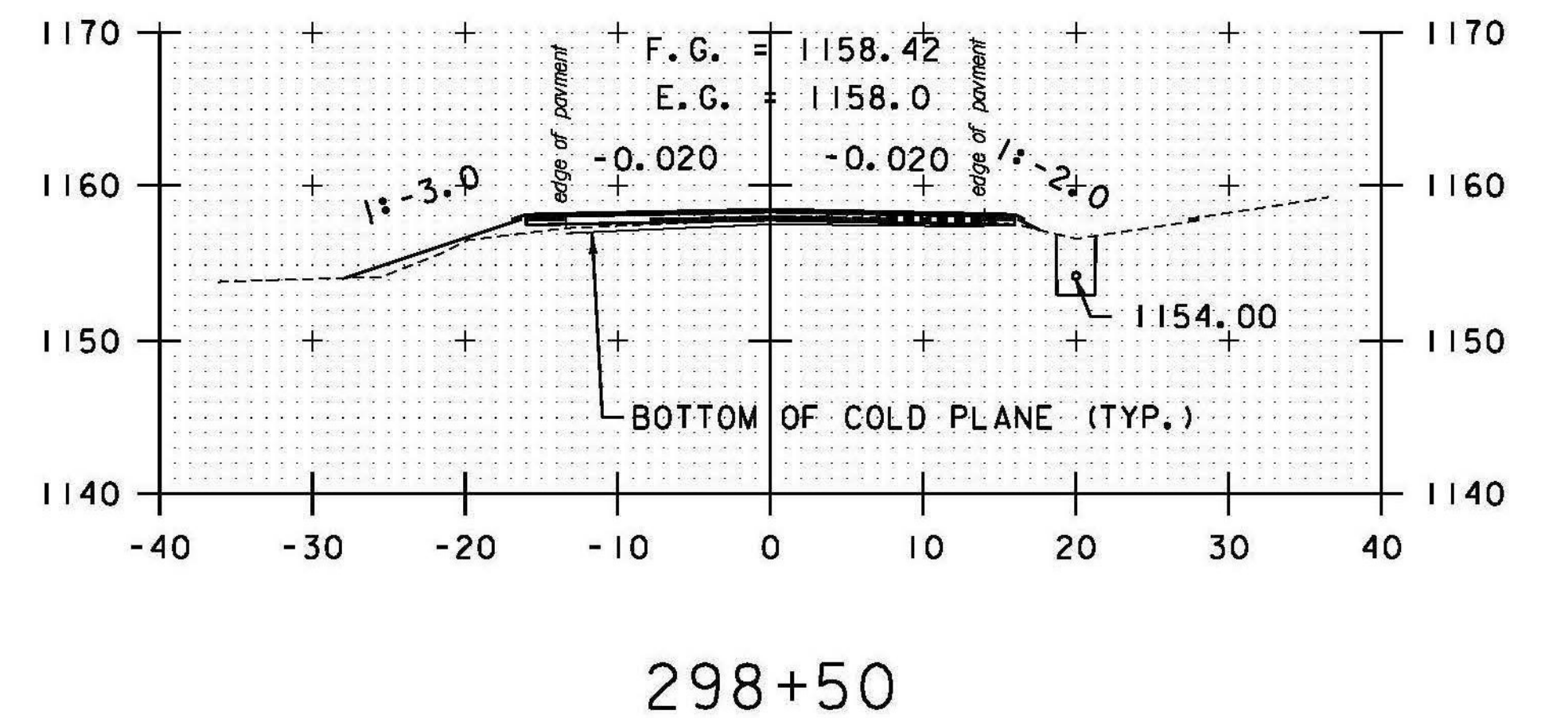
299+00



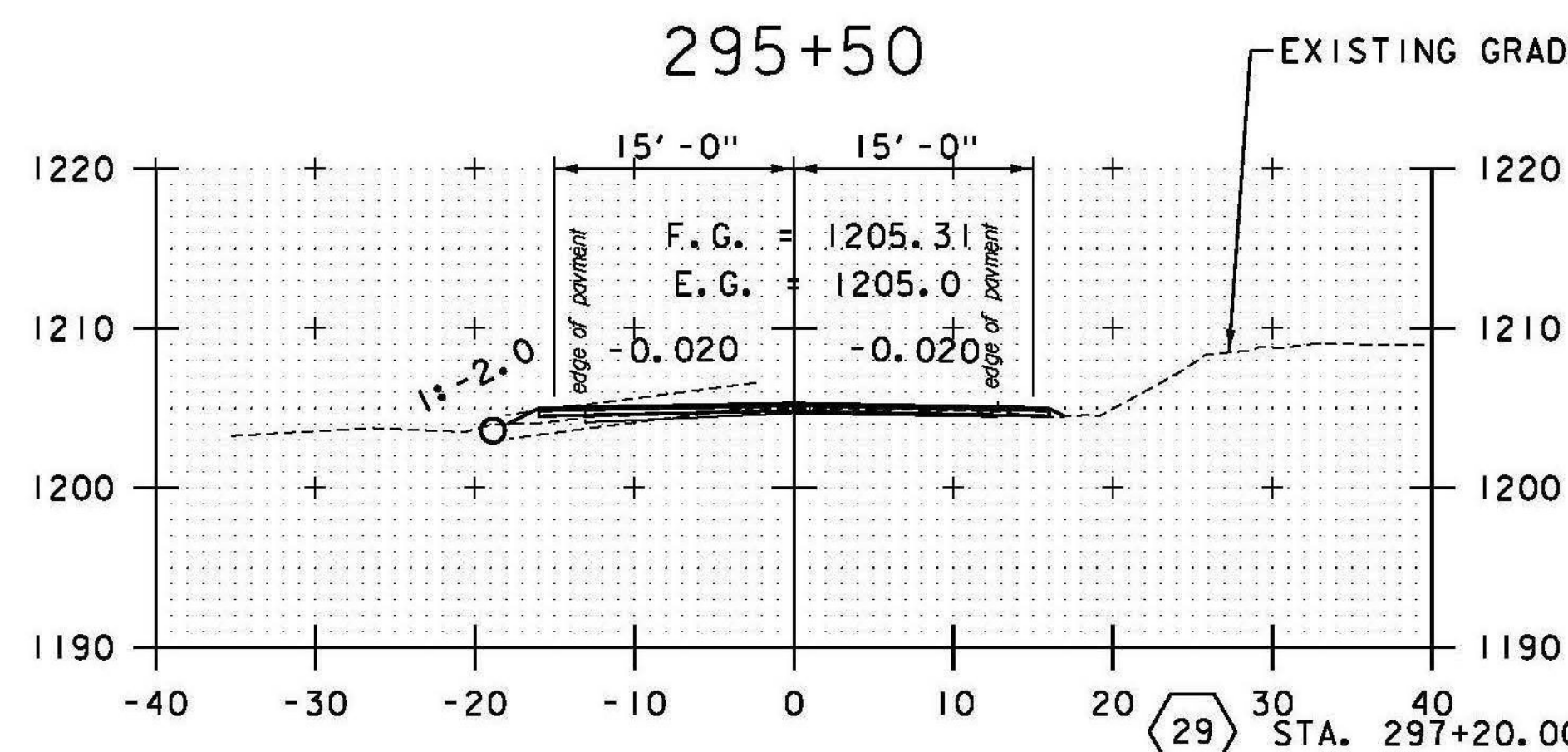
295+50



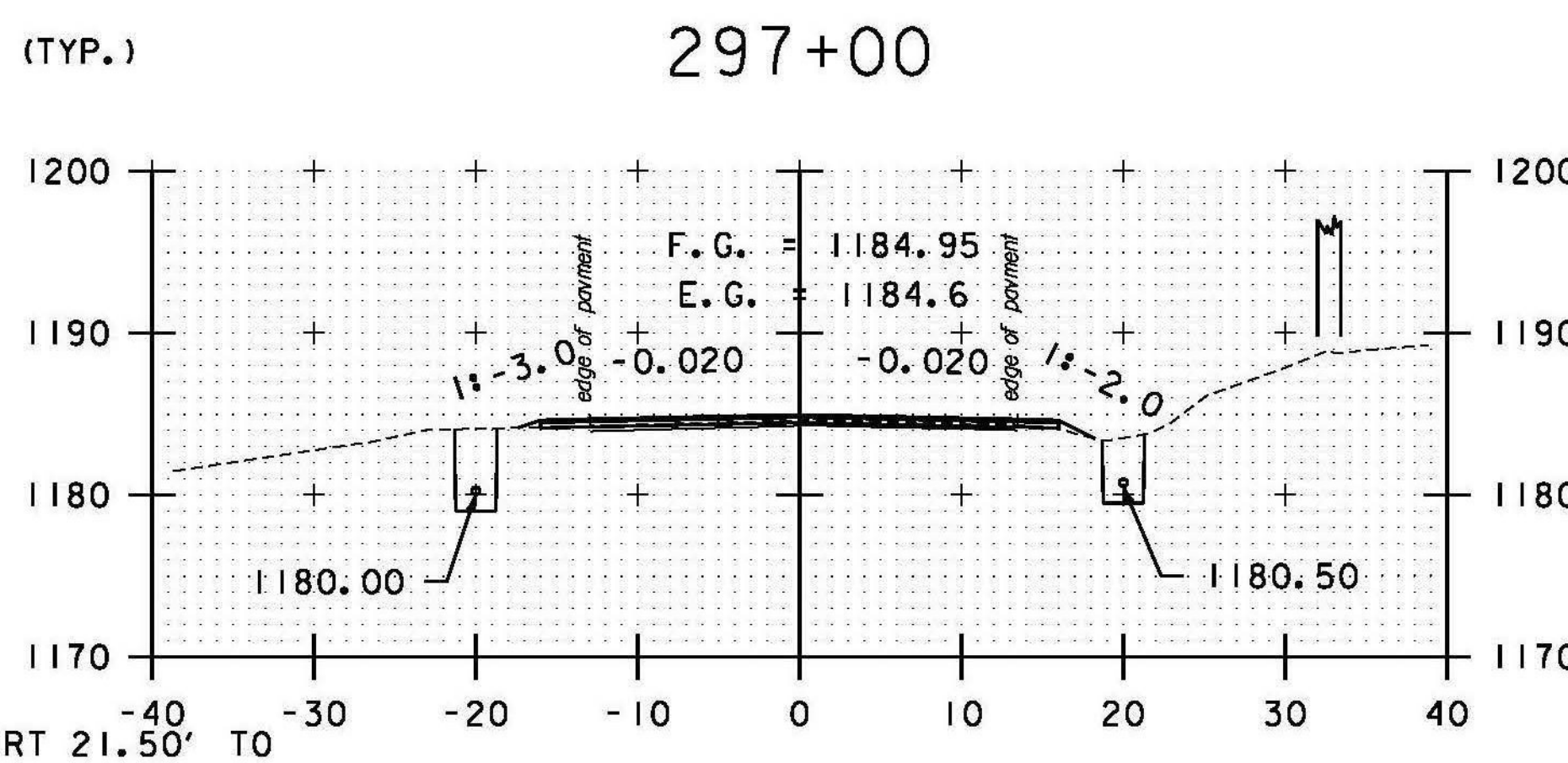
297+00



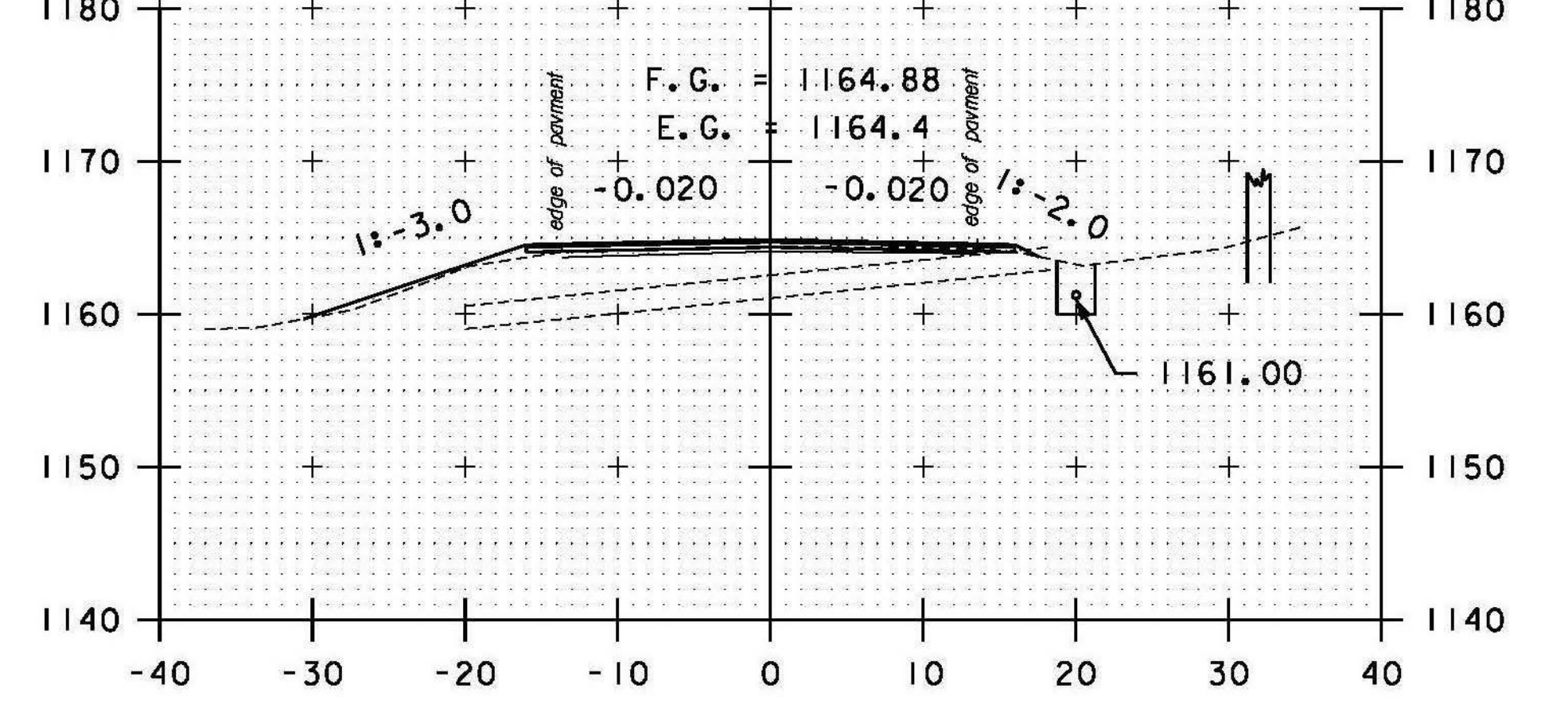
298+50



295+00



296+50



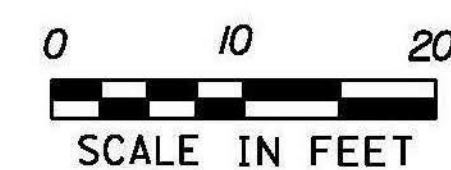
298+00

28 STA. 295+23.00 RT 21.00' TO
 STA. 295+53.00 RT 21.00'
 REMOVE EXISTING 18" CMP
 INSTALL 18" CPEP (30'-0")
 INV. IN = 1199.30'
 INV. OUT = 1197.25'

29 STA. 297+20.00 RT 21.50' TO
 STA. 297+72.88 RT 19.50'
 REMOVE EXISTING HEADWALL
 REMOVE EXISTING 15" CMP
 INSTALL 15" CPEP (53'-0")
 INV. IN = 1172.50'
 INV. OUT = 1163.40'
 STA. 297+74.38 RT 19.50'
 INSTALL PRECAST REINFORCED
 CONCRETE CATCH BASIN WITH
 CAST IRON GRATE (TYPE D)
 RIM ELV. = 1166.75'
 CONNECT TO 15" CPEP AND 18" RCP

STA. 295+00 TO STA. 299+00

DATUM
 VERTICAL NAVD 88
 HORIZONTAL NAD 83 (07)



PROJECT NAME: RANDOLPH
 PROJECT NUMBER: STP 2932 (1)
 FILE NAME: z10c270.dgn
 PROJECT LEADER: C. LATHROP
 DESIGNED BY: B. BRESLEND
 VT 66 CROSS SECTION SHEET 62
 PLOT DATE: 6/5/2014
 DRAWN BY: B. BRESLEND
 CHECKED BY: C. LATHROP
 SHEET 218 OF 276