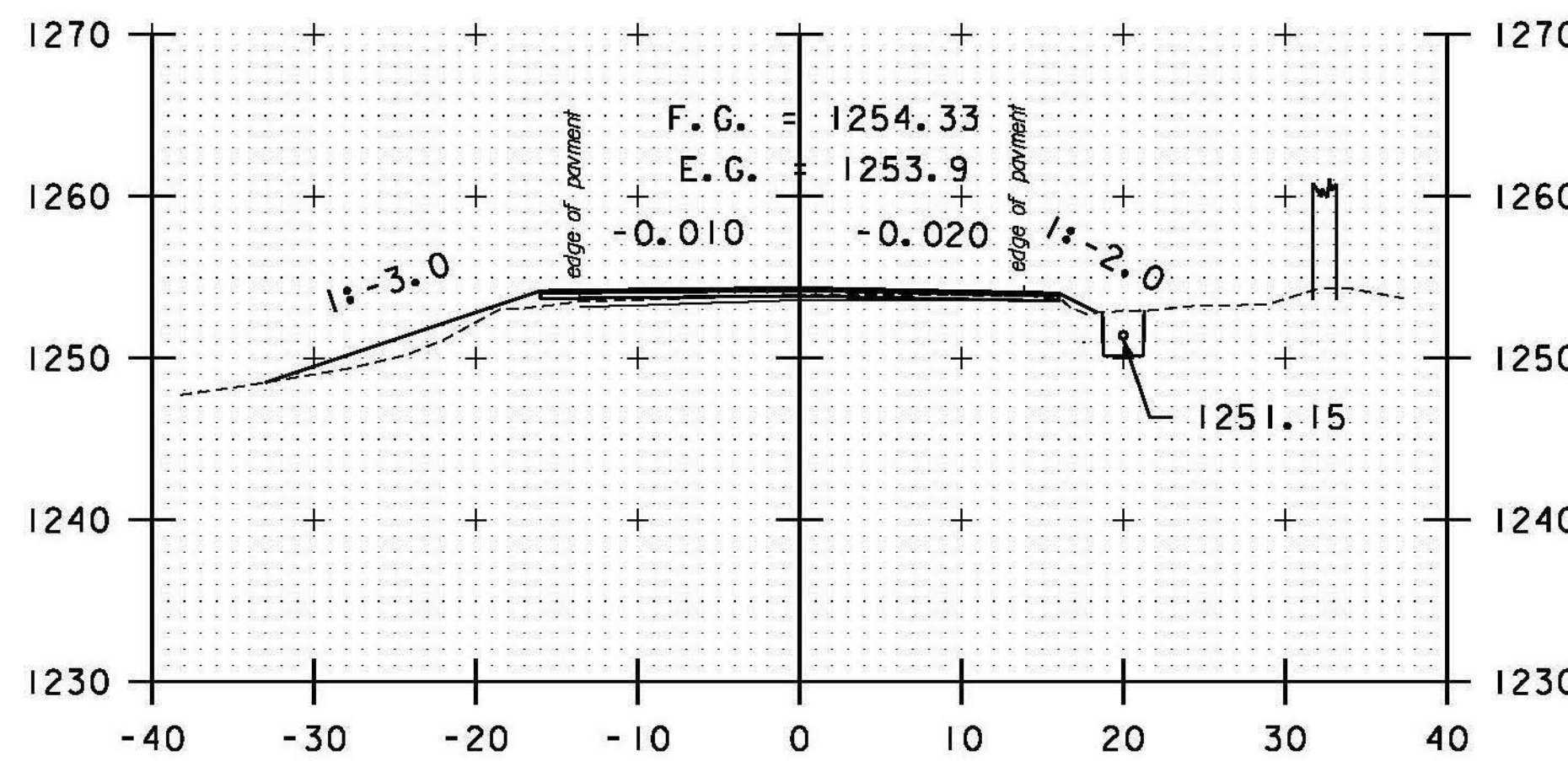
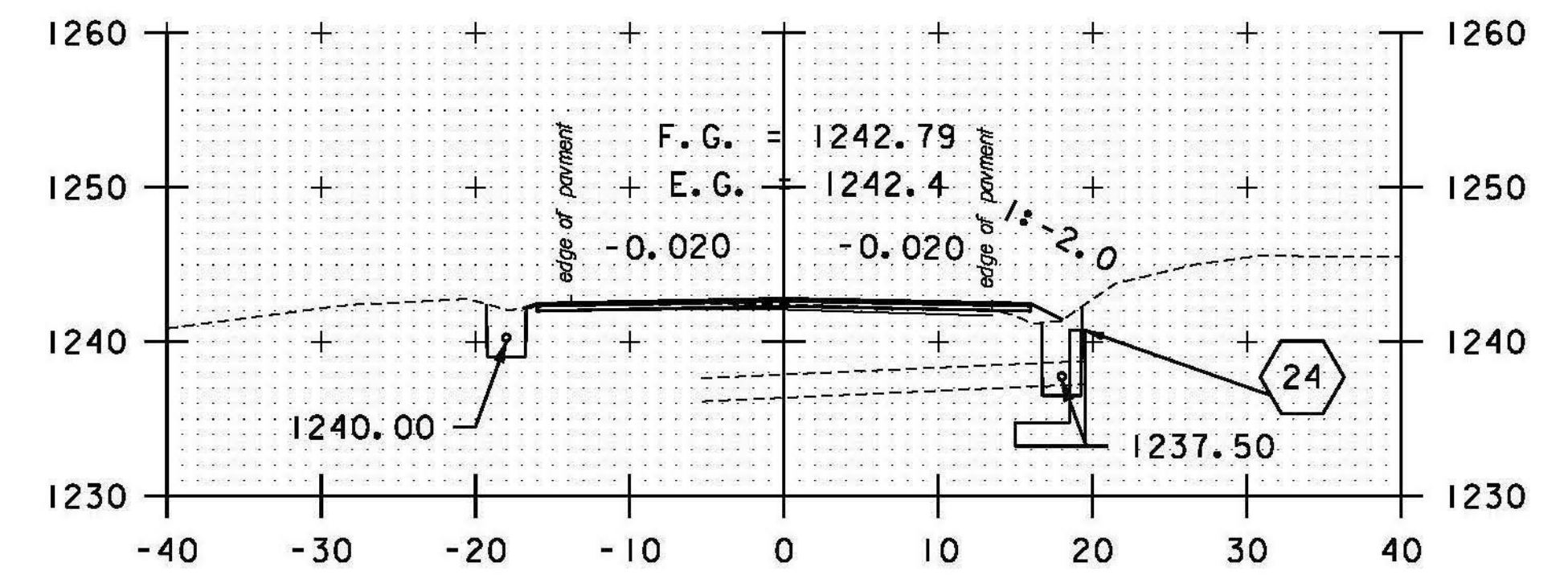


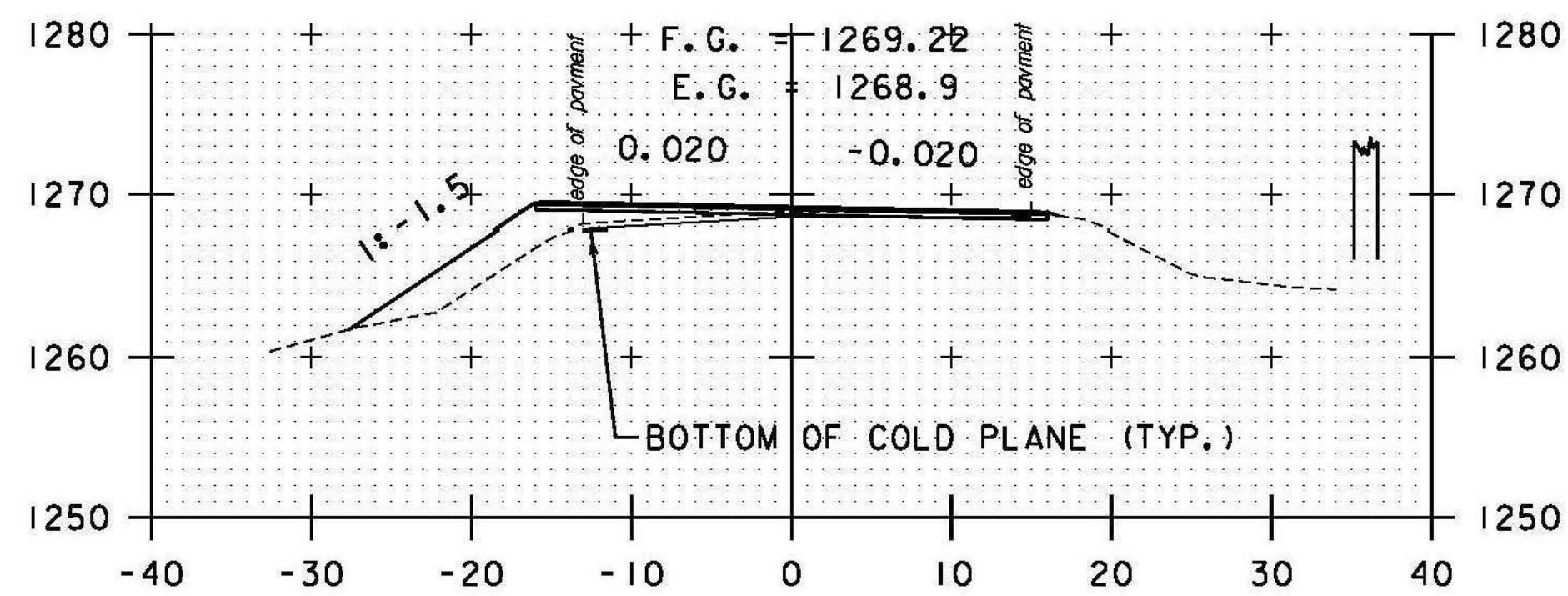
DRIVE LT
287+50



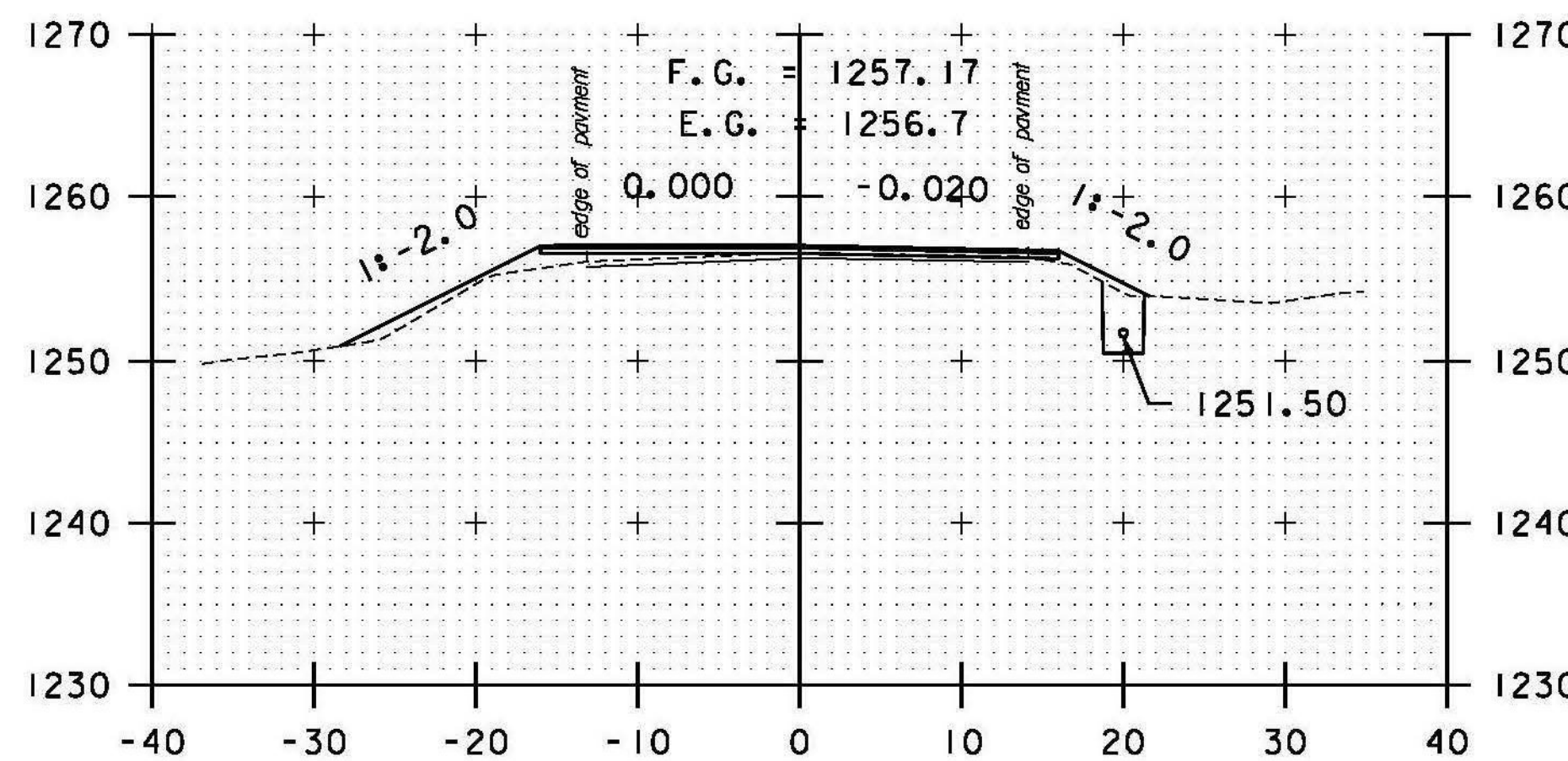
289+00



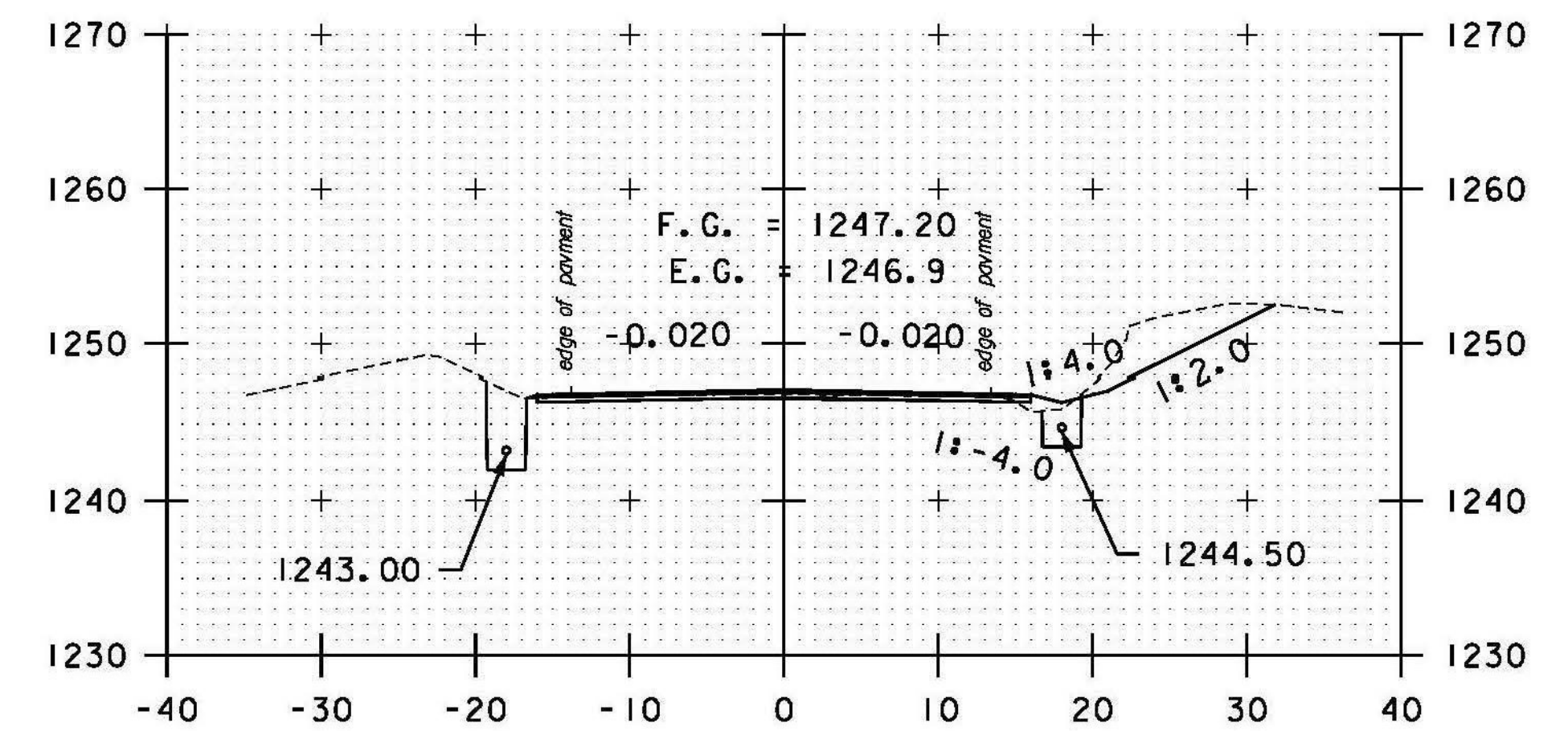
290+50



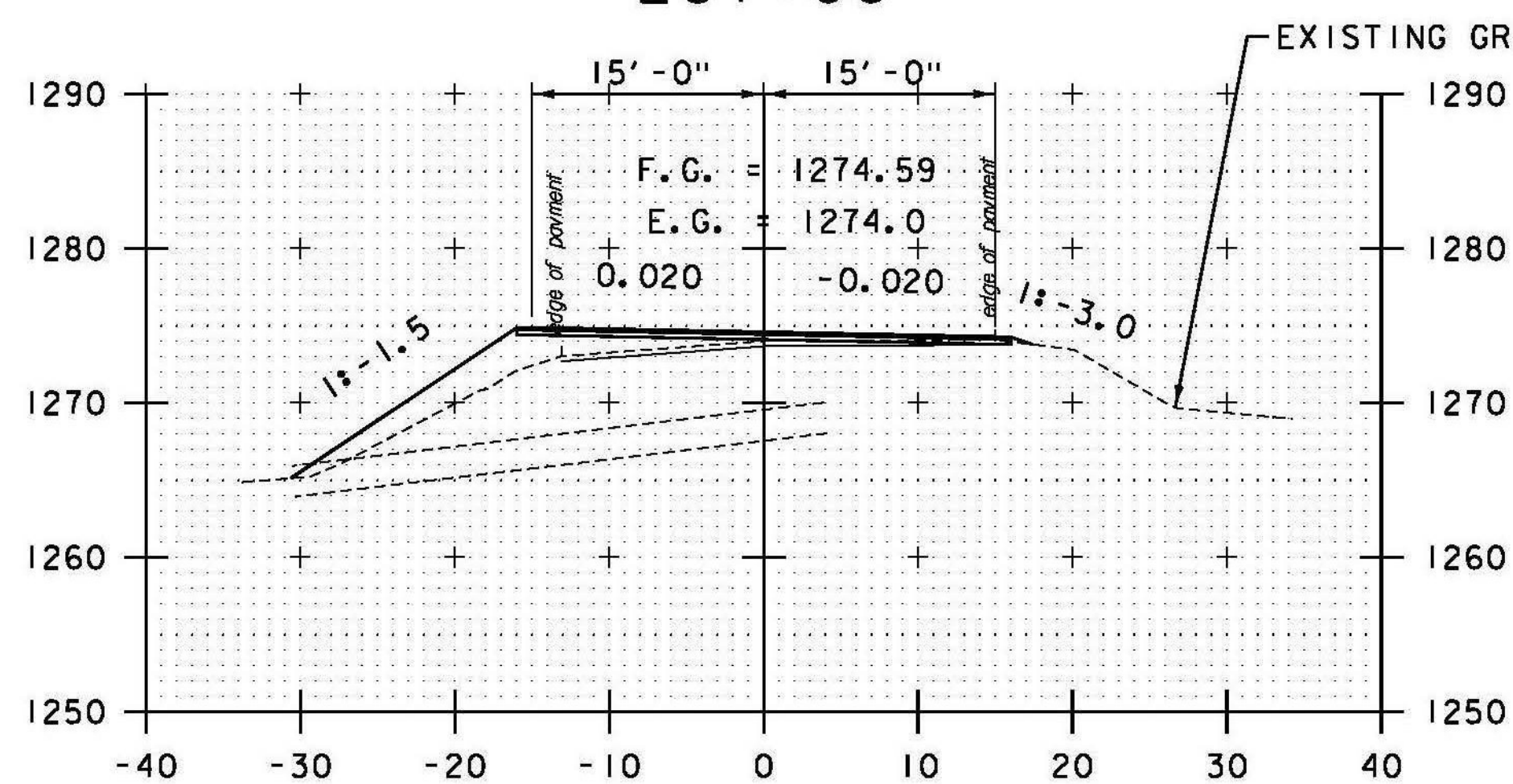
287+00



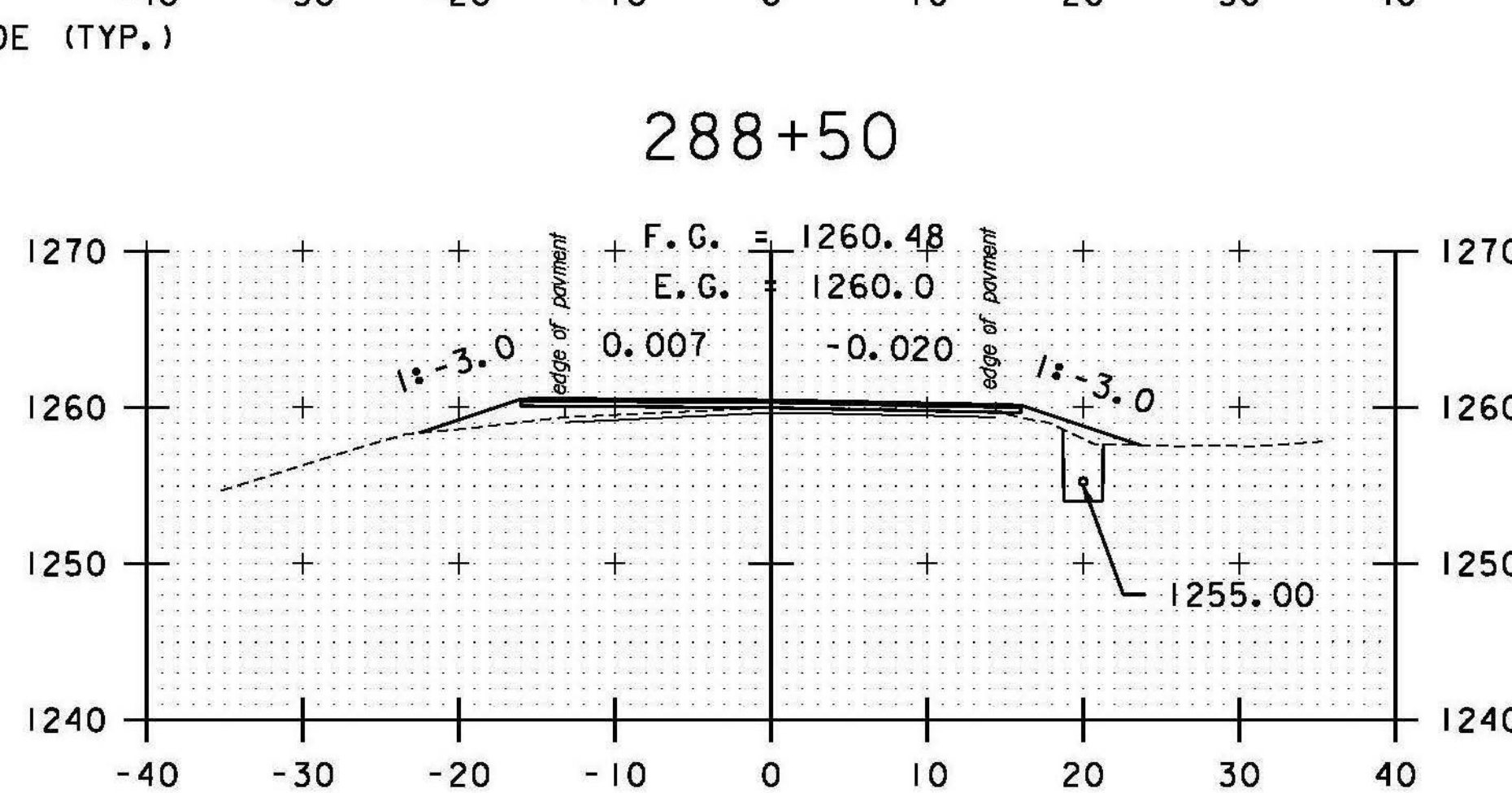
288+50



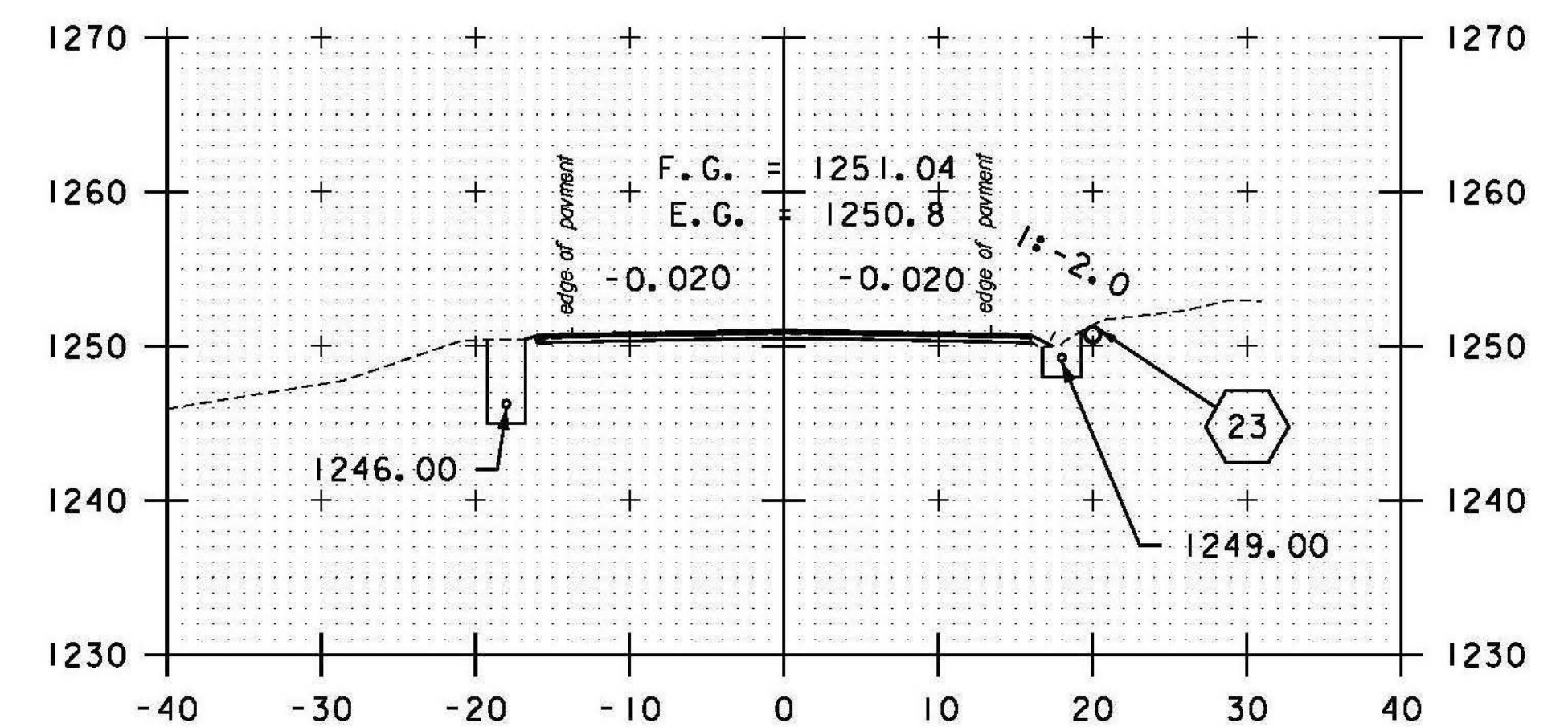
290+00



286+50



288+00



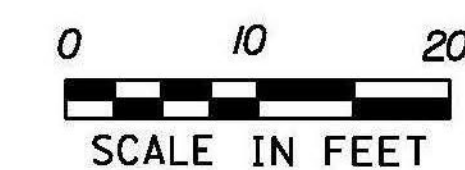
289+50

23 STA. 289+22.00 RT 20.00' TO
STA. 289+44.00 RT 20.00'
REMOVE EXISTING 12" CMP
INSTALL 12" CPEP (23'-0")
INV. IN = 1251.00'
INV. OUT = 1250.25'

24 STA. 290+57.29 RT 17.82' TO
STA. 290+67.29 RT 17.82'
CONSTRUCT CONCRETE REINFORCED
STRAIGHT HEADWALL PER STD. D-33
USE SCHEDULING AND DIMENSIONS
FOR 36" PIPE WITH 2'-0" HEADER
ABOVE PIPE

STA. 286+50 TO STA. 290+50

DATUM
VERTICAL NAVD 88
HORIZONTAL NAD 83 (07)



PROJECT NAME: RANDOLPH
PROJECT NUMBER: STP 2932 (I)

FILE NAME: z10c270.dgn
PROJECT LEADER: C. LATHROP
DESIGNED BY: B. BRESLEND
VT 66 CROSS SECTION SHEET 60

PLOT DATE: 6/5/2014
DRAWN BY: B. BRESLEND
CHECKED BY: C. LATHROP
SHEET 216 OF 276