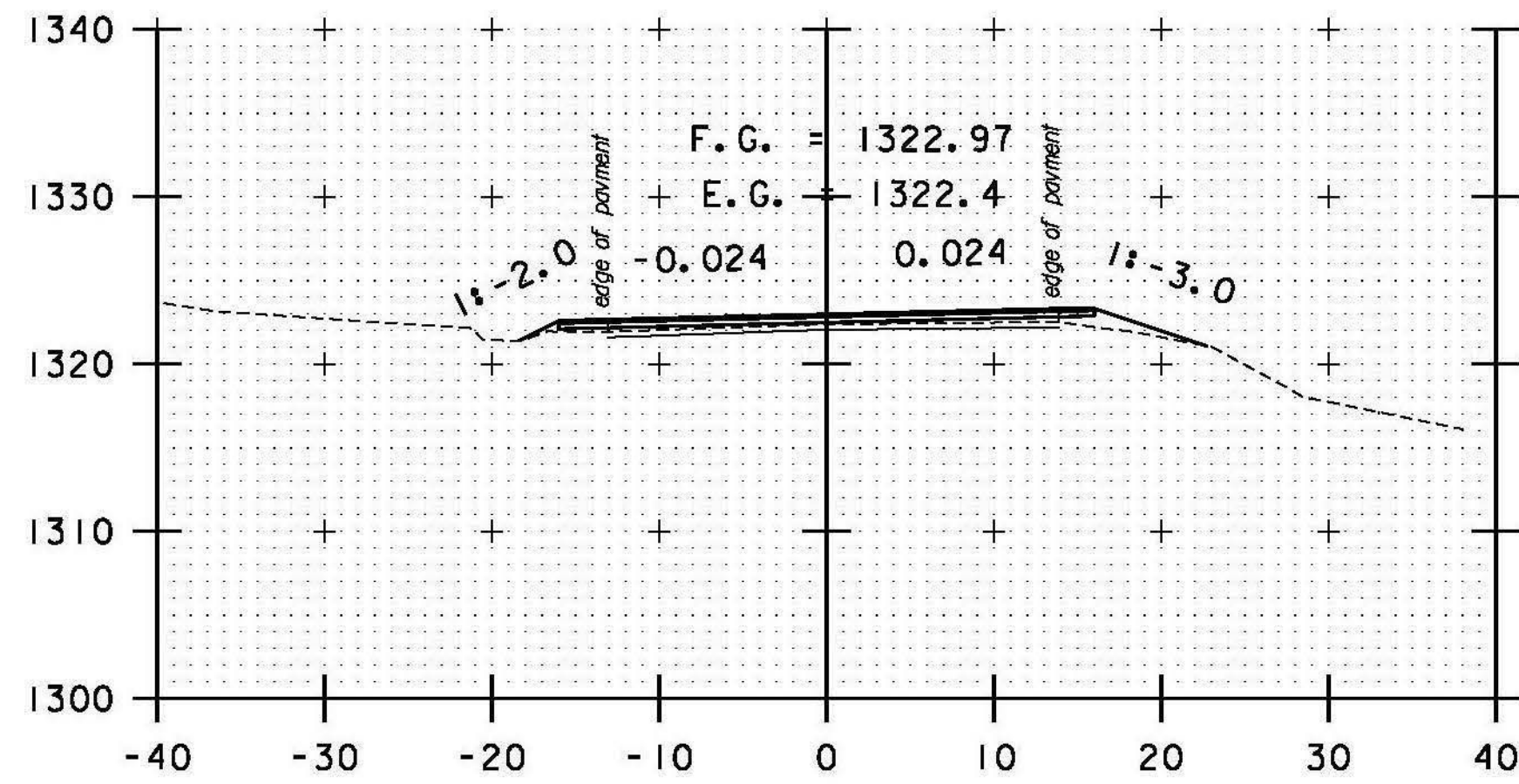
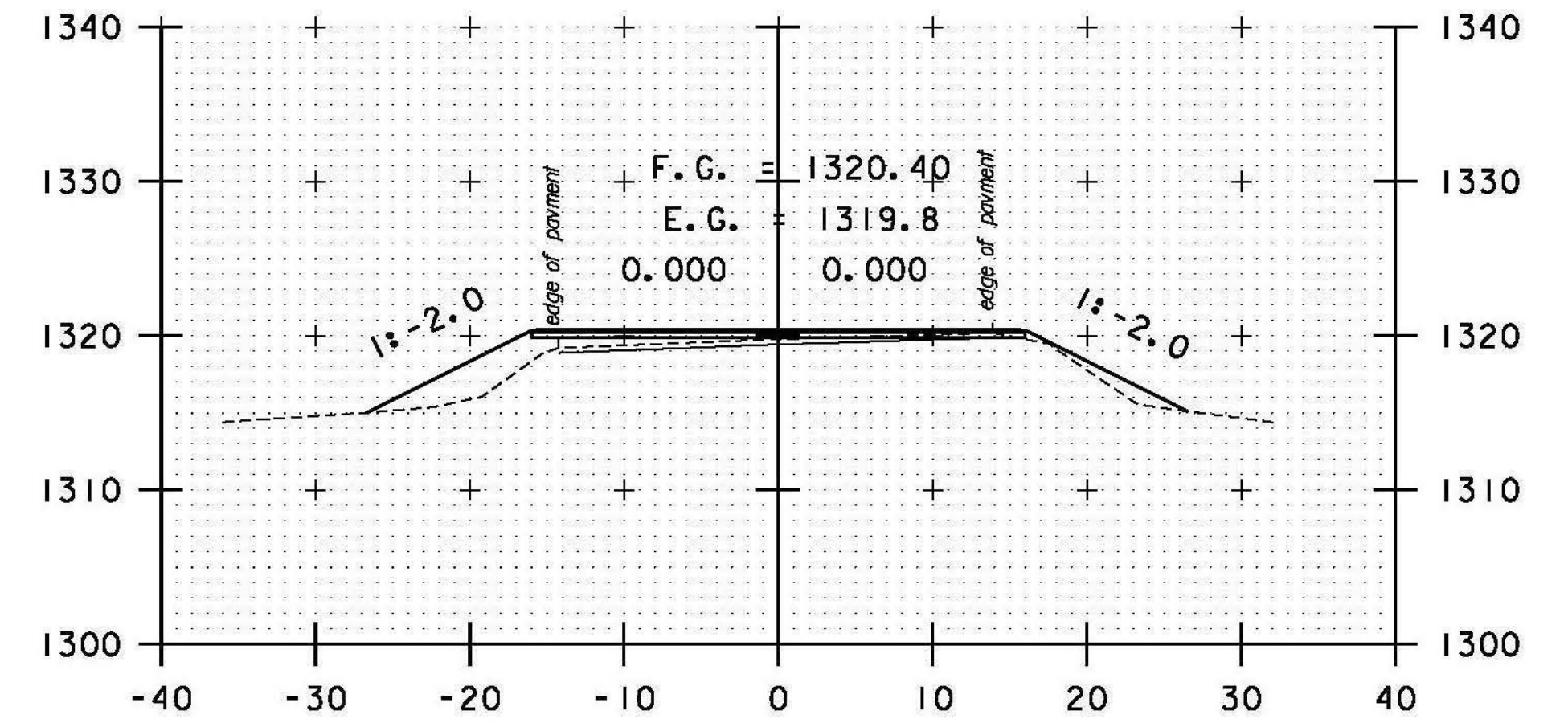


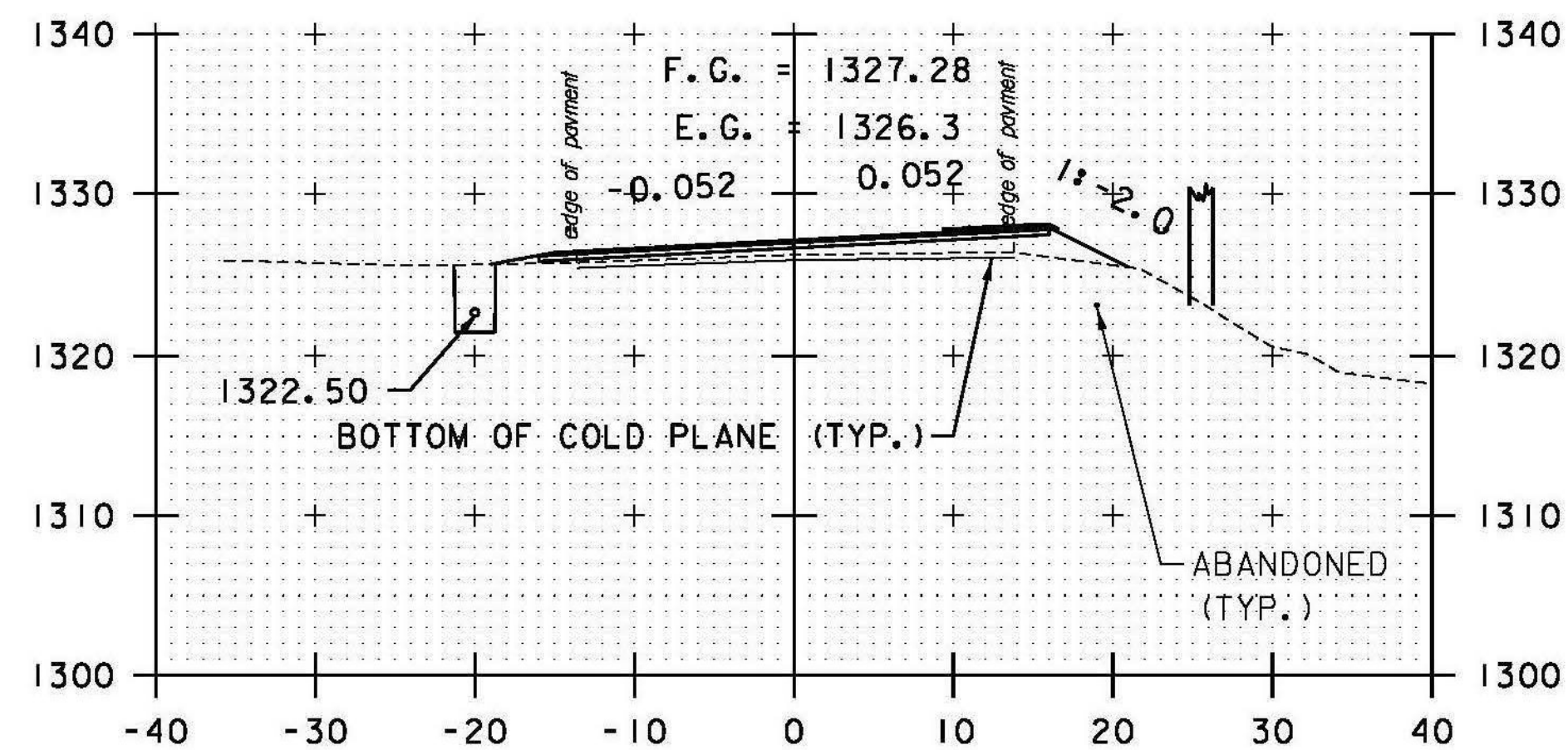
274+50



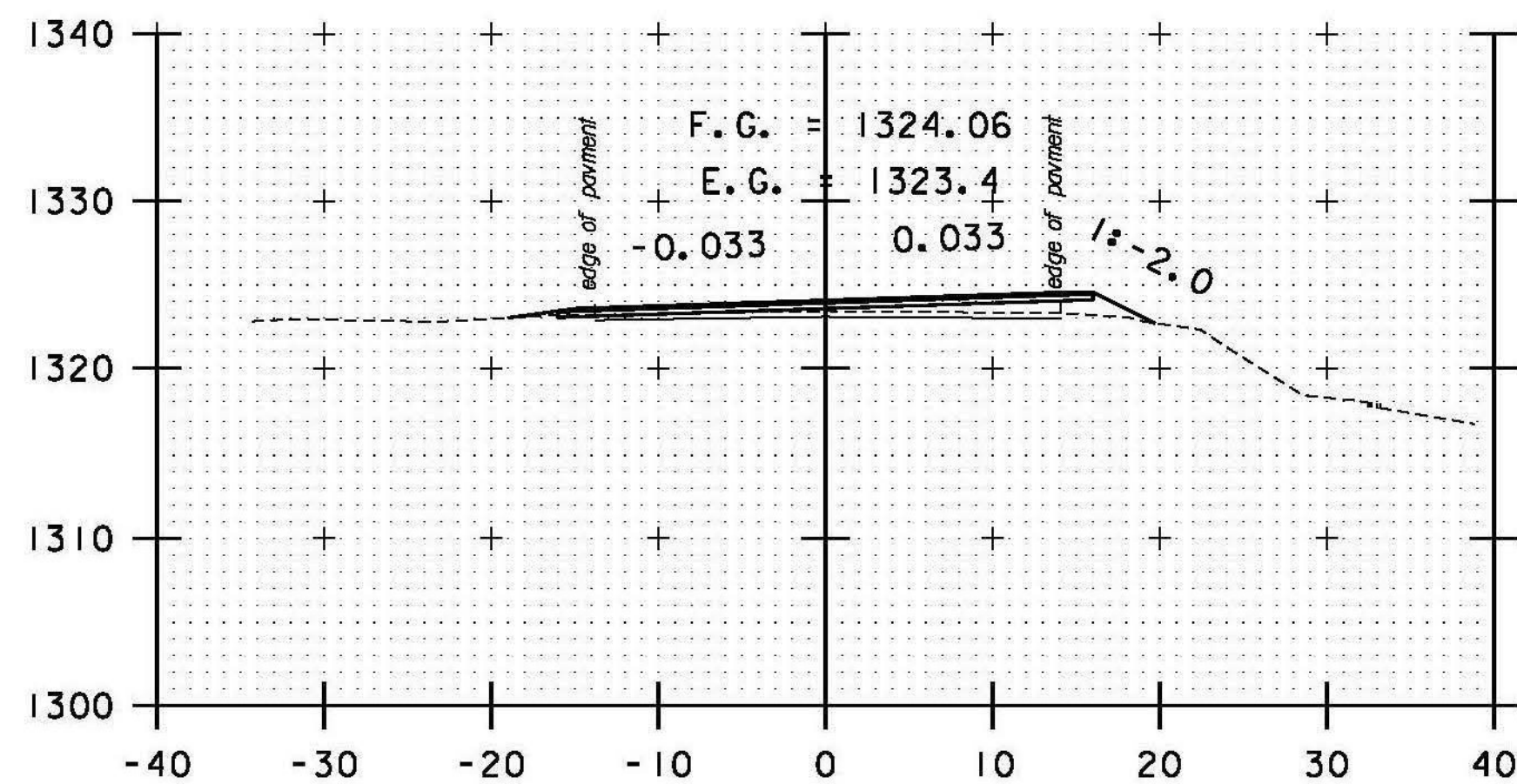
276+00



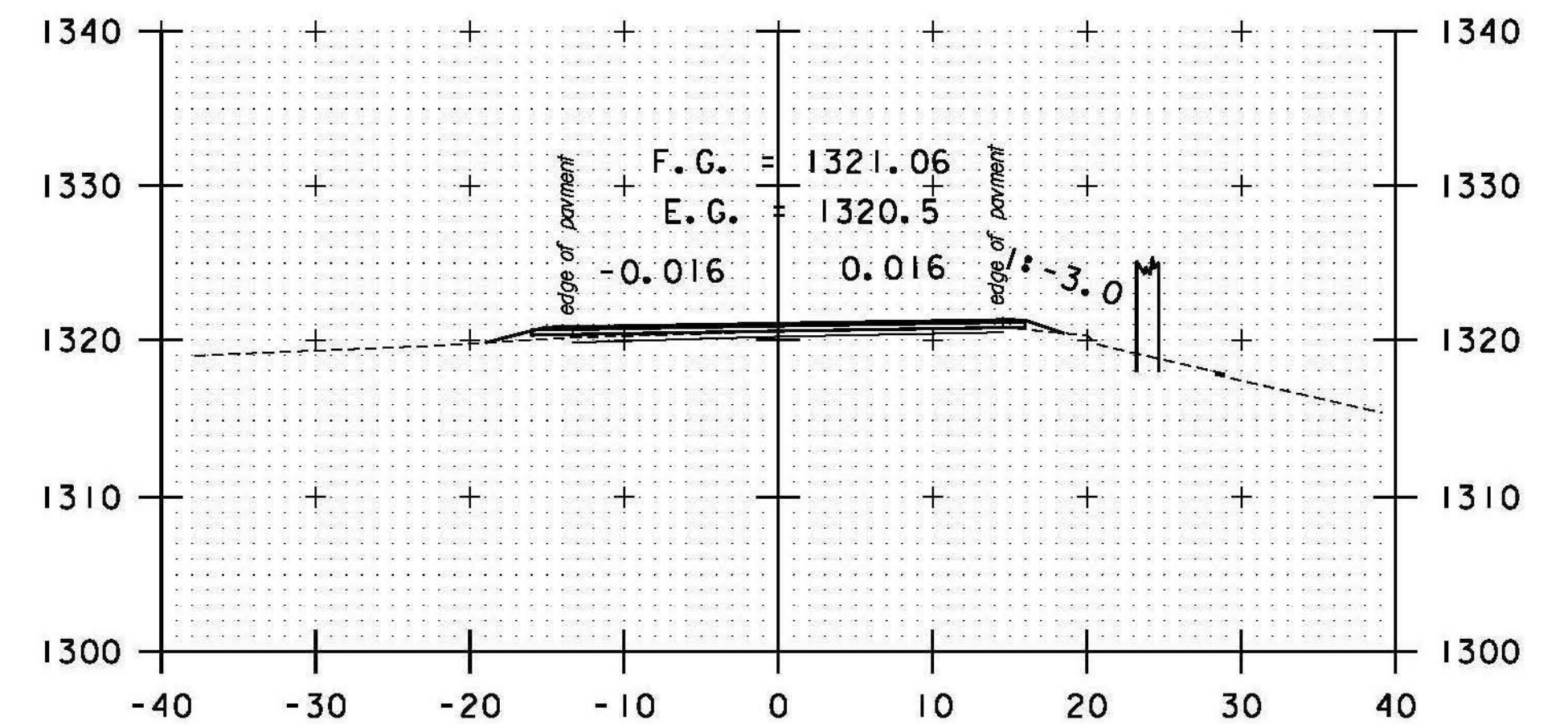
277+50



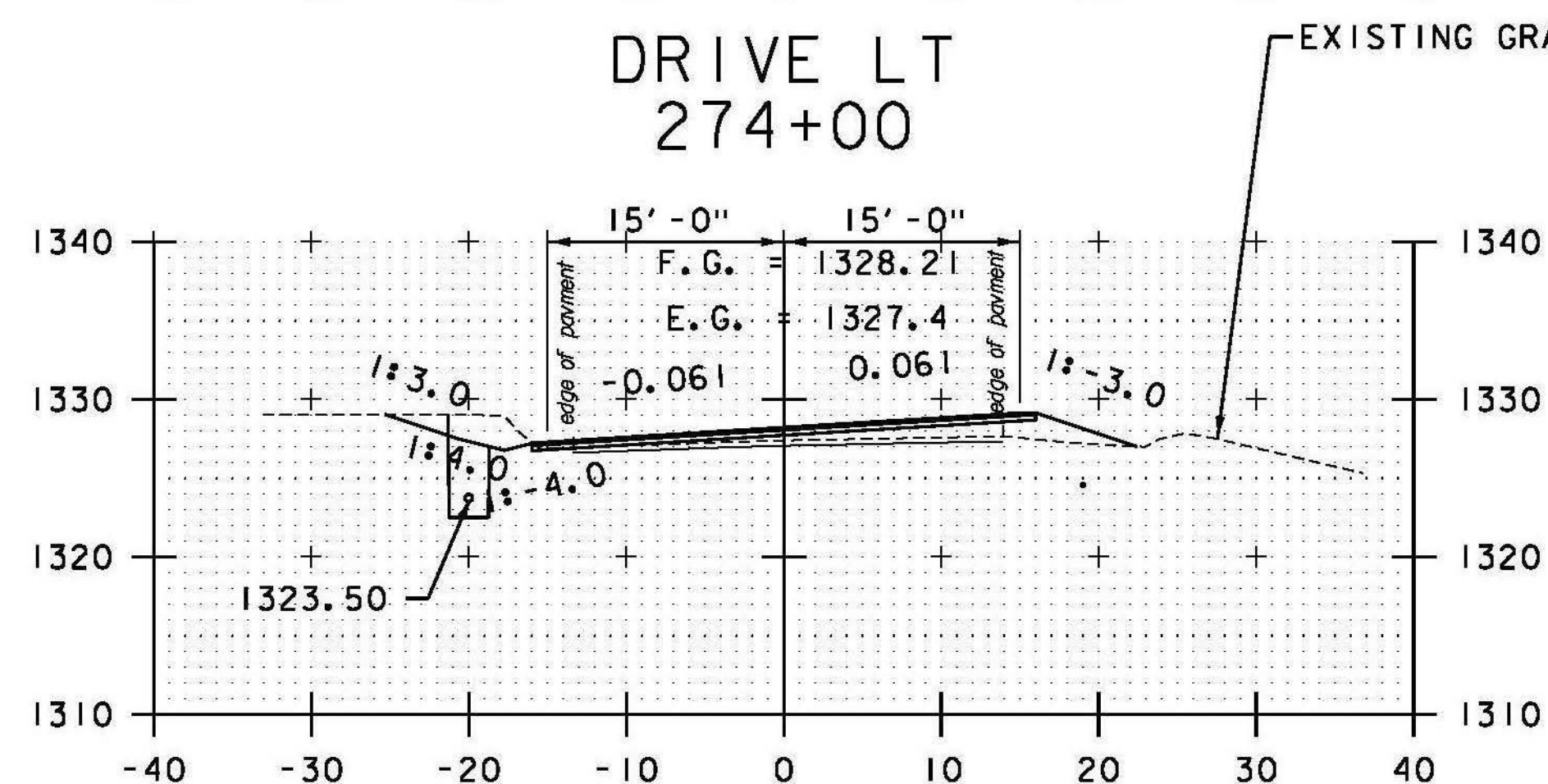
DRIVE LT  
274+00



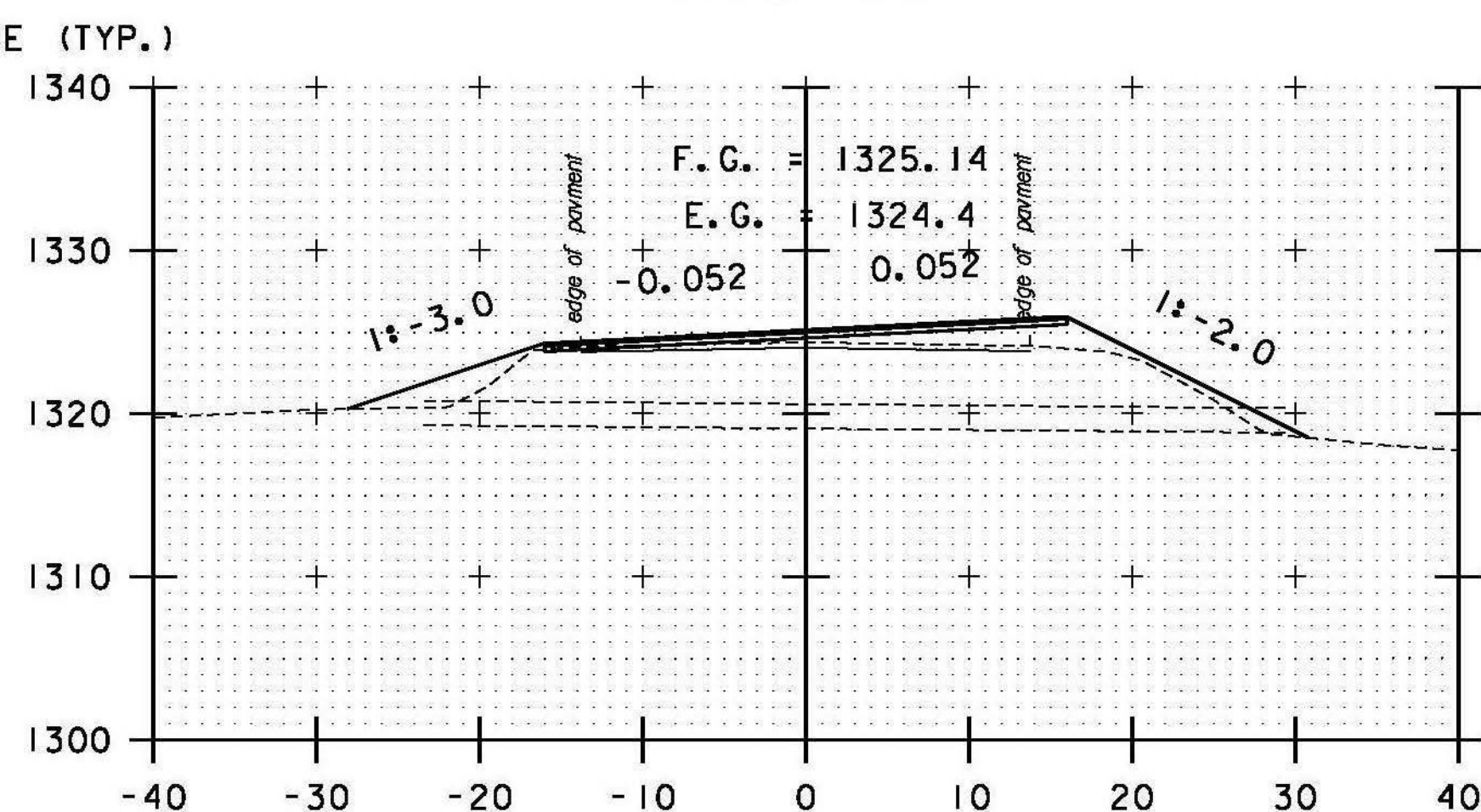
DRIVE LT  
275+50



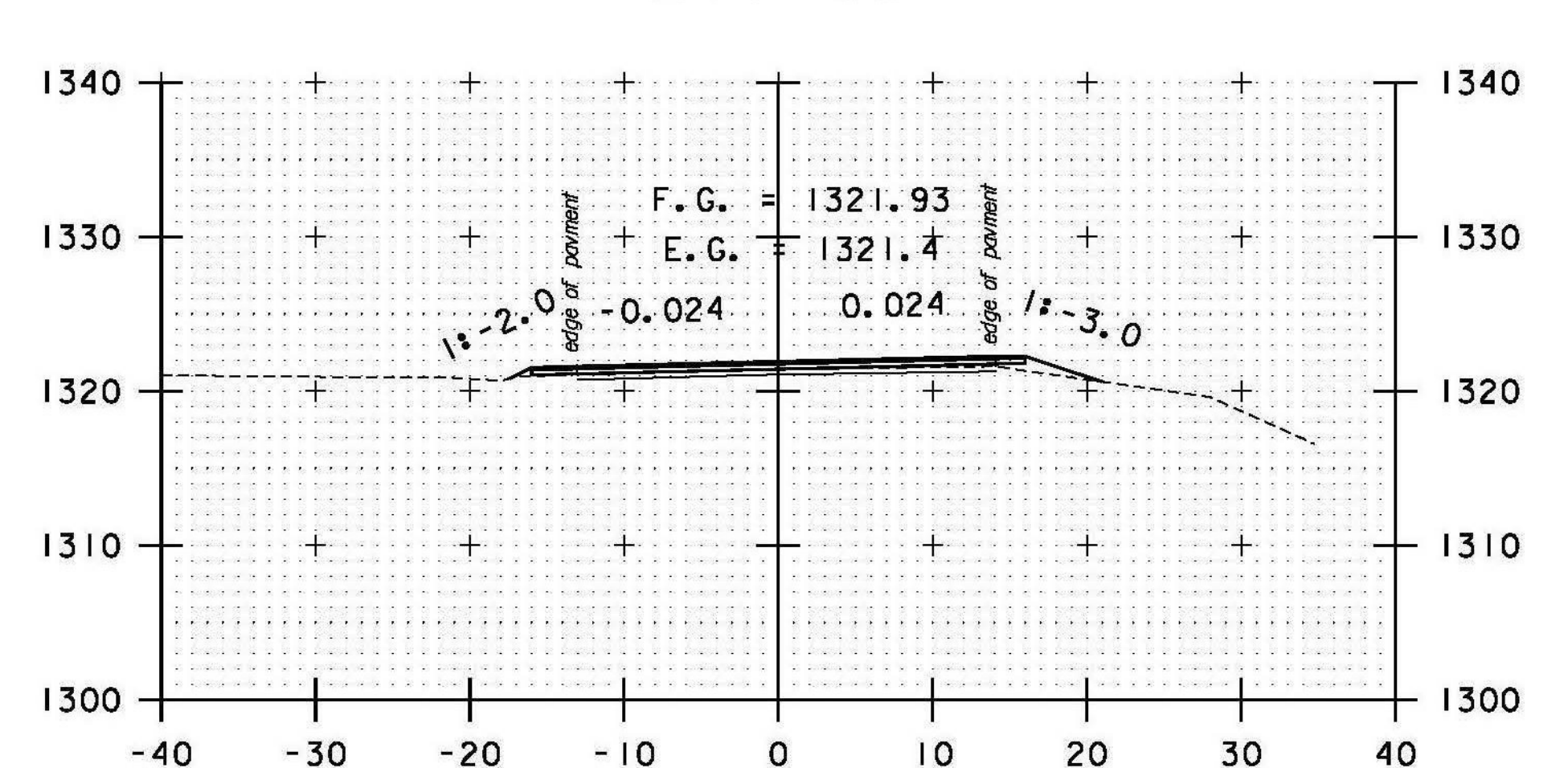
DRIVE LT  
277+00



273+50



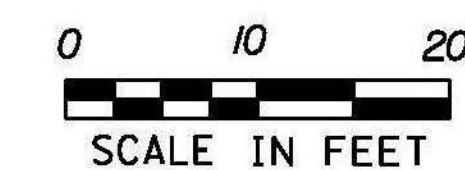
275+00



276+50

STA. 273+50 TO STA. 277+50

DATUM  
 VERTICAL NAVD 88  
 HORIZONTAL NAD 83 (07)



PROJECT NAME: RANDOLPH  
 PROJECT NUMBER: STP 2932 (1)

FILE NAME: z10c270.dgn  
 PROJECT LEADER: C. LATHROP  
 DESIGNED BY: B. BRESLEND  
 VT 66 CROSS SECTION SHEET 57

PLOT DATE: 6/5/2014  
 DRAWN BY: B. BRESLEND  
 CHECKED BY: C. LATHROP  
 SHEET 213 OF 276